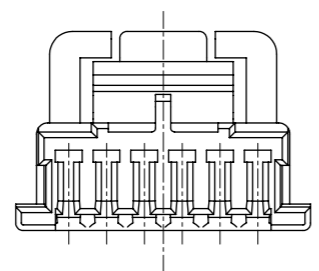
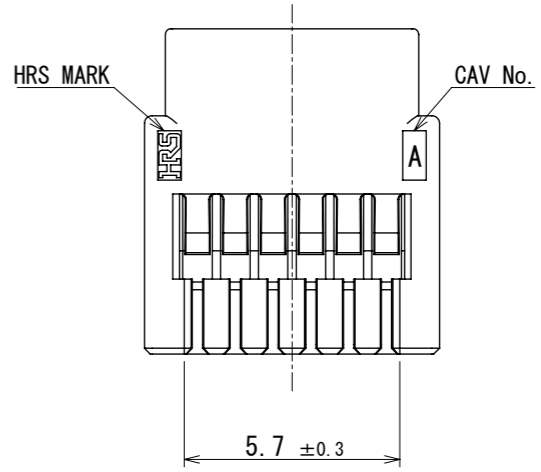
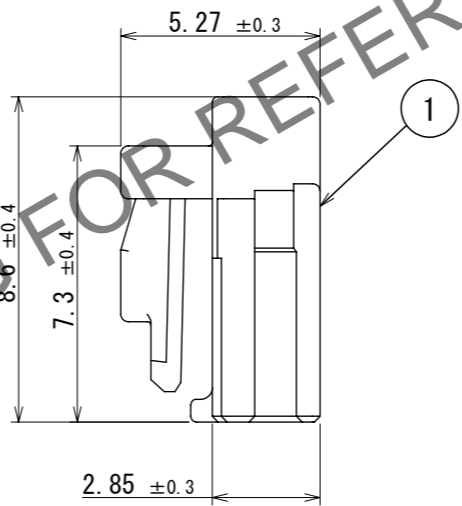
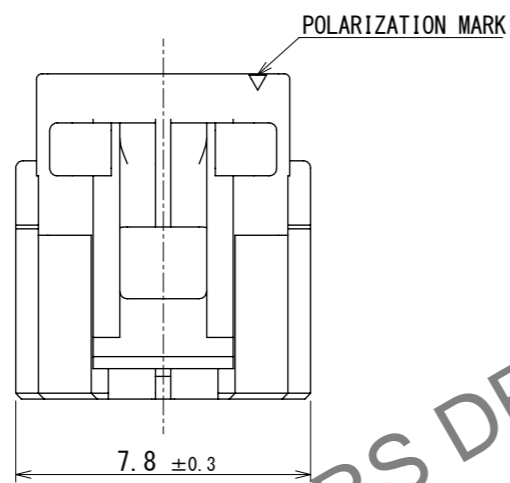
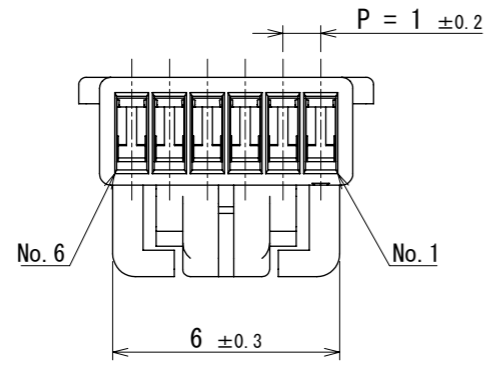


Aug.1.2024 Copyright 2024 HIROSE ELECTRIC CO., LTD. All Rights Reserved.  
In case of consideration for using Automotive equipment / device which demand high reliability, kindly contact our sales window correspondents.

ELV. RoHS COMPLIANT



NOTE 1. PER PACK : 100 PIECES

UNITS mm		SCALE 5:1	COUNT △	DESCRIPTION OF REVISIONS		DESIGNED	CHECKED	DATE
				APPROVED : AH. EDASHIGE 2023. 10. 12	DRAWING NO. EDC-392590-00-00			
				CHECKED : HH. TSUKUMO 2023. 10. 12	PART NO. GT50-6S-1C			
				DESIGNED : RS. TAKAGI 2023. 10. 11	CODE NO. CL0760-1007-0-00			
				DRAWN : RS. TAKAGI 2023. 10. 11				△ 1/1