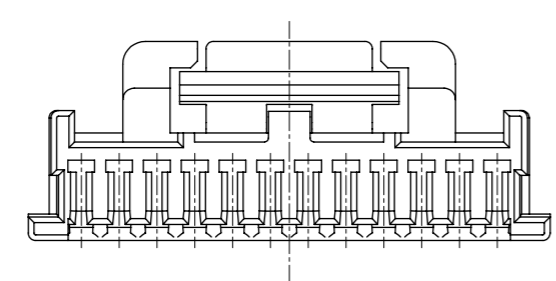
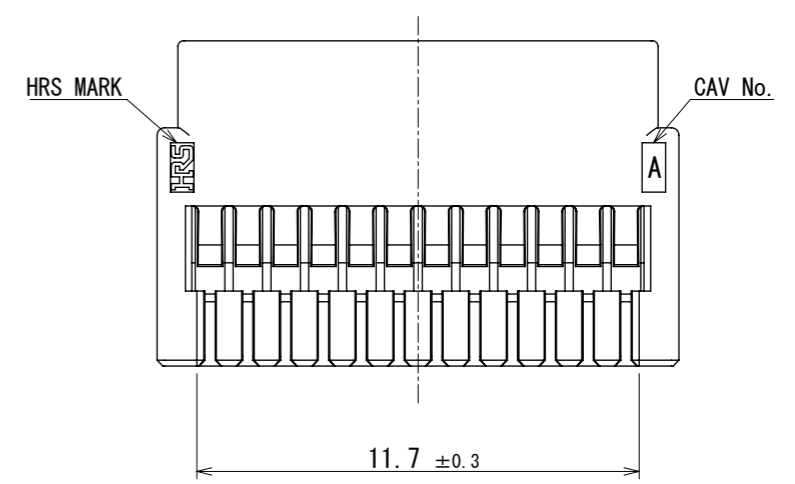
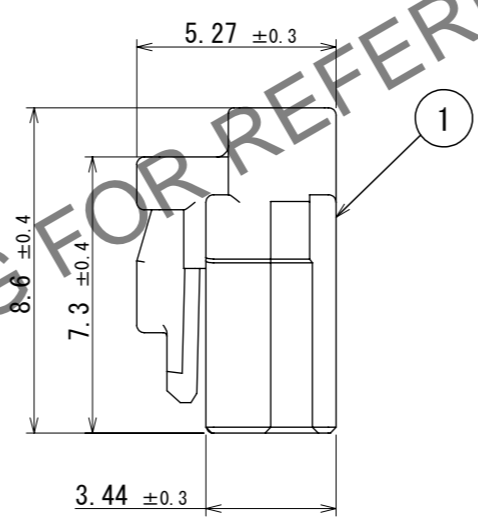
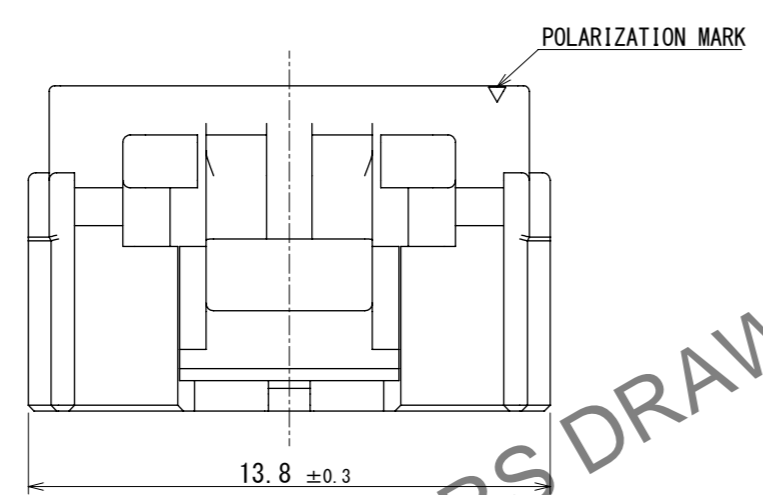
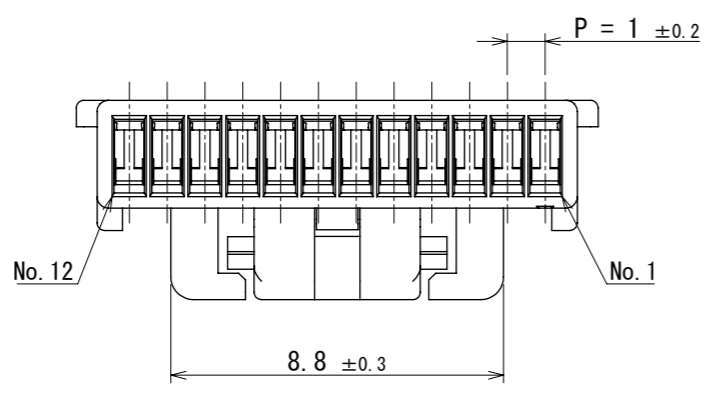


Aug.1.2024 Copyright 2024 HIROSE ELECTRIC CO., LTD. All Rights Reserved.
 In case of consideration for using Automotive equipment / device which demand high reliability, kindly contact our sales window correspondents.

ELV. RoHS COMPLIANT



NOTE 1. PER PACK : 100 PIECES

UNITS mm		SCALE 5:1	COUNT △	DESCRIPTION OF REVISIONS	DESIGNED	CHECKED	DATE	
					1	PBT	BLACK	
					NO.	MATERIAL	FINISH	REMARKS
APPROVED : AH. EDASHIGE 2023. 10. 12					DRAWING NO. EDC-392594-00-00			
CHECKED : HH. TSUKUMO 2023. 10. 12					PART NO. GT50-12S-1C			
DESIGNED : RS. TAKAGI 2023. 10. 11					CODE NO. CL0760-1011-0-00			
DRAWN : RS. TAKAGI 2023. 10. 11					1/1			