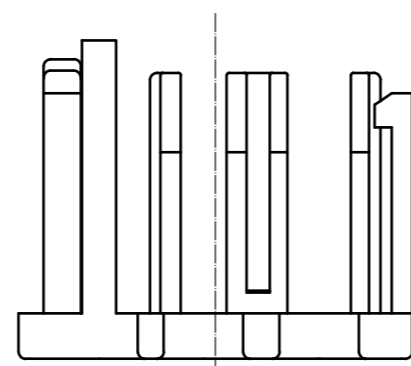
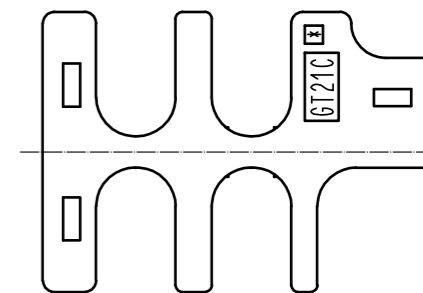
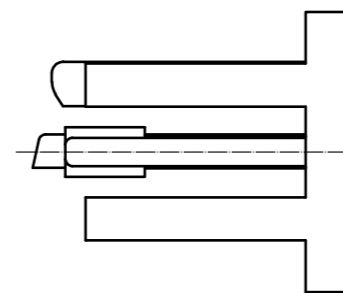
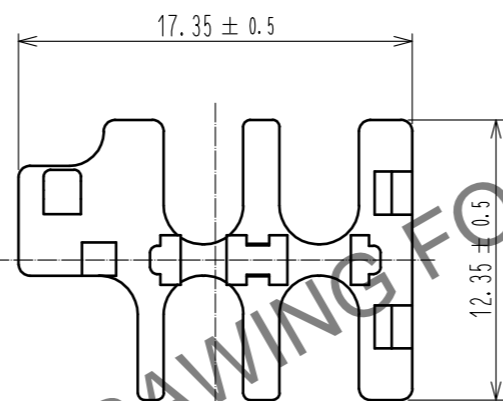
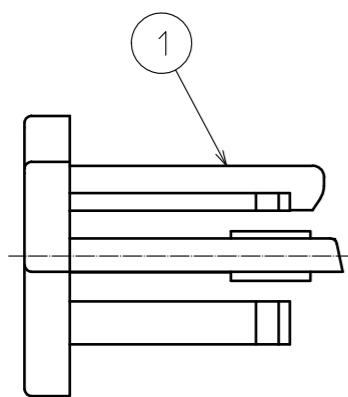
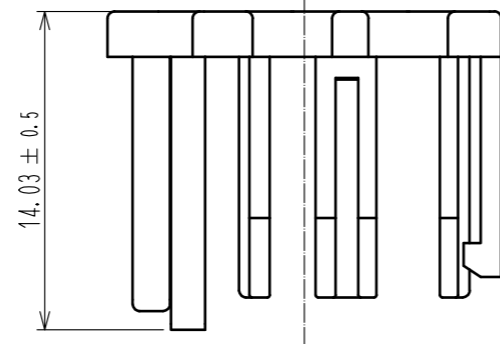


Jan.1.2025 Copyright 2025 HIROSE ELECTRIC CO., LTD. All Rights Reserved.
 In case of consideration for using Automotive equipment / device which demand high reliability, kindly contact our sales window correspondents.

ELV. RoHS COMPLIANT



HRS DRAWING FOR REFERENCE

1	PBT	BLACK				
NO.	MATERIAL	FINISH . REMARKS	NO.	MATERIAL	FINISH . REMARKS	
UNITS mm			SCALE 3 : 1	COUNT 	DESCRIPTION OF REVISIONS	DESIGNED CHECKED DATE
HRS	HIROSE ELECTRIC CO., LTD.	APPROVED : KI. HIROKAWA CHECKED : MO. OKADA DESIGNED : TK. SUZUKI DRAWN : TK. SUZUKI	18.08.10 18.08.10 18.08.10 18.08.10	DRAWING NO. PART NO. CODE NO.	EDC-377701-00-00 GT21C-4D/1P-R CL771-0098-0-00	
						1/1