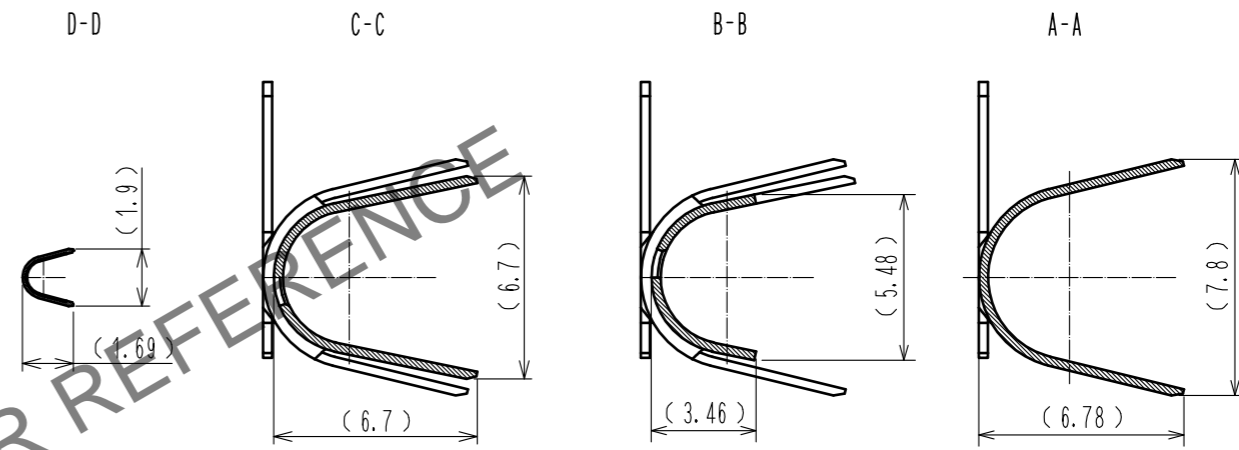
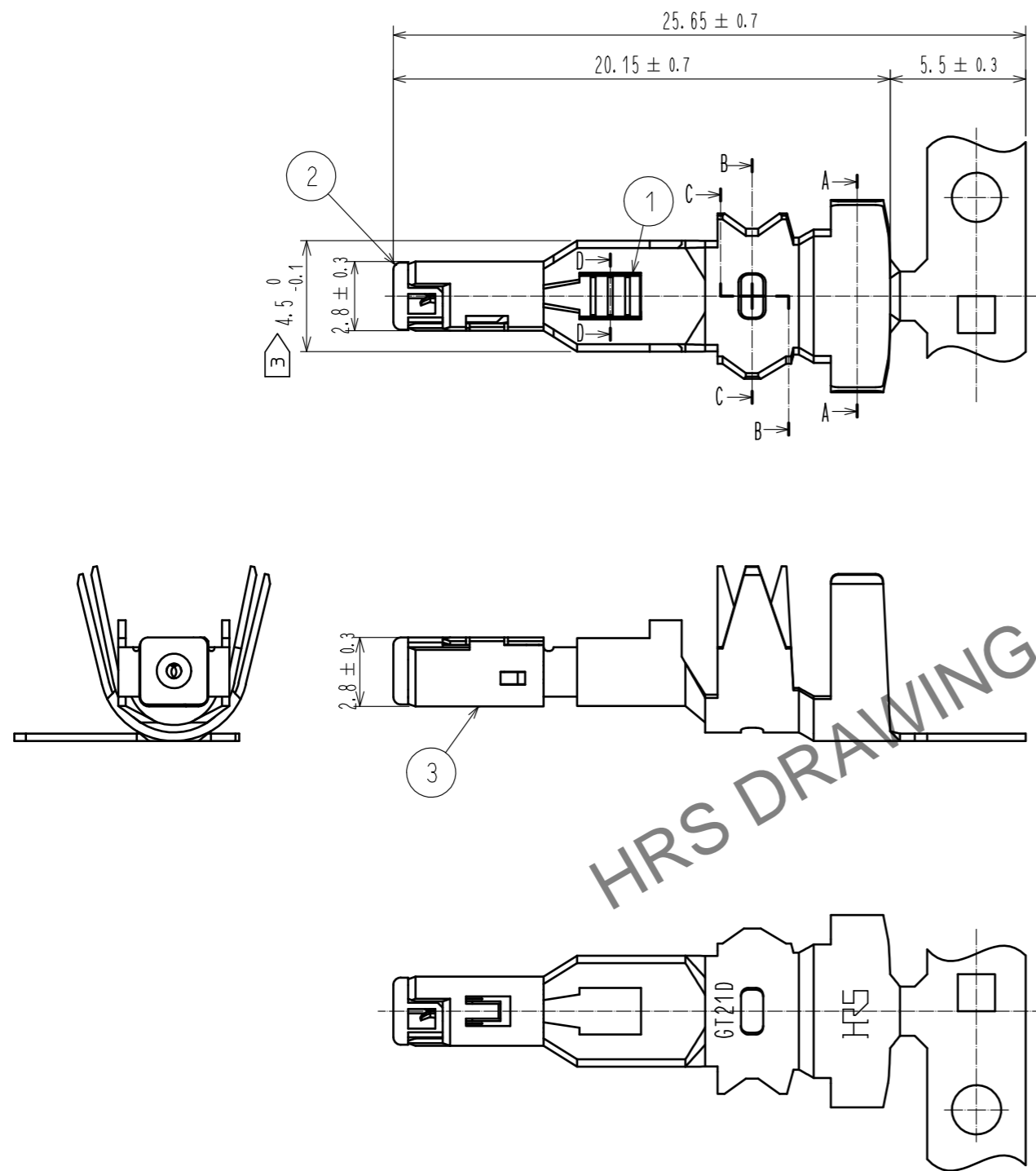


Dec.1.2024 Copyright 2024 HIROSE ELECTRIC CO., LTD. All Rights Reserved.  
In case of consideration for using Automotive equipment / device which demand high reliability, kindly contact our sales window correspondents.

ELV. RoHs COMPLIANT



- NOTES)
- PER REEL:1200 CONTACTS.
  - THIS REEL DIAMETER SHALL BE  $\phi 740$  AND CRIMPING MACHINE NEEDS ADDITIONAL PARTS AS CM105/RS-ED.
  - SHALL NOT BE DEFORMED AFTER CRIMPING.
  - WHEN WINDING UP THE REEL, THE JOINT OF THE CARRIER SHALL BE 6 OR LESS IN ONE REEL. THE WAY OF CONNECTING IS A WINDING METHOD. TERMINAL MISSING SHALL BE 25 PIECES OR LESS IN THE REEL, AND 3 PIECES OR LESS IN ONE PLACE. THERE SHALL BE AT LEAST 6 TERMINALS PER CARRIER.

2	PPS	BLACK			
1	COPPER ALLOY	TIN PLATING	3	COPPER ALLOY	TIN PLATING
NO.	MATERIAL	FINISH . REMARKS	NO.	MATERIAL	FINISH . REMARKS
UNITS mm		SCALE 4 : 1	COUNT 1	DESCRIPTION OF REVISIONS DIS-T-00004070	DESIGNED TK. SUZUKI
		APPROVED : KI. HIROKAWA	20180417	DRAWING NO.	EDC-382010-00-00
HIROSE ELECTRIC CO., LTD.		CHECKED : KI. HIROKAWA	20180417	PART NO.	GT21D-1822/F4-5SCF
		DESIGNED : TK. SUZUKI	20180417	CODE NO.	CL771-0111-0-00
		DRAWN : TK. SUZUKI	20180417		1/1