

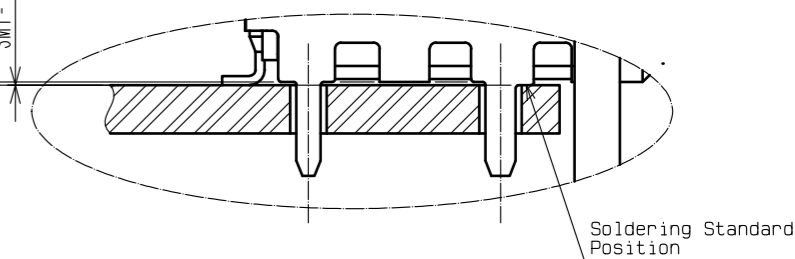
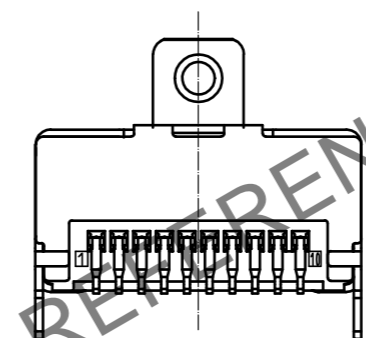
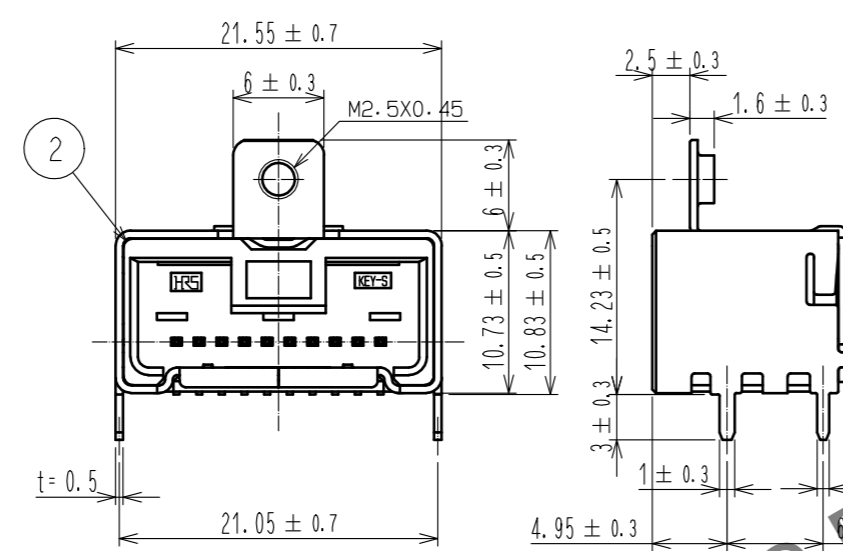
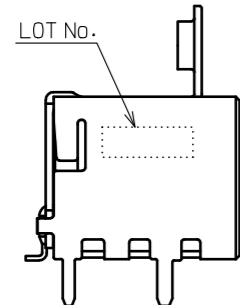
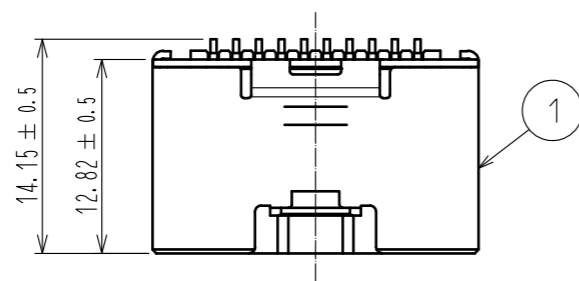
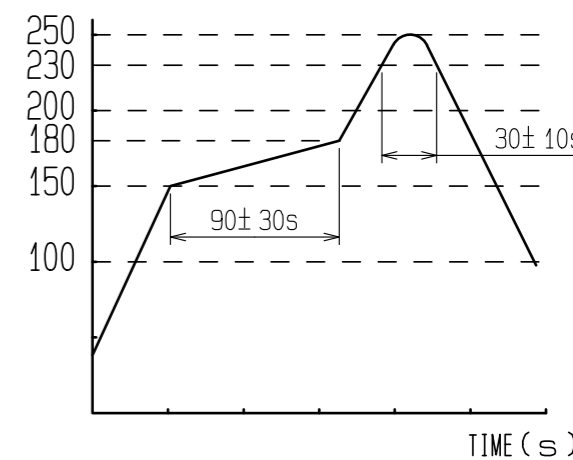
Jul.1.2024 Copyright 2024 HIROSE ELECTRIC CO., LTD. All Rights Reserved.
 In case of consideration for using Automotive equipment / device which demand high reliability, kindly contact our sales window correspondents.

ELV, RoHS COMPLIANT

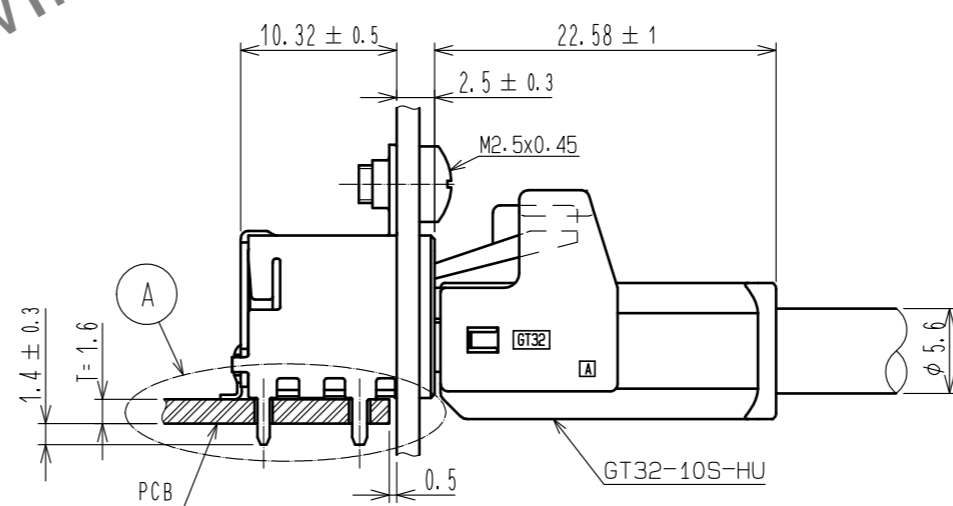
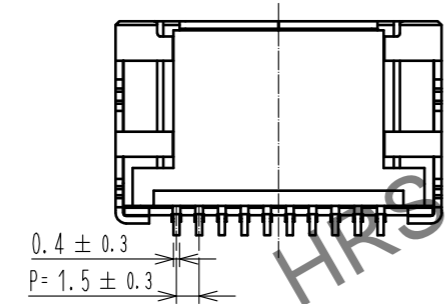
NOTES

- RECOMMENDED REFLOW PROFILE (SEE RIGHT GRAPH)
 TYPE: IR REFLOW
 ATMOSPHERE: AIR OR N2
 CYCLE TIME: UP TO 2 CYCLES OF REFLOW SOLDERING ARE POSSIBLE UNDER THE CONDITIONS, PROVIDED THAT THERE IS A RETURN TO NOMAL TEMPERATURE BETWEEN THE FIRST AND SECOND CYCLE.
 PEAK TEMPERATURE: 250°C
 230°C MIN. FOR 20 TO 40 SECONDS.
 PREHEATING AREA 150~180°C FOR 60 TO 120 SECONDS.
- HAND SOLDERING: 280-300°C, 2S MAX.
- CONTACT COPLANARITY: 0.1mm MAX.
- RECOMMENDED THICKNESS OF PCB: 1.6mm
- RECOMMENDED THICKNESS OF SOLDERING PASTE: 0.15mm

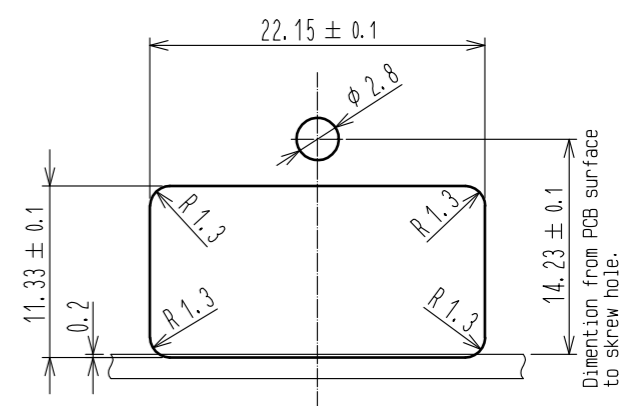
TEMP. (°C)



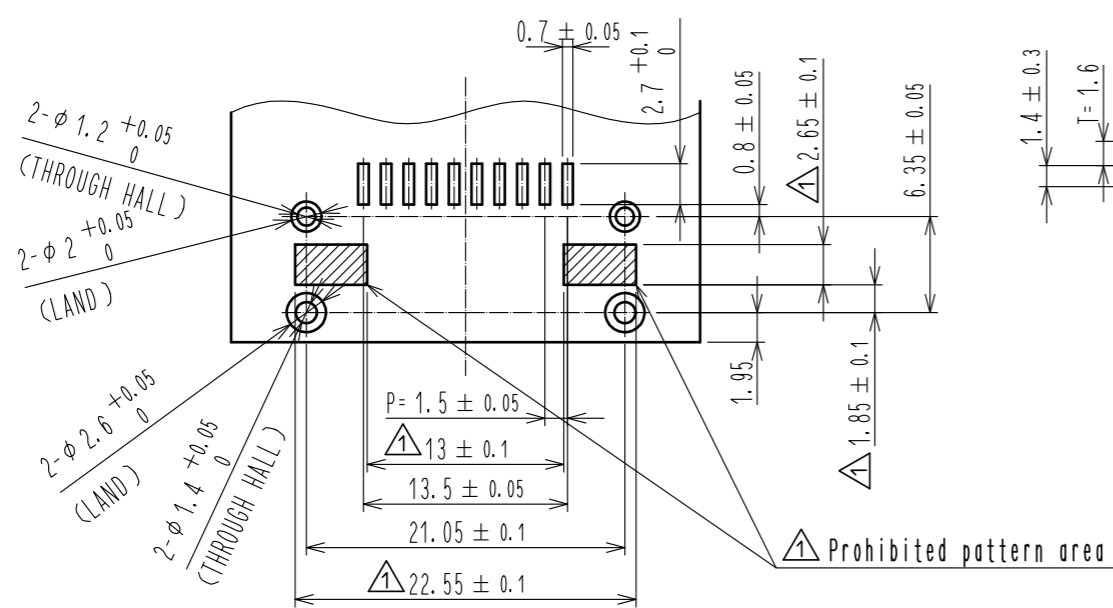
A (4:1)



MATED CONECTERS



RECOMMENDED PANNEL LAYOUT



RECOMMENDED PCB LAYOUT

2	PPS	LIGHT GRAY			
1	COPPER ALLOY	TIN PLATED	3	BRASS	TIN PLATED
NO.	MATERIAL	FINISH . REMARKS	NO.	MATERIAL	FINISH . REMARKS
UNITS	mm	SCALE	COUNT	DESCRIPTION OF REVISIONS	
		2 : 1	1	DIS-T-00001389	
APPROVED : AR. SHIRAI		11.03.25		DESIGNED	
CHECKED : NH. NAKATA		11.03.24		CHECKED	
DESIGNED : TS. KUBOTA		11.03.18		DATE	
DRAWN : TS. KUBOTA		11.03.18		16.08.24	
DRAWING NO.			EDC3-168176-00		
PART NO.			GT32-10P-1.5H		
CODE NO.			CL782-0001-1-00		
			1/2		

Jul.1.2024 Copyright 2024 HIROSE ELECTRIC CO., LTD. All Rights Reserved.
In case of consideration for using Automotive equipment / device which demand high reliability, kindly contact our sales window correspondents.

△ PACKAGE SPECIFICATIONS

- ①. Place the connectors into the tray. (Cf. Figure of tray shape)
QTY per tray: 77pcs
- ②. Put the tray for six steps in turn and wind up a PP band.
Top(the sixth step) is an empty tray.
- ③. Put it in a cardboard box (W=270 H=150 D=360)
QTY per cardboard: 385 pcs

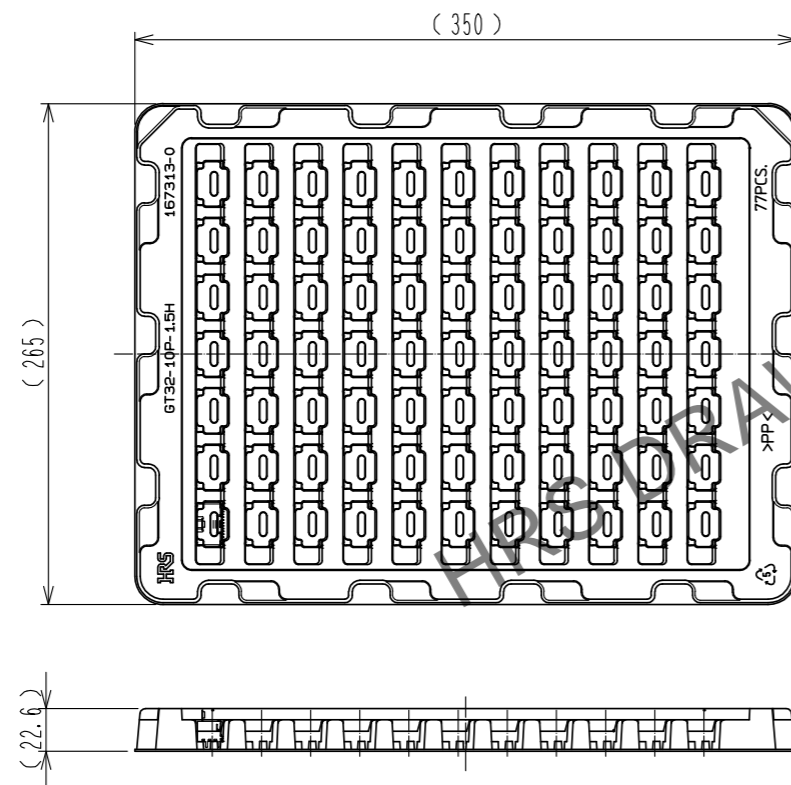


Figure of tray shape (1:4)

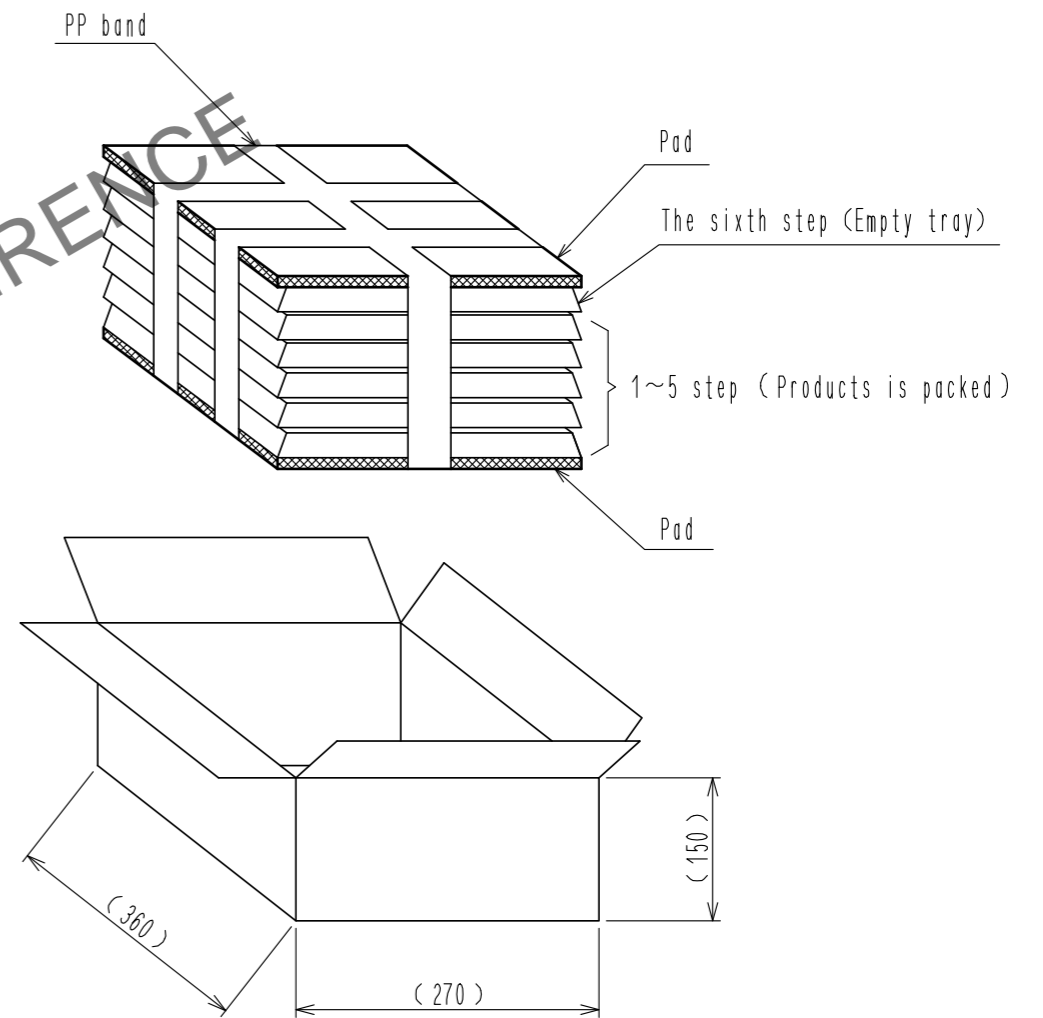


Figure of packing



図番:	EDC3-168176-00
製品名:	GT32-10P-1.5H
製品コード:	CL782-0001-1-00