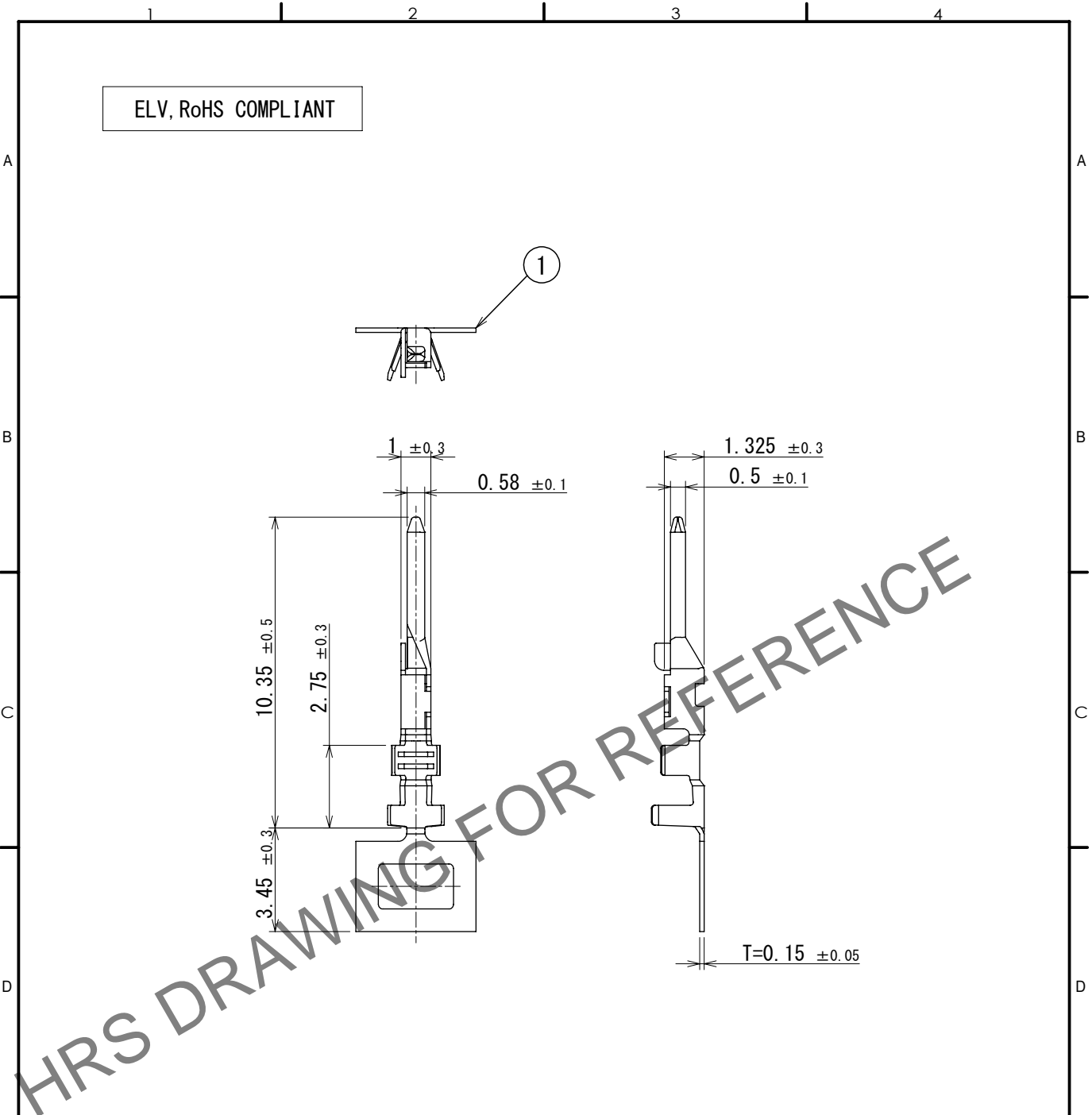


Jul.1.2024 Copyright 2024 HIROSE ELECTRIC CO., LTD. All Rights Reserved.
 In case of consideration for using Automotive equipment / device which demand high reliability, kindly contact our sales window correspondents.



- NOTE 1. PER REEL : 10000 CONTACTS
 2. REGARDING HOW TO HANDLE THE PACKAGED PRODUCTS, PLEASE REFER TO THE ATAD-T0946-00 「INSTRUCTION MANUAL FOR HANDLING OF REEL PACKAGING CONTAINING CRIMP TERMINALS」

1	BRASS	TIN PLATED						
NO.	MATERIAL	FINISH	REMARKS	NO.	MATERIAL	FINISH	REMARKS	
F	UNITS mm		SCALE 5:1	COUNT 2	DESCRIPTION OF REVISIONS DIS-T-00018501	DESIGNED KN. YANAGIMOTO	CHECKED EJ. WAKATSUKI	DATE 2023.08.04
HIROSE ELECTRIC CO., LTD.		APPROVED : NH. NAKATA	2015.06.18	DRAWING NO. EDC-359508-00-00				
		CHECKED : KI. HIROKAWA	2015.06.18	PART NO. GT32A-2428PCF				
		DESIGNED : KK. FURUKAWA	2015.06.18	CODE NO. CL0782-0050-7-00				
		DRAWN : KK. FURUKAWA	2015.06.18			2 / 1		