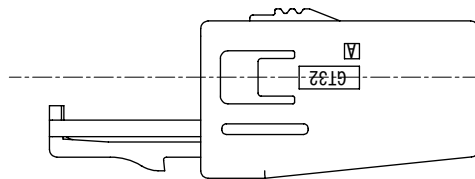
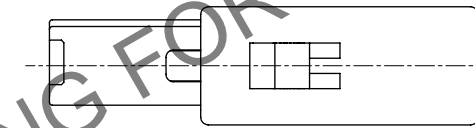
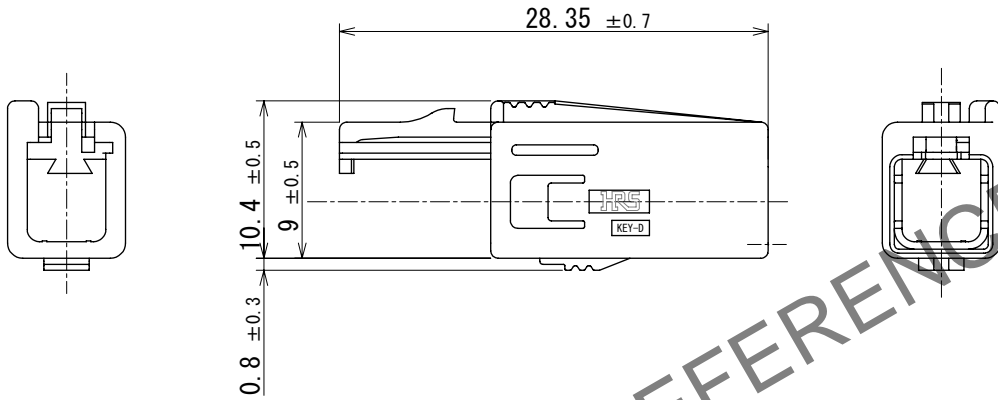
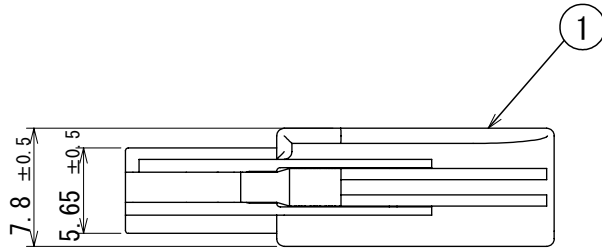


Jul.1.2024 Copyright 2024 HIROSE ELECTRIC CO., LTD. All Rights Reserved.  
 In case of consideration for using Automotive equipment / device which demand high reliability, kindly contact our sales window correspondents.

ELV, RoHS COMPLIANT



HRS DRAWING FOR REFERENCE

1	PBT	BLACK						
NO.	MATERIAL	FINISH	REMARKS	NO.	MATERIAL	FINISH	REMARKS	
UNITS mm		SCALE 2:1	COUNT 0	DESCRIPTION OF REVISIONS DIS-T-00018494		DESIGNED KN. YANAGIMOTO	CHECKED EJ. WAKATSUKI	DATE 2023.08.10
HIROSE ELECTRIC CO., LTD.		APPROVED : NH. NAKATA	2015.09.10	DRAWING NO.		EDC-361249-00-00		
		CHECKED : NH. NAKATA	2015.09.10	PART NO.		GT32-4DS-HU (D)		
		DESIGNED : NK. IKUTA	2015.09.10	CODE NO.		CL0782-0058-9-00		
		DRAWN : NK. IKUTA	2015.09.10			1/1		