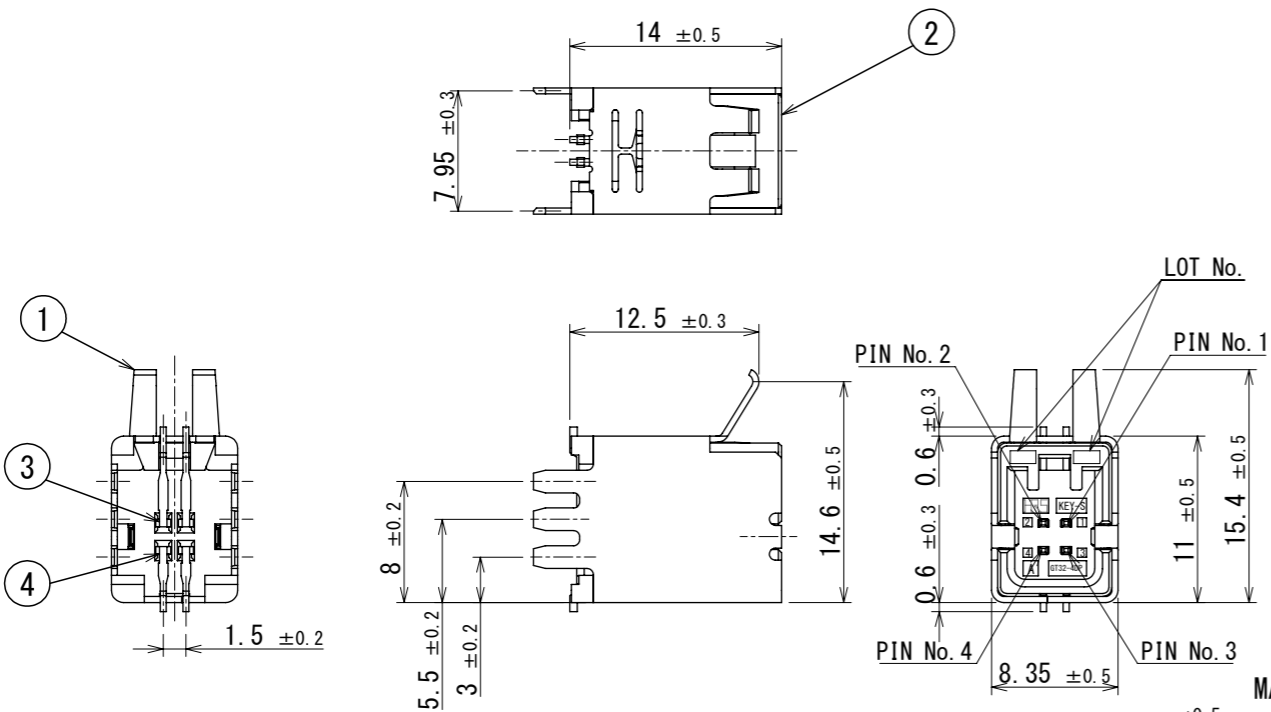
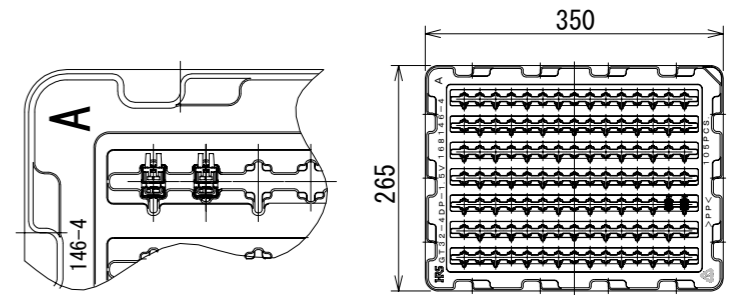
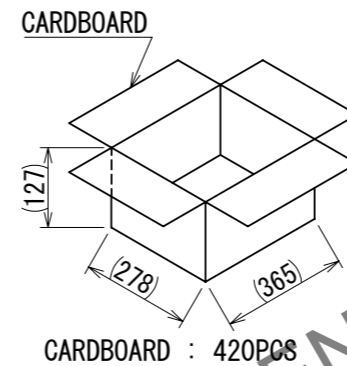
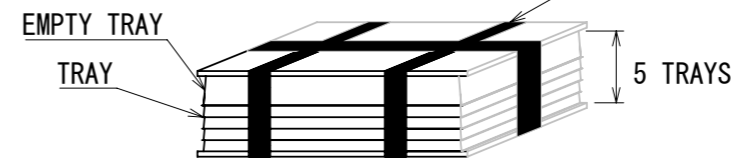


Jul.1.2024 Copyright 2024 HIROSE ELECTRIC CO., LTD. All Rights Reserved.
 In case of consideration for using Automotive equipment / device which demand high reliability, kindly contact our sales window correspondents.

RoHS, ELV COMPLIANT

PACKING STYLE

5 TRAYS STACKING.
 STACK TRAY A(168146-4) AND TRAY B(168176-0) STAGGERED.
 TOP TRAY IS EMPTY.



MATED CONNECTORS

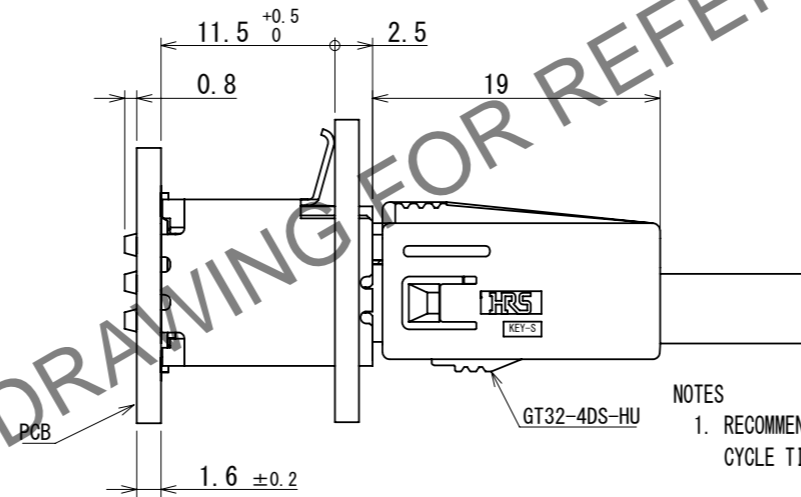
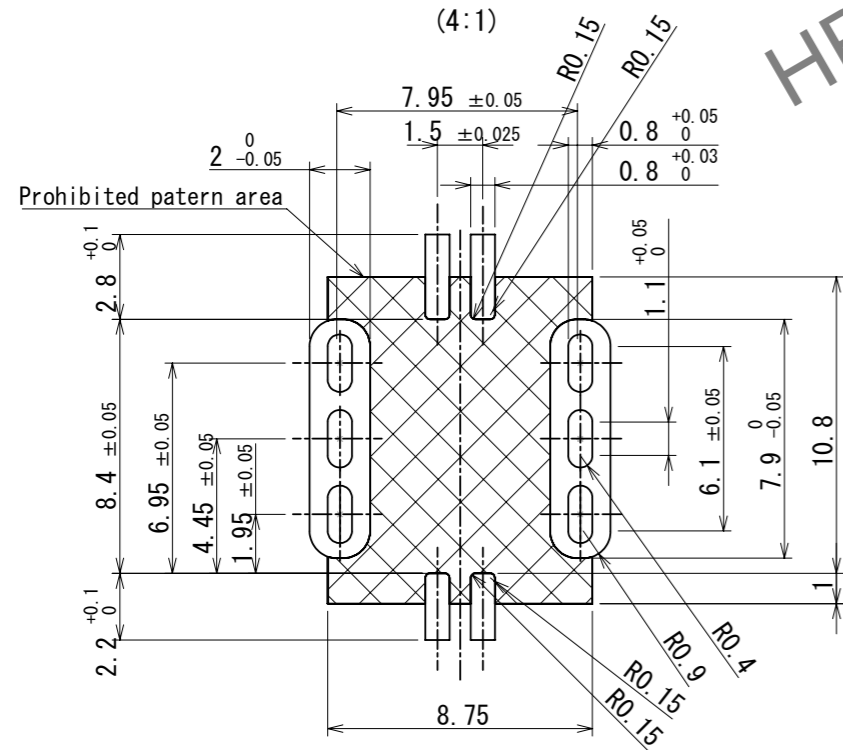


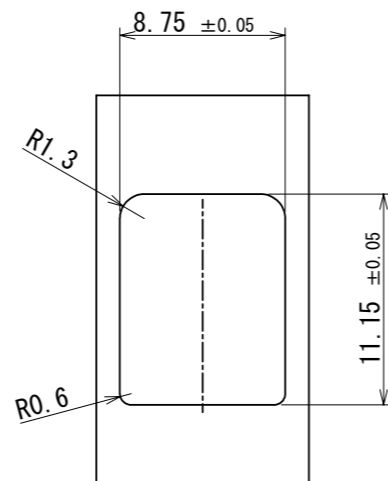
Fig. ADDED A PICK & PLACE TAPE



RECOMMENDED PCB LAYOUT (4:1)



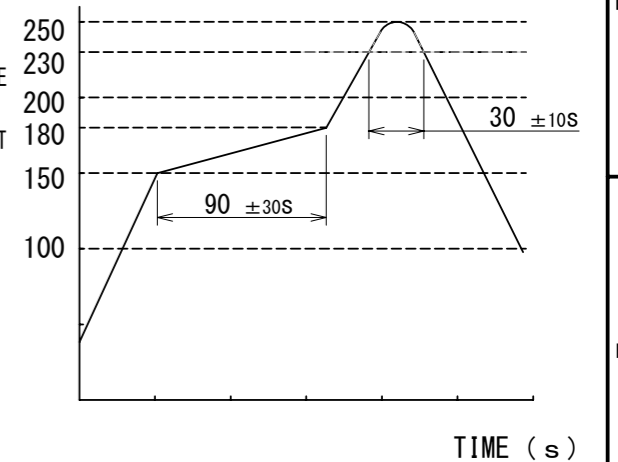
RECOMMENDED PANEL CUTOUT



NOTES

- RECOMMENDED REFLOW PROFILE (SEE RIGHT GRAPH)
 CYCLE TIME: UP TO 2 CYCLES OF REFLOW SOLDERING ARE POSSIBLE UNDER THE CONDITIONS, PROVIDED THAT THERE IS A RETURN TO NORMAL TEMPERATURE BETWEEN THE FIRST AND SECOND CYCLE.
 PEAK TEMPERATURE: 250°C
 230°C MIN. FOR 20 TO 40 SECONDS.
 PREHEATING AREA 150~180°C FOR 60 TO 120 SECONDS.
- HAND SOLDERING: 280~300°C, 2SECONDS MAX.
- CONTACT COPLANARITY: 0.1mm MAX.
- RECOMMENDED THICKNESS OF PCB: 1.6mm
- RECOMMENDED THICKNESS OF SOLDERING PASTE: 0.12mm

TEMP. (°C)



3	BRASS	TIN PLATING					
2	PA	DARK GRAY	5	POLYIMIDE	PICK & PLACE TAPE		
1	COPPER ALLOY	TIN PLATING	4	BRASS	TIN PLATING		
NO.	MATERIAL	FINISH	REMARKS	NO.	MATERIAL	FINISH	REMARKS
UNITS	mm	SCALE	2:1	COUNT	0	DESCRIPTION OF REVISIONS	DESIGNED
						DIS-T-00018480	KN. YANAGIMOTO
							CHECKED
							EJ. WAKATSUKI
							DATE
							2023.07.03
APPROVED : NH. NAKATA 2015.05.15				DRAWING NO. EDC-361305-00-00			
CHECKED : KI. HIROKAWA 2015.05.15				PART NO. GT32-4DP-1.5V			
DESIGNED : NK. IKUTA 2015.05.15				CODE NO. CL0782-0060-0-00			
DRAWN : NK. IKUTA 2015.05.15							