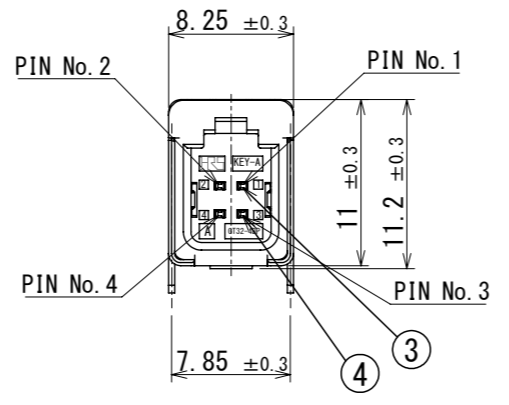
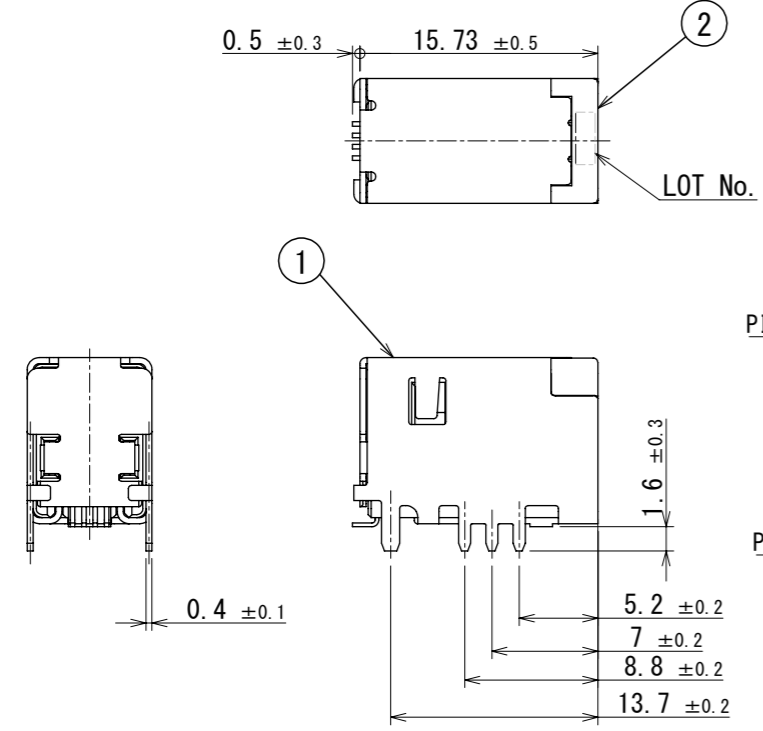
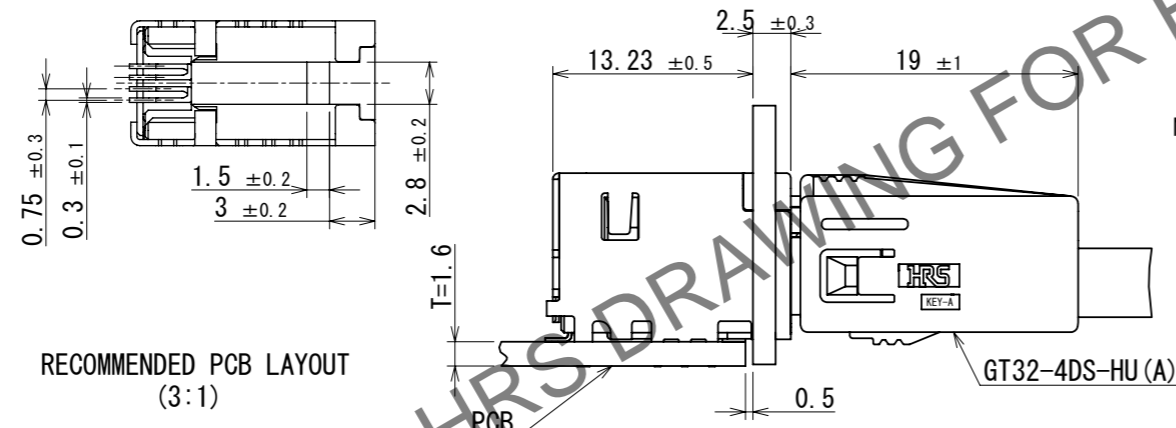


Jun.1.2024 Copyright 2024 HIROSE ELECTRIC CO., LTD. All Rights Reserved.
In case of consideration for using Automotive equipment / device which demand high reliability, kindly contact our sales window correspondents.

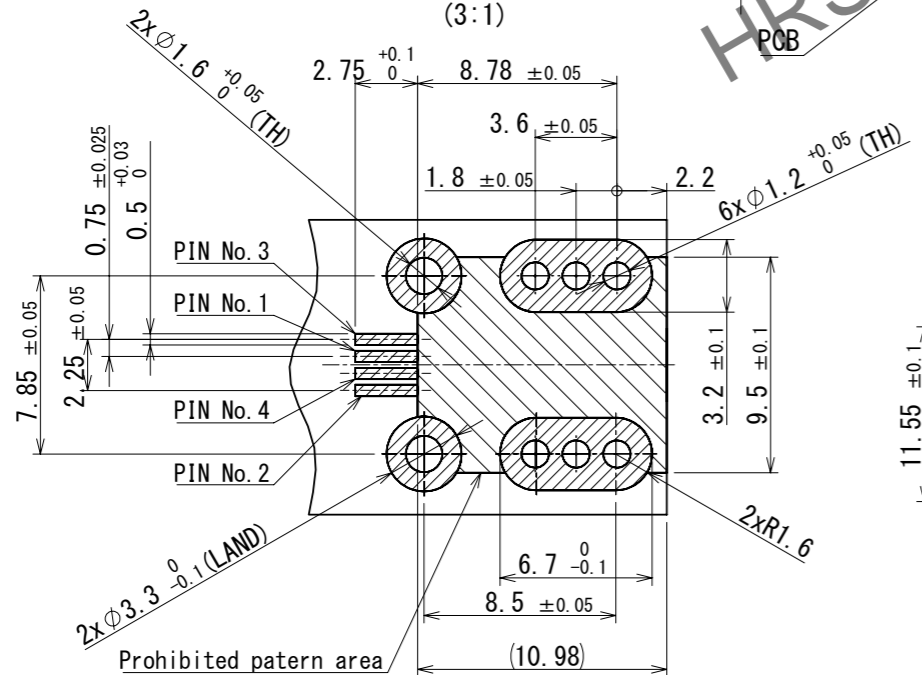
RoHS, ELV COMPLIANT



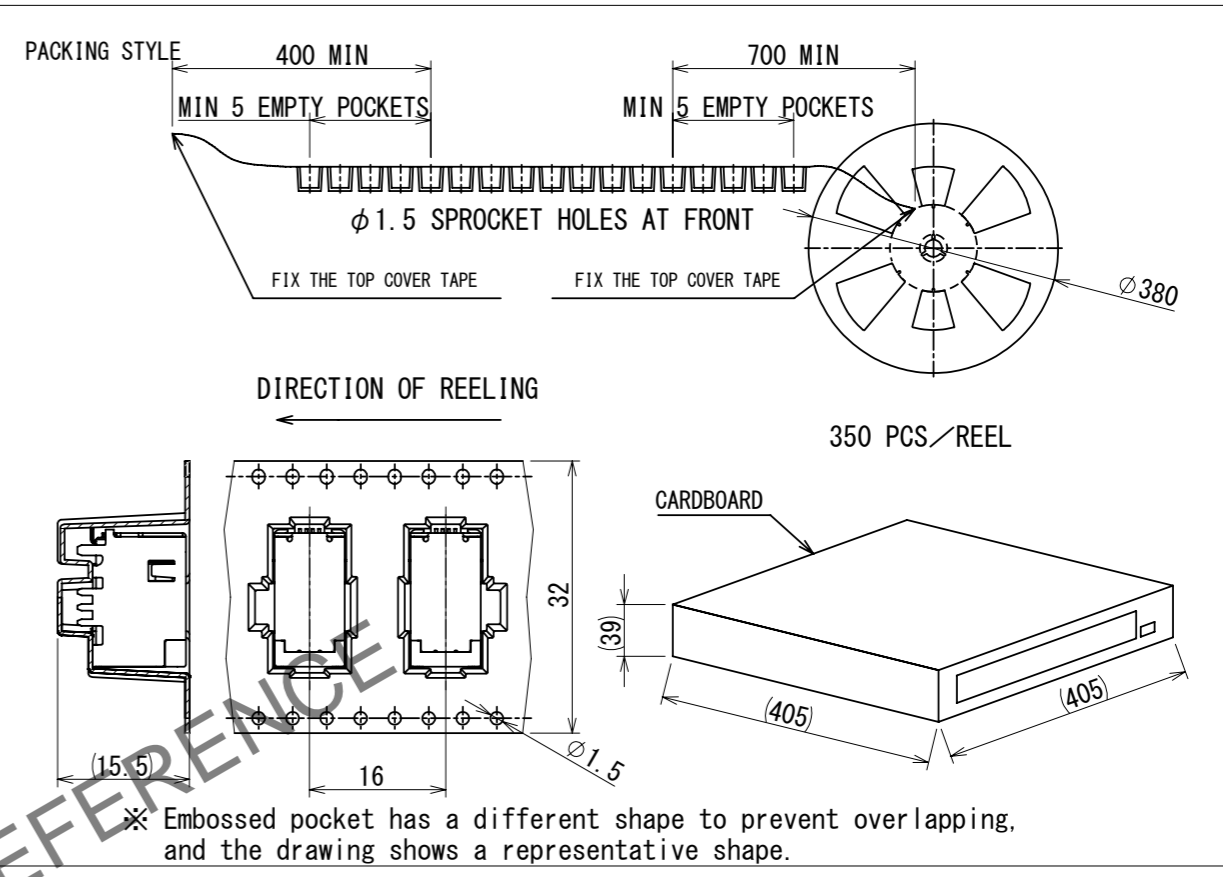
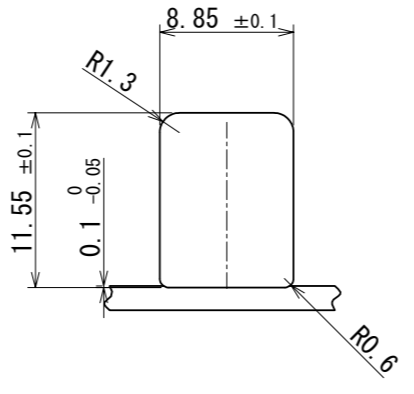
MATED CONNECTORS



RECOMMENDED PCB LAYOUT (3:1)



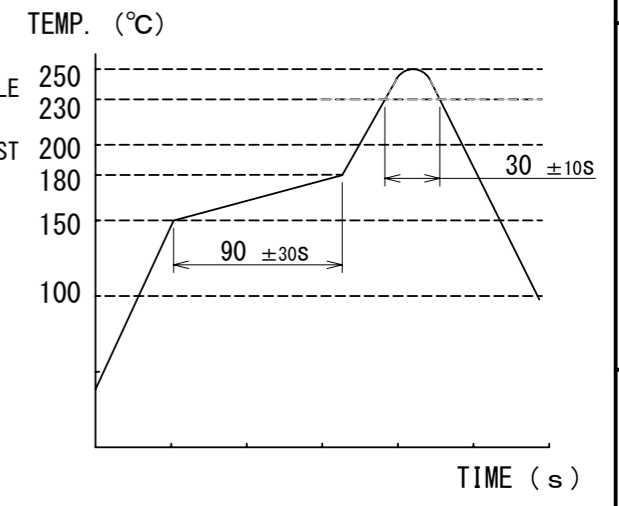
RECOMMENDED PANEL CUTOUT



※ Embossed pocket has a different shape to prevent overlapping, and the drawing shows a representative shape.

NOTES

- RECOMMENDED REFLOW PROFILE (SEE RIGHT GRAPH)
CYCLE TIME: UP TO 2 CYCLES OF REFLOW SOLDERING ARE POSSIBLE UNDER THE CONDITIONS, PROVIDED THAT THERE IS A RETURN TO NORMAL TEMPERATURE BETWEEN THE FIRST AND SECOND CYCLE.
PEAK TEMPERATURE: 250°C
230°C MIN, FOR 20 TO 40 SECONDS.
PREHEATING AREA 150~180°C FOR 60 TO 120 SECONDS.
- HAND SOLDERING: 280~300°C, 2SECONDS MAX.
- CONTACT COPLANARITY: 0.1mm MAX.
- RECOMMENDED THICKNESS OF PCB: 1.6mm
- RECOMMENDED THICKNESS OF SOLDERING PASTE: 0.12mm



2	PA	BROWN	4	BRASS	TIN PLATING				
1	COPPER ALLOY	TIN PLATING	3	BRASS	TIN PLATING				
NO.	MATERIAL	FINISH	REMARKS	NO.	MATERIAL	FINISH	REMARKS		
UNITS	mm	SCALE	2:1	COUNT	0	DESCRIPTION OF REVISIONS	DESIGNED	CHECKED	DATE
				DIS-T-00018463		KN. YANAGIMOTO	EJ. WAKATSUKI	2023.07.04	
APPROVED : AR. SHIRAI		2019.01.11		DRAWING NO.		EDC-361827-12-01			
CHECKED : TH. MIZUGUCHI		2019.01.10		PART NO.		GT32-4DP-1.5H(A) (12)			
DESIGNED : TS. KUBOTA		2019.01.10		CODE NO.		CL0782-0061-3-12			
DRAWN : TS. KUBOTA		2019.01.10							



HIROSE ELECTRIC CO., LTD.