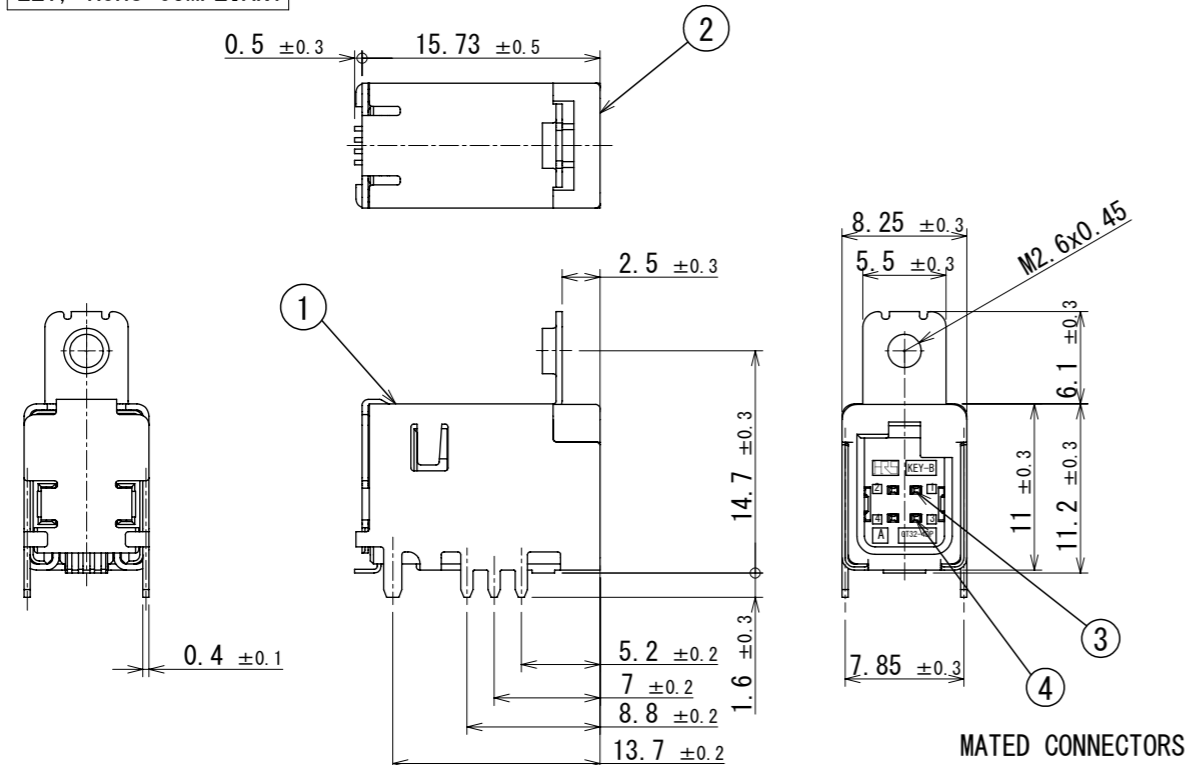
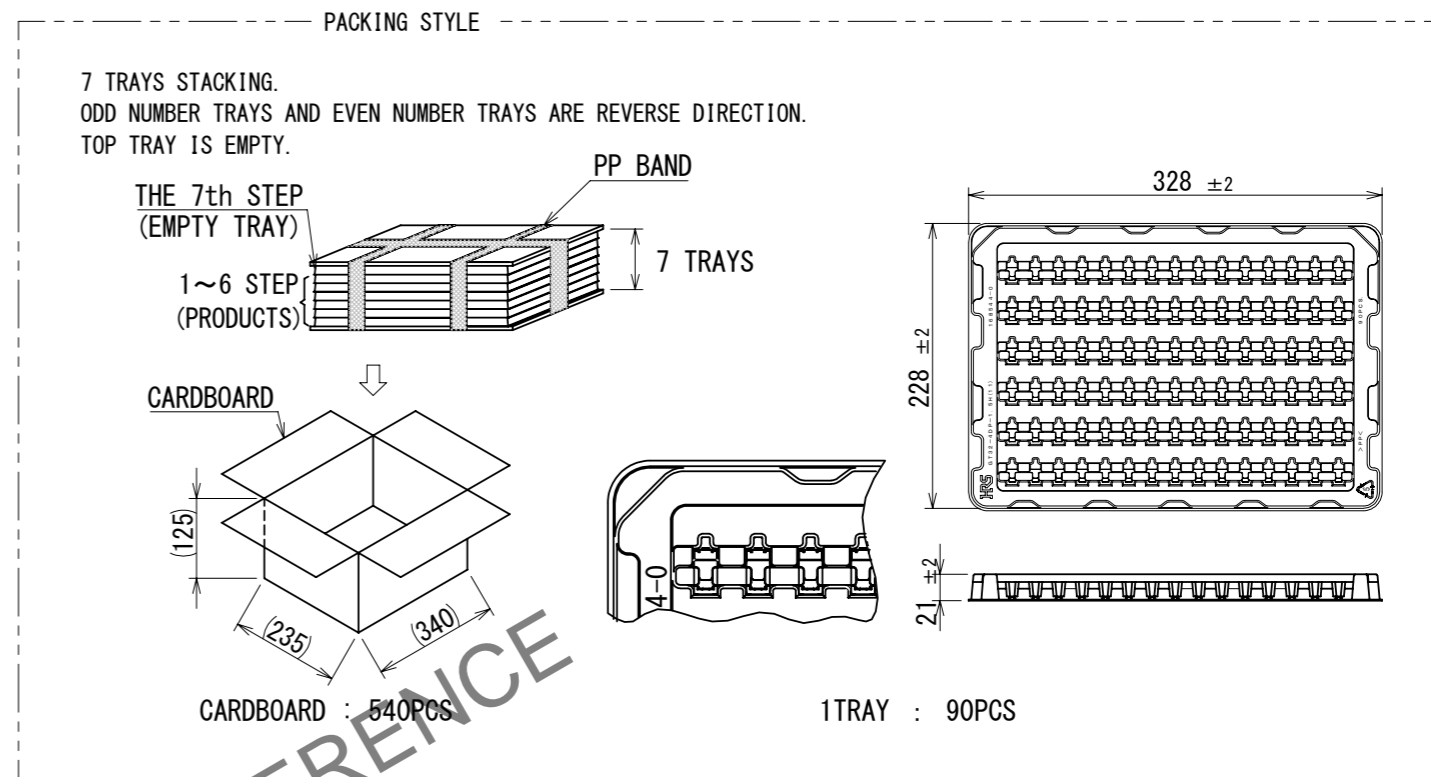


May.1.2024 Copyright 2024 HIROSE ELECTRIC CO., LTD. All Rights Reserved.
In case of consideration for using Automotive equipment / device which demand high reliability, kindly contact our sales window correspondents.

ELV, RoHS COMPLIANT

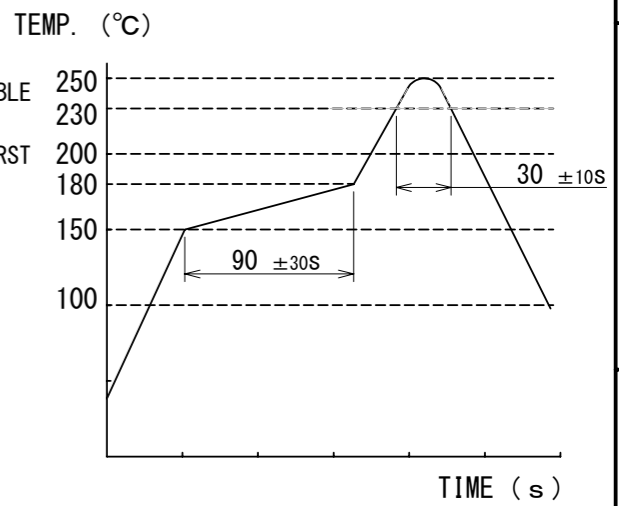


MATED CONNECTORS

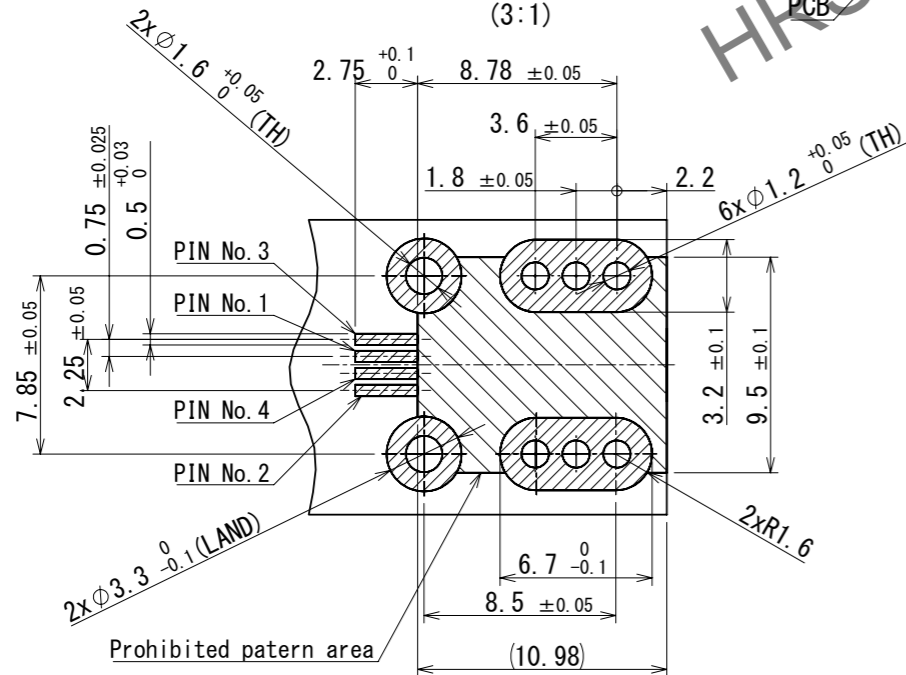


NOTES

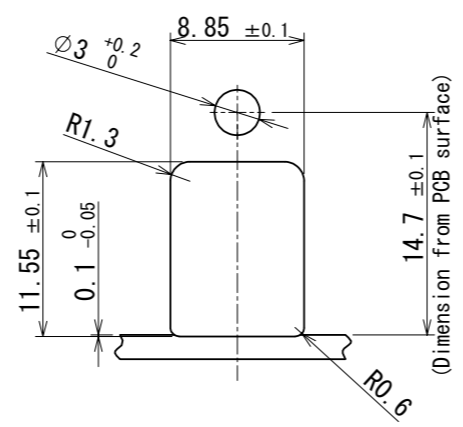
1. RECOMMENDED REFLOW PROFILE (SEE RIGHT GRAPH)
CYCLE TIME: UP TO 2 CYCLES OF REFLOW SOLDERING ARE POSSIBLE UNDER THE CONDITIONS, PROVIDED THAT THERE IS A RETURN TO NORMAL TEMPERATURE BETWEEN THE FIRST AND SECOND CYCLE.
PEAK TEMPERATURE: 250°C
230°C MIN. FOR 20 TO 40 SECONDS.
PREHEATING AREA 150~180°C FOR 60 TO 120 SECONDS.
2. HAND SOLDERING: 280~300°C, 2SECONDS MAX.
3. CONTACT COPLANARITY: 0.1mm MAX.
4. RECOMMENDED THICKNESS OF PCB: 1.6mm
5. RECOMMENDED THICKNESS OF SOLDERING PASTE: 0.12mm



RECOMMENDED PCB LAYOUT (3:1)



RECOMMENDED PANEL CUTOUT



| | | | | | | | | | |
|------------------------------------|--------------|-------------|---------|-------------|-------------|--------------------------|----------|---------|------|
| 2 | PA | GREEN | 4 | BRASS | TIN PLATING | | | | |
| 1 | COPPER ALLOY | TIN PLATING | 3 | BRASS | TIN PLATING | | | | |
| NO. | MATERIAL | FINISH | REMARKS | NO. | MATERIAL | FINISH | REMARKS | | |
| UNITS | mm | SCALE | 2:1 | COUNT | 0 | DESCRIPTION OF REVISIONS | DESIGNED | CHECKED | DATE |
| APPROVED : AR. SHIRAI 2017.05.31 | | | | DRAWING NO. | | EDC-361828-30-01 | | | |
| CHECKED : TH. MIZUGUCHI 2017.05.30 | | | | PART NO. | | GT32-4DP-1.5H(B) (30) | | | |
| DESIGNED : TS. KUBOTA 2017.05.30 | | | | CODE NO. | | CL0782-0062-6-30 | | | |
| DRAWN : TS. KUBOTA 2017.05.30 | | | | | | | | | |