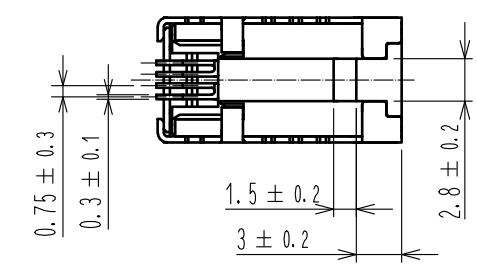
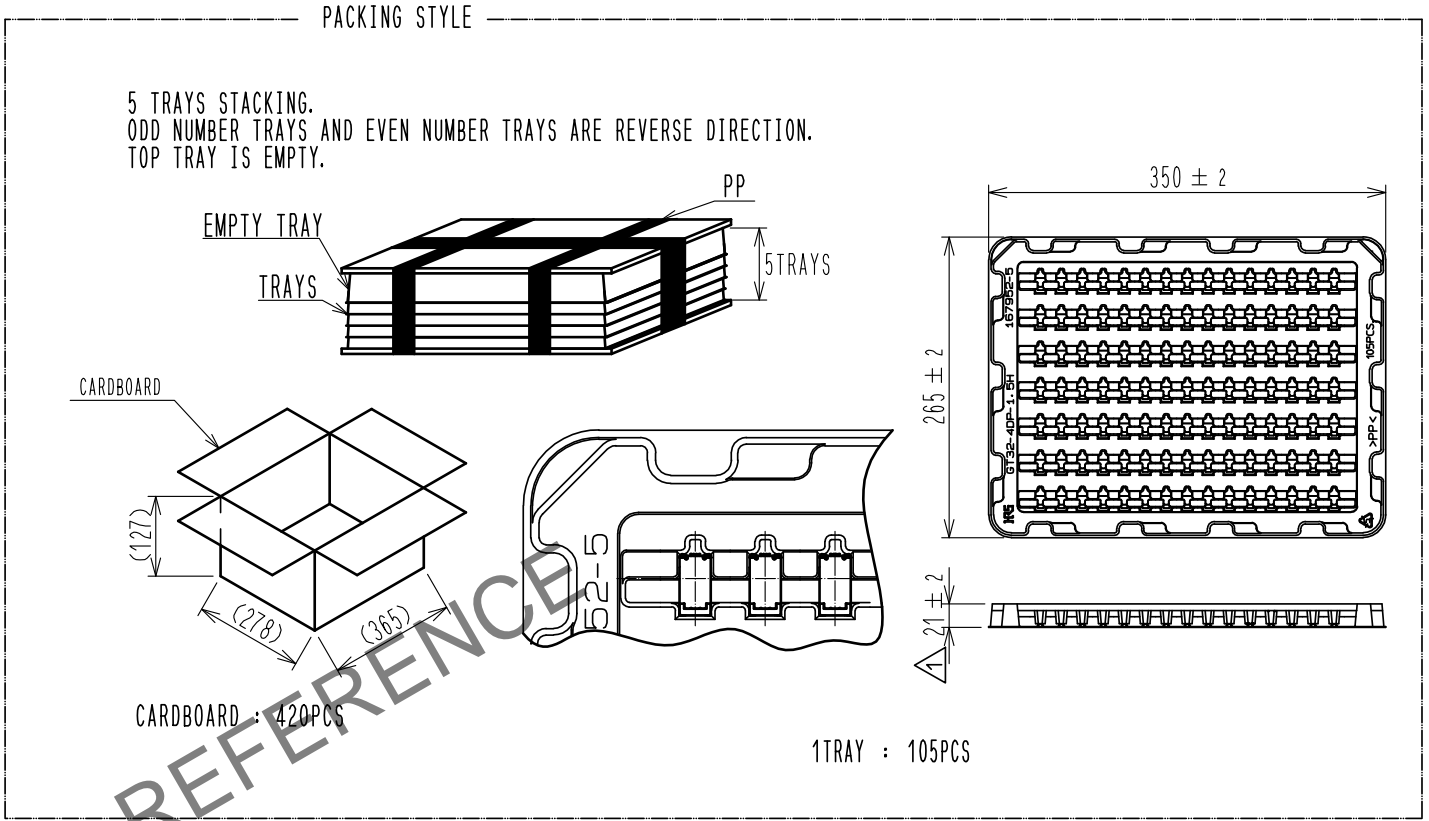
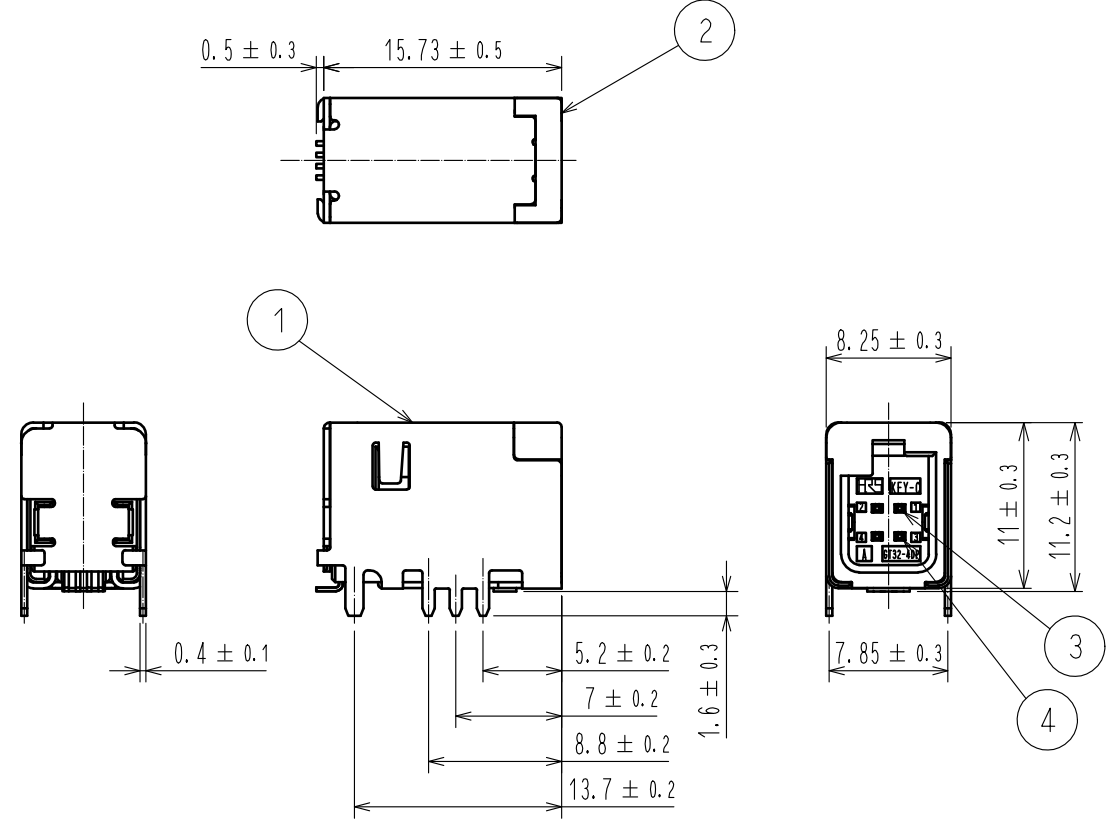
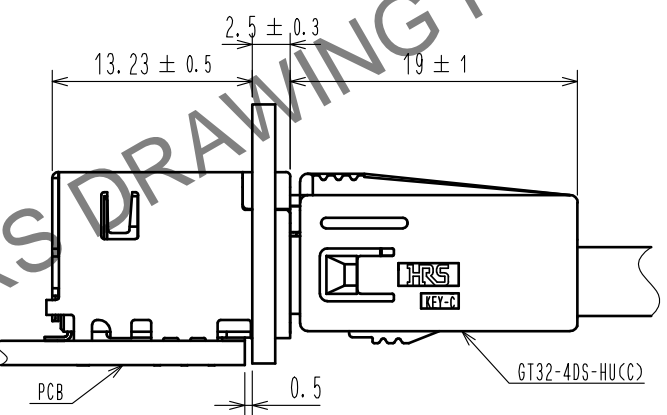


Aug.1.2024 Copyright 2024 HIROSE ELECTRIC CO., LTD. All Rights Reserved.
 In case of consideration for using Automotive equipment / device which demand high reliability, kindly contact our sales window correspondents.

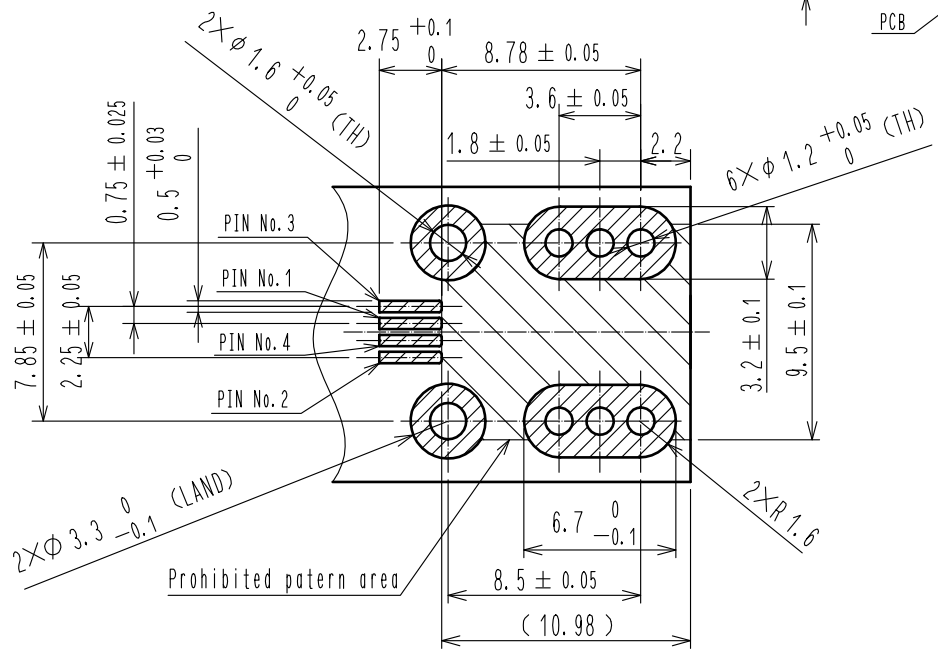
ELV, RoHS COMPLIANT



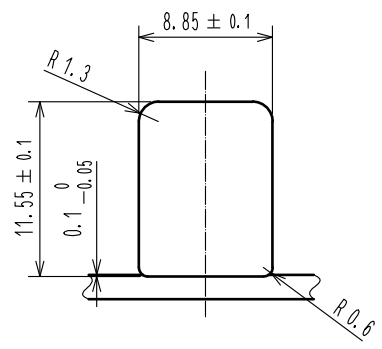
MATED CONNECTORS



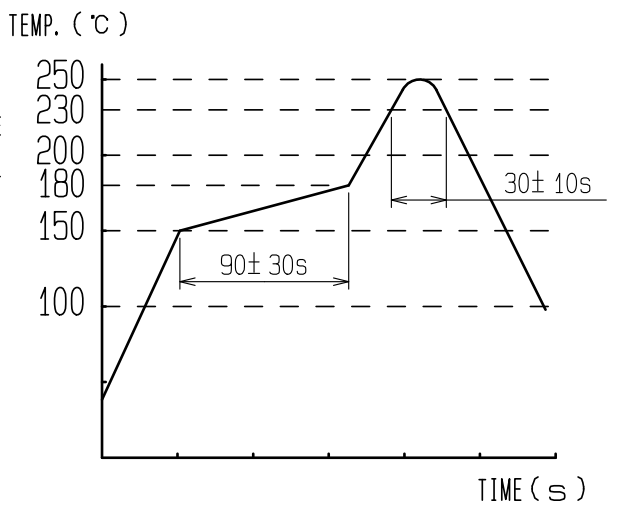
RECOMMENDED PCB LAYOUT (3:1)



RECOMMENDED PANEL CUTOUT



- NOTES
- RECOMMENDED REFLOW PROFILE (SEE RIGHT GRAPH)
 CYCLE TIME: UP TO 2 CYCLES OF REFLOW SOLDERING ARE POSSIBLE UNDER THE CONDITIONS. PROVIDED THAT THERE IS A RETURN TO NORMAL TEMPERATURE BETWEEN THE FIRST AND SECOND CYCLE.
 PEAK TEMPERATURE: 250°C
 230°C MIN. FOR 20 TO 40 SECONDS.
 PREHEATING AREA 150~180°C FOR 60 TO 120 SECONDS.
 - HAND SOLDERING: 280~300°C, 2SECONDS MAX.
 - CONTACT COPLANARITY: 0.1mm MAX.
 - RECOMMENDED THICKNESS OF PCB: 1.6mm
 - RECOMMENDED THICKNESS OF SOLDERING PASTE: 0.12mm



2	PA	BLUE	4	BRASS	TIN PLATING
1	COPPER ALLOY	TIN PLATING	3	BRASS	TIN PLATING
NO.	MATERIAL	FINISH . REMARKS	NO.	MATERIAL	FINISH . REMARKS
UNITS mm		SCALE 2 : 1	COUNT 1	DESCRIPTION OF REVISIONS DIS-T-00003672	DESIGNED TS. KUBOTA
HRS HIROSE ELECTRIC CO., LTD.		APPROVED : NH. NAKATA 15.08.21	DESIGNED : TS. KUBOTA 15.08.21	DRAWING NO. EDC-361829-10-01	
		CHECKED : KI. HIROKAWA 15.08.21	DRAWN : TS. KUBOTA 15.08.21	PART NO. GT32-4DP-1.5H(C)(10)	
				CODE NO. CL782-0063-9-10	1/1