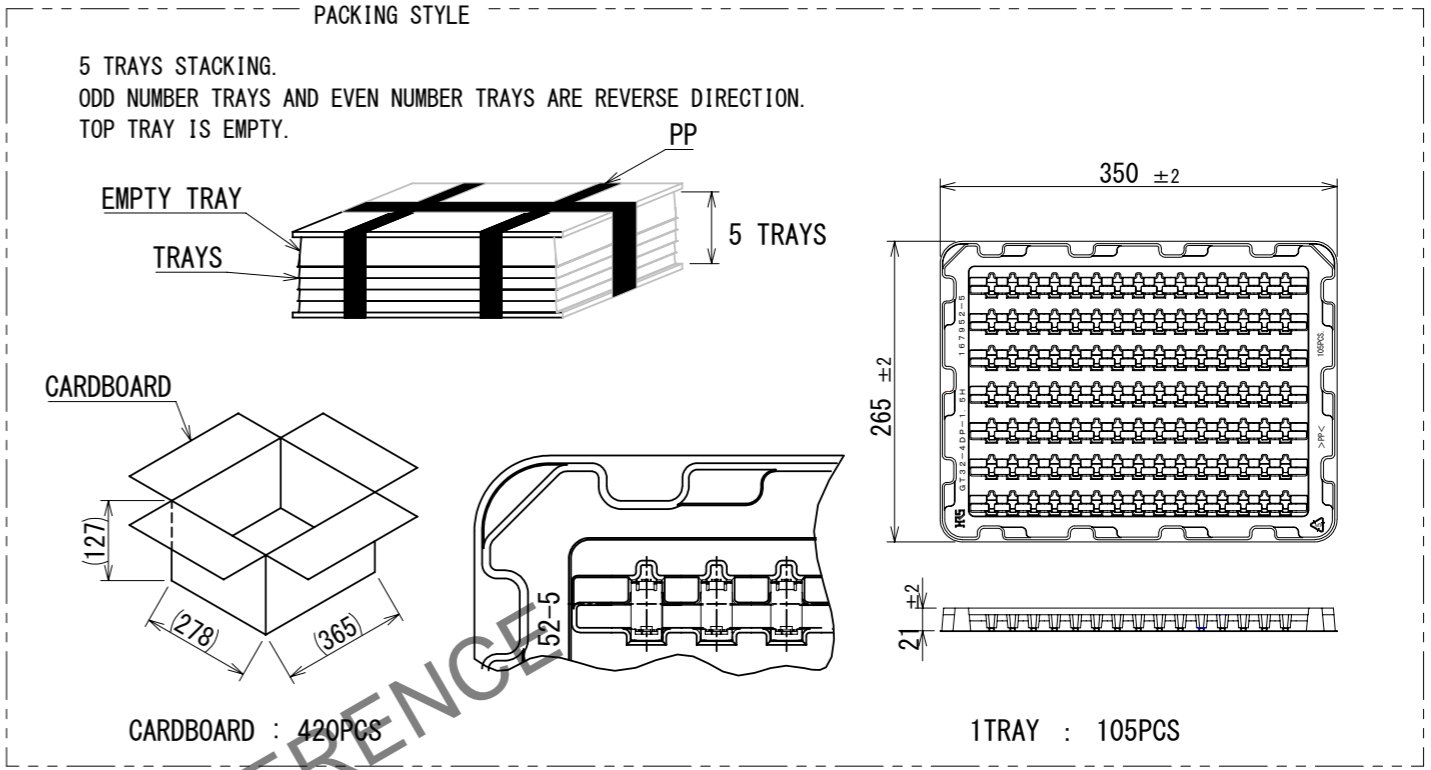
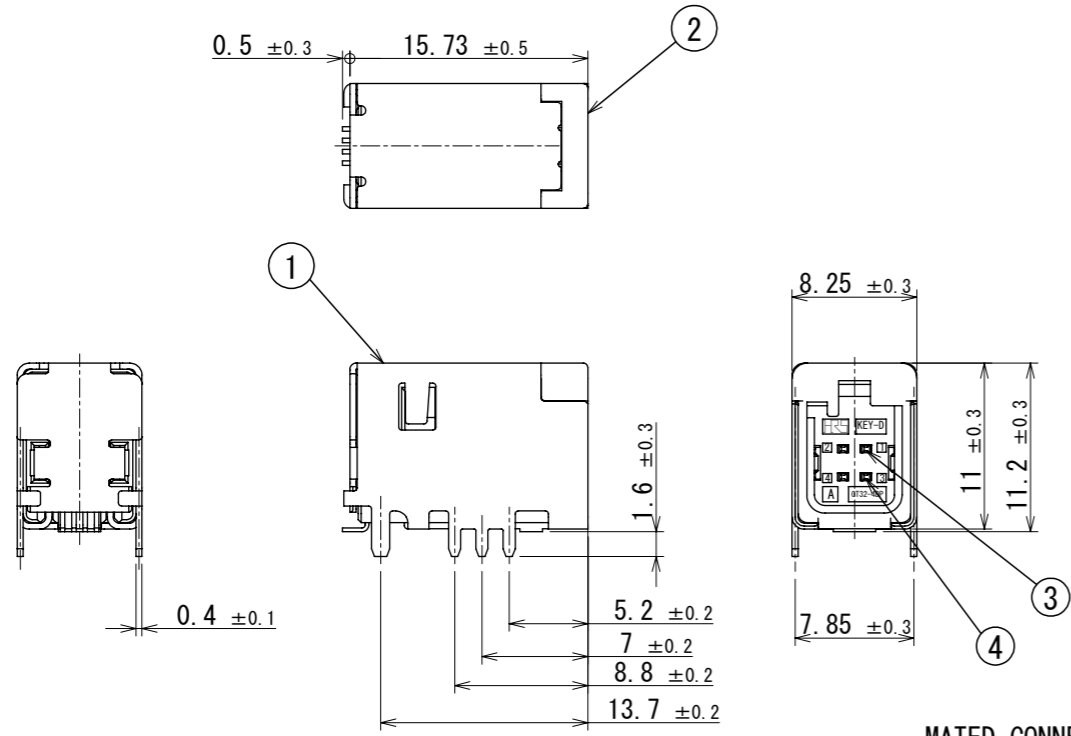
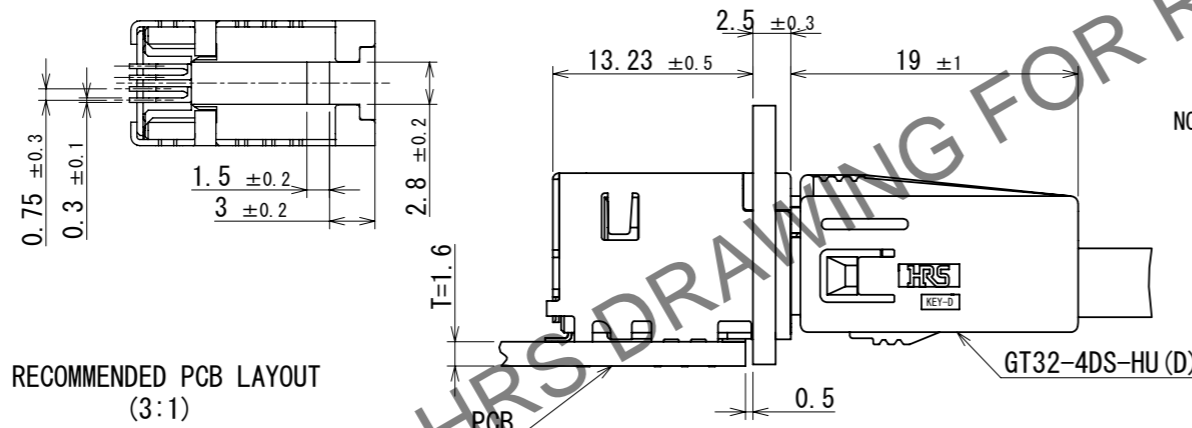


Jul.1.2024 Copyright 2024 HIROSE ELECTRIC CO., LTD. All Rights Reserved.
 In case of consideration for using Automotive equipment / device which demand high reliability, kindly contact our sales window correspondents.

ELV, RoHS COMPLIANT

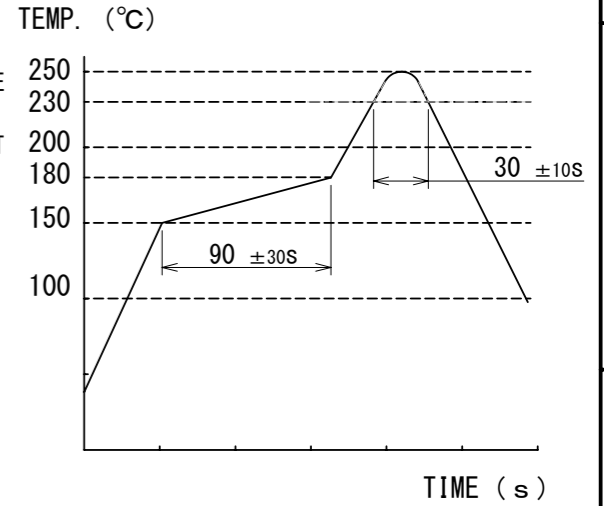


MATED CONNECTORS

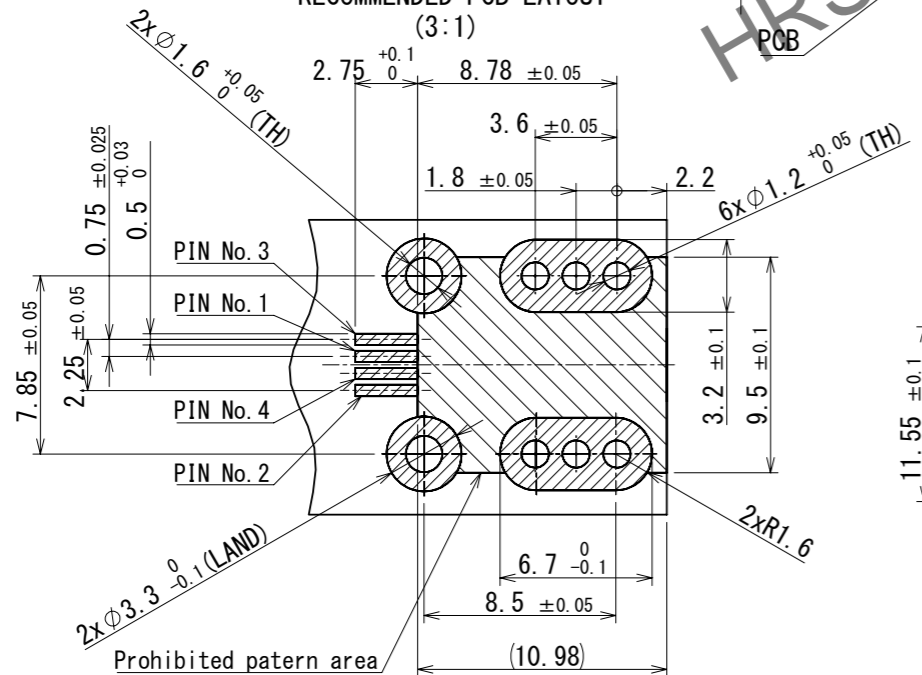


NOTES

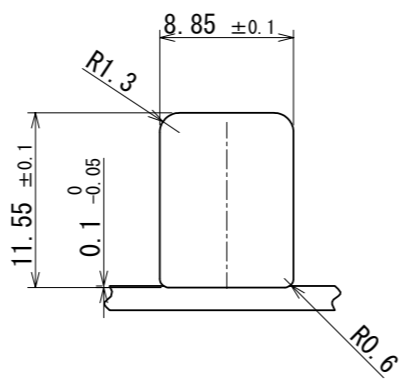
- RECOMMENDED REFLOW PROFILE (SEE RIGHT GRAPH)
 CYCLE TIME: UP TO 2 CYCLES OF REFLOW SOLDERING ARE POSSIBLE UNDER THE CONDITIONS, PROVIDED THAT THERE IS A RETURN TO NOMAL TEMPERATURE BETWEEN THE FIRST AND SECOND CYCLE.
 PEAK TEMPERATURE: 250°C
 230°C MIN, FOR 20 TO 40 SECONDS.
 PREHEATING AREA 150~180°C FOR 60 TO 120 SECONDS.
- HAND SOLDERING: 280~300°C, 2SECONDS MAX.
- CONTACT COPLANARITY: 0.1mm MAX.
- RECOMMENDED THICKNESS OF PCB: 1.6mm
- RECOMMENDED THICKNESS OF SOLDERING PASTE: 0.12mm



RECOMMENDED PCB LAYOUT (3:1)



RECOMMENDED PANEL CUTOUT



2	PA	BLACK	4	BRASS	TIN PLATING				
1	COPPER ALLOY	TIN PLATING	3	BRASS	TIN PLATING				
NO.	MATERIAL	FINISH	REMARKS	NO.	MATERIAL	FINISH	REMARKS		
UNITS	mm	SCALE	2:1	COUNT	0	DESCRIPTION OF REVISIONS	DESIGNED	CHECKED	DATE
				DIS-T-00018446		KN. YANAGIMOTO	EJ. WAKATSUKI	2023.06.23	
APPROVED : NH. NAKATA		2015.08.21		DRAWING NO.		EDC-361830-10-01			
CHECKED : KI. HIROKAWA		2015.08.21		PART NO.		GT32-4DP-1.5H(D) (10)			
DESIGNED : TS. KUBOTA		2015.08.21		CODE NO.		CL0782-0064-1-10			
DRAWN : TS. KUBOTA		2015.08.21							