

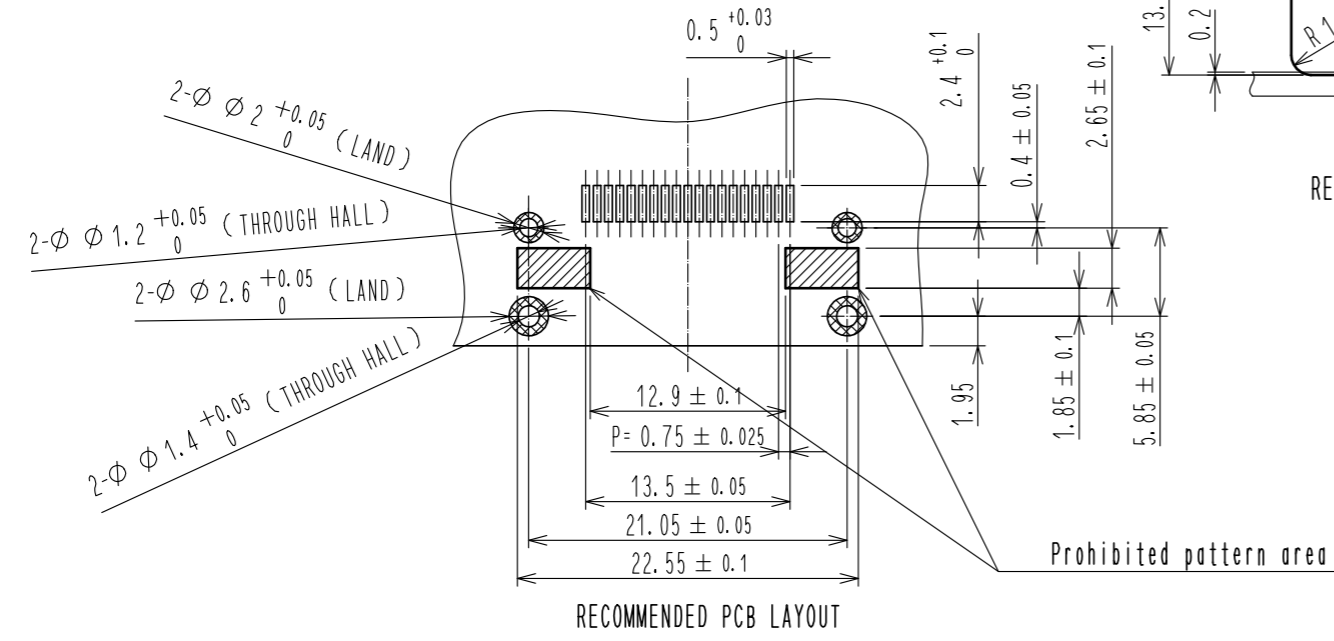
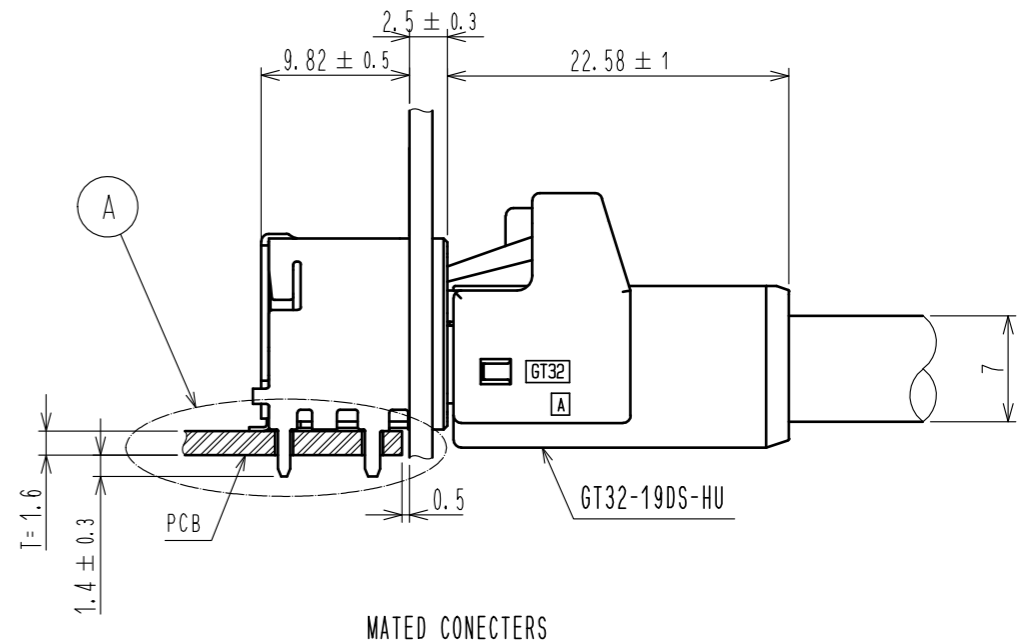
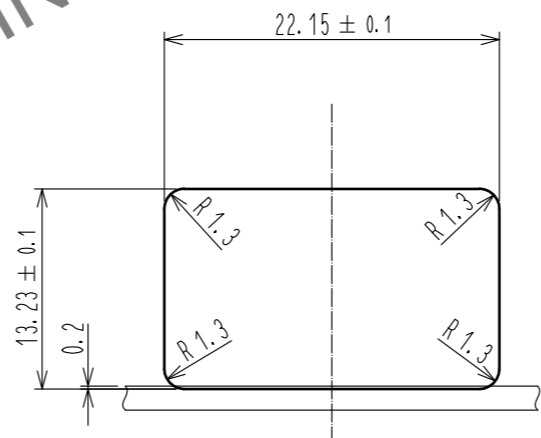
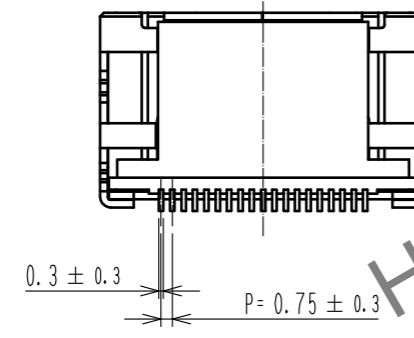
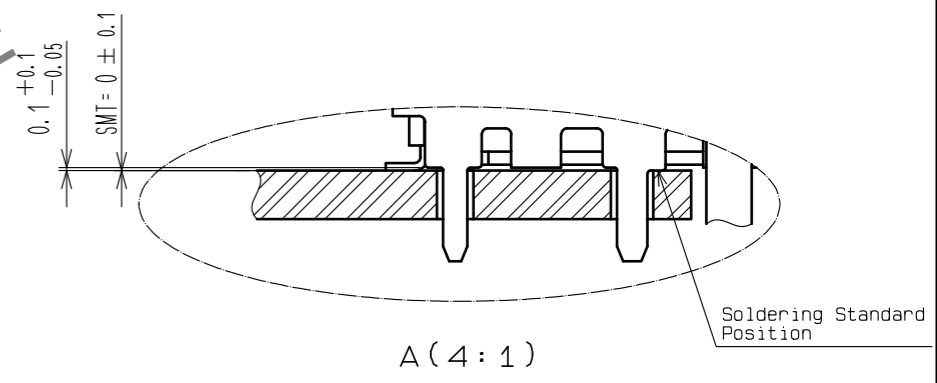
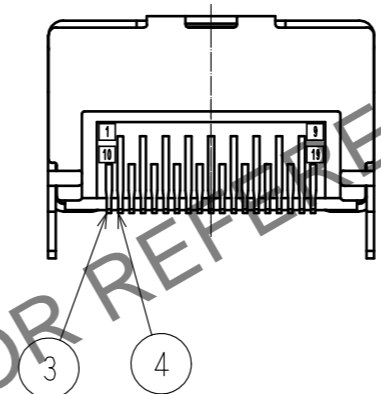
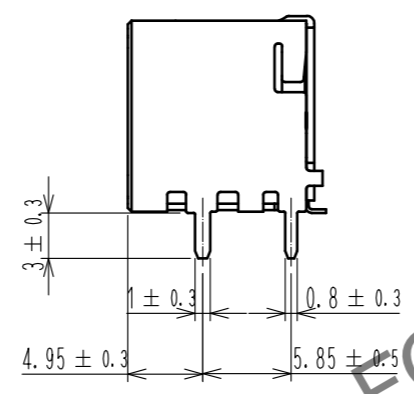
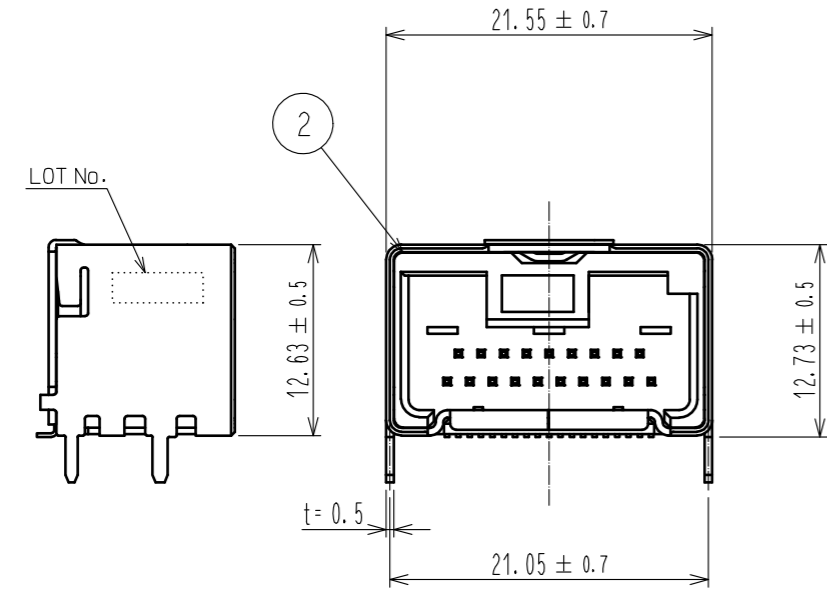
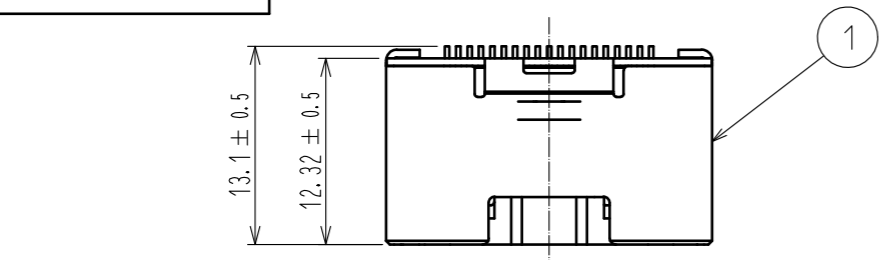
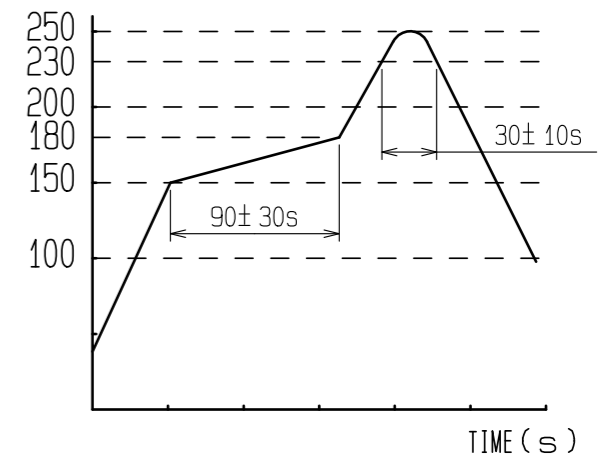
May.1.2024 Copyright 2024 HIROSE ELECTRIC CO., LTD. All Rights Reserved.
In case of consideration for using Automotive equipment / device which demand high reliability, kindly contact our sales window correspondents.

ELV, RoHS COMPLIANT

NOTES

- RECOMMENDED REFLOW PROFILE (SEE RIGHT GRAPF)
CYCLE TIME: UP TO 2 CYCLES OF REFLOW SOLDERING ARE POSSIBLE UNDER THE CONDITIONS, PROVIDED THAT THERE IS A RETURN TO NOMAL TEMPERATURE BETWEEN THE FIRST AND SECOND CYCLE.
PEAK TEMPERATURE: 250°C
230°C MIN. FOR 20 TO 40 SECONDS.
PREHEATING AREA 150~180°C FOR 60 TO 120 SECONDS.
- HAND SOLDERING: 280-300°C, 2S MAX.
- CONTACT COPLANARITY: 0.1mm MAX.
- RECOMMENDED THICKNESS OF PCB: 1.6mm
- RECOMMENDED THICKNESS OF SOLDERING PASTE: 0.15mm

TEMP. (°C)



2	PA	GRAY	4	BRASS	TIN PLATED
1	COPPER ALLOY	TIN PLATED	3	BRASS	TIN PLATED
NO.	MATERIAL	FINISH . REMARKS	NO.	MATERIAL	FINISH . REMARKS
UNITS	mm	SCALE	2 : 1	COUNT	DESCRIPTION OF REVISIONS
APPROVED : AR. SHIRAI		18.01.10		DRAWING NO. EDC-380792-00-00	
CHECKED : TH. MIZUGUCHI		18.01.09		PART NO. GT32B-19DP-0.75H(A)	
DESIGNED : MH. SHOUJI		18.01.09		CODE NO. CL782-0082-0-00	
DRAWN : MH. SHOUJI		18.01.09		1/2	

May.1.2024 Copyright 2024 HIROSE ELECTRIC CO., LTD. All Rights Reserved.
In case of consideration for using Automotive equipment / device which demand high reliability, kindly contact our sales window correspondents.

PACKAGE SPECIFICATIONS

- ①. Place the connectors into the tray. (Cf. Figure of tray shape)
QTY per tray: 77pcs
- ②. Put the tray for six steps in turn and wind up a PP band.
Top(the sixth step) is an empty tray.
- ③. Put it in a cardboard box (W=267 H=126 D=365)
QTY per cardboard: 385 pcs

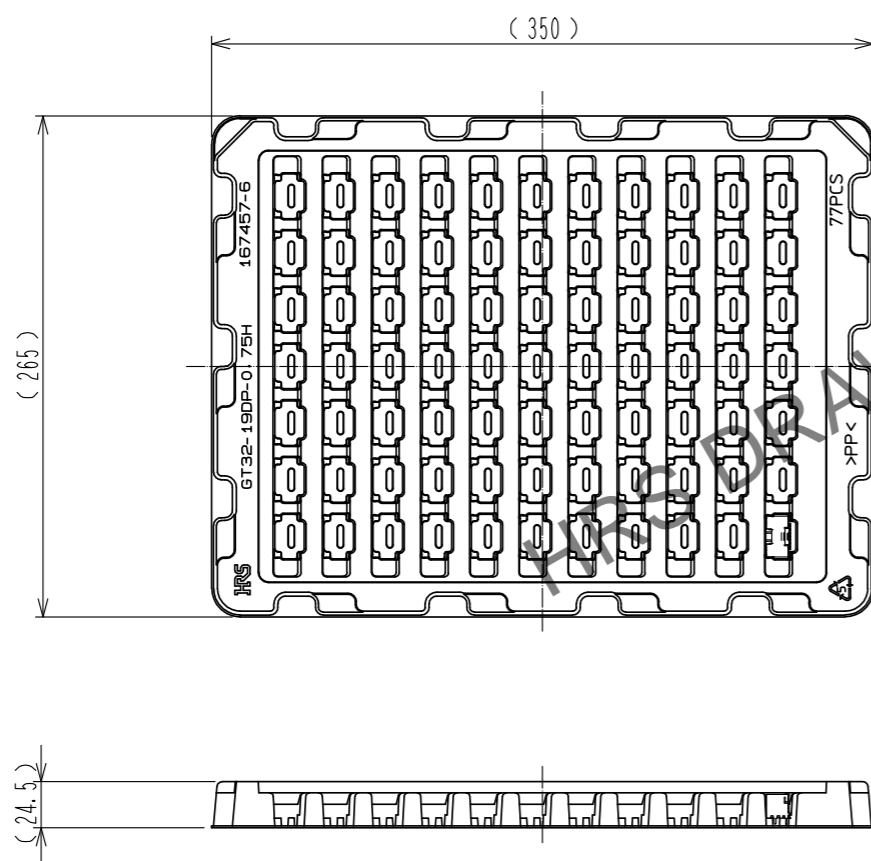


Figure of tray shape

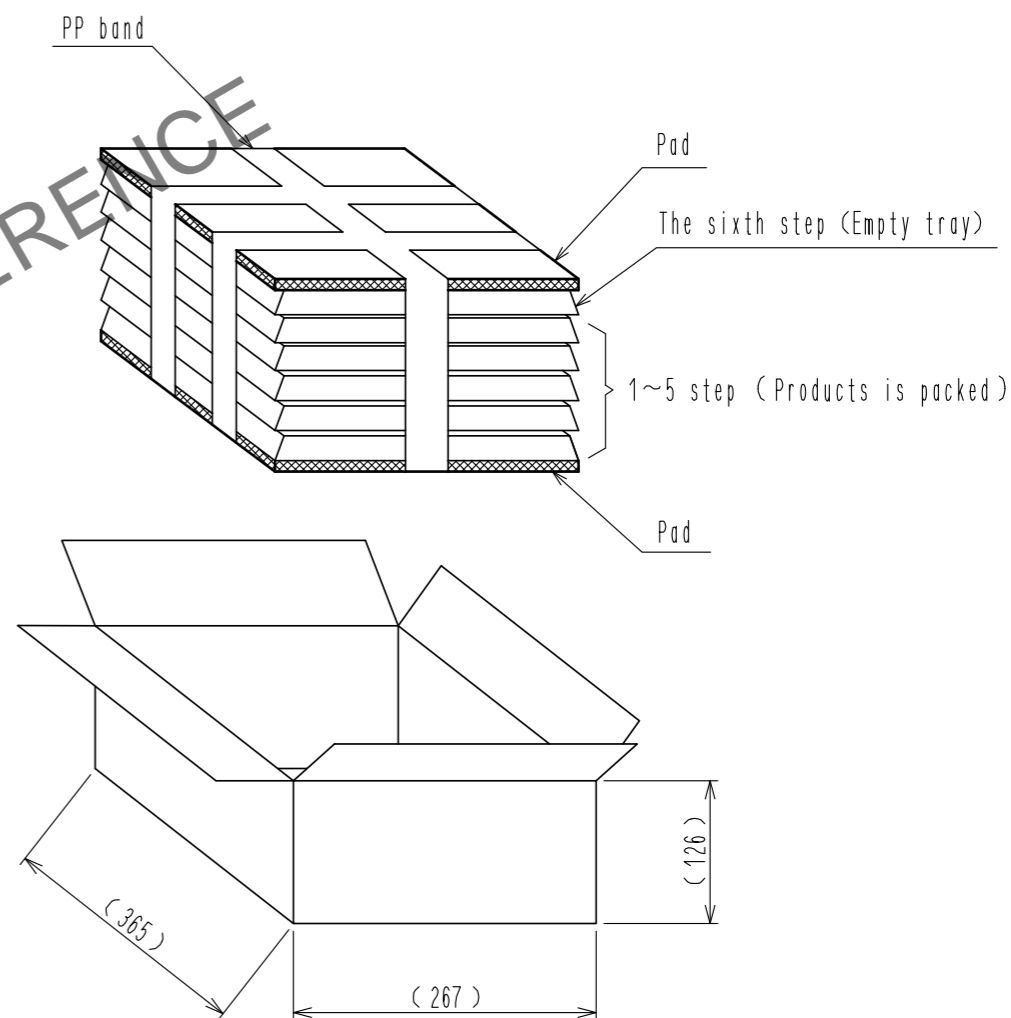


Figure of packing

HRS	DRAWING NO.	EDC-380792-00-00
	PART NO.	GT32B-19DP-0.75H(A)
	CODE NO.	CL782-0082-0-00
		2/2