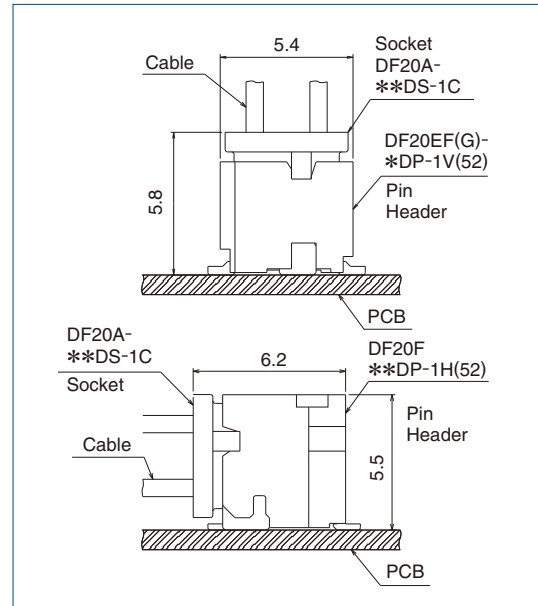
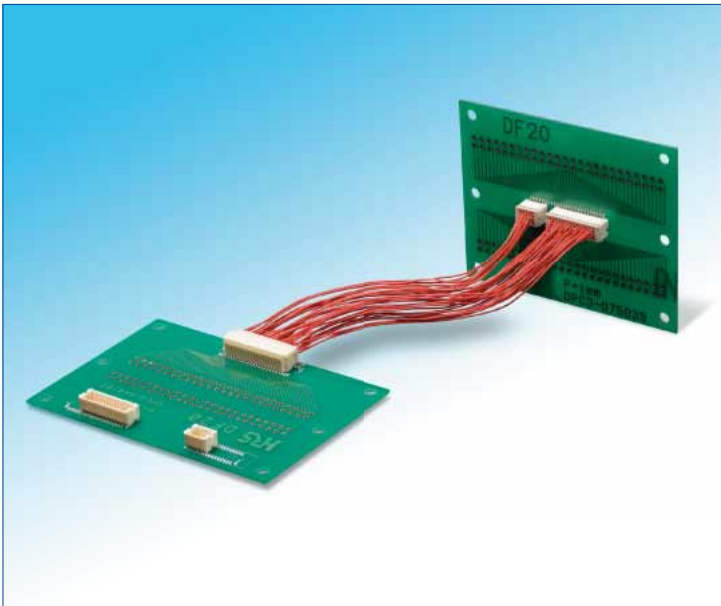


1mm Pitch Double Rows Low Profile Wire-to-Board Connectors

DF20 Series



Features

1. Contact Pitch

1mm contact pitch allows reliable solder and cable termination.

2. Reliable electrical connection wipe

Effective electrical connection is assured with a 1mm wipe of mating contacts.

3. Narrower external width and length

Redesigned metal fittings decreased the overall length of the board-mount receptacle and permit end-to-end mounting of several connectors.

4. Automatic equipment board placement

Straight type pin headers are supplied with a 5.4mm x 4.6mm flat platform to allow vacuum pick-up and placement on the board.

5. Product variations

- (1) Available with 10, 20, 30, 40, and 50 contacts.
- (2) Pin headers are available in two types : with or without board positioning bosses.
- (3) Depending on specific application pin headers can be ordered in straight or right angle types.

Narrower external width and length



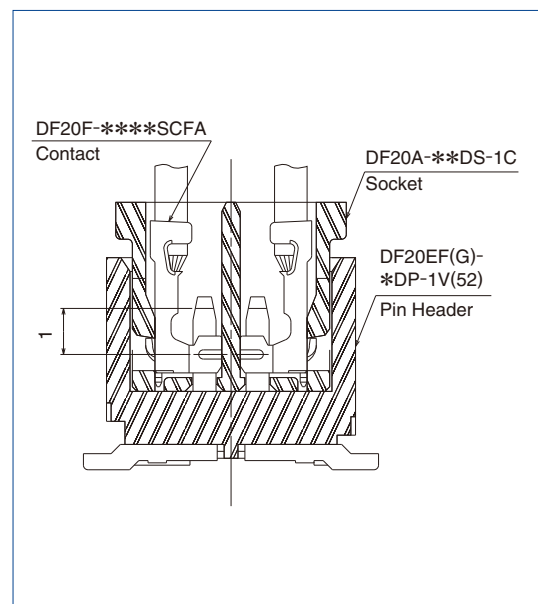
Metal fitting

Applications

Notebook PC, small office automation equipment, small consumer devices, portable devices.

Any application requiring low profile reliable board-to-cable connection with a 28 AWG, 30 AWG, 32 AWG conductors.

1mm Pitch, Double Rows



Product Specifications

| | | | | | | |
|--------|---------------|---|-----------------------------|-------------------------|---------------------------|----------------|
| Rating | Rated current | 28 AWG : 1A/pin 30 AWG : 0.9A/pin 32 AWG : 0.7A/pin | Operating temperature range | -35°C to +85°C (Note 1) | Storage temperature range | -10°C to +60°C |
| | Rated voltage | 100V AC/DC | Operating humidity range | 40% to 80% (Note 2) | Storage humidity range | 40% to 70% |

| Item | Specifications | Conditions |
|---------------------------------|--|--|
| 1. Insulation resistance | 500MΩ min. | Measured at 100V DC |
| 2. Withstanding voltage | No flashover or insulation breakdown | Conduction of 300V AC applied for 1 minute |
| 3. Contact resistance | 30MΩ max. | Measure at 1mA. |
| 4. Vibration | No electrical discontinuity of 1μs min. | Frequency of 10 to 55 Hz, single amplitude of 0.75mm, in 3 directions for 10 cycles |
| 5. Humidity | Contact resistance of 30mΩ max., insulation resistance of 100MΩ min. | Temperature of 40±2°C, humidity of 90% to 95%, left standing for 96 hours |
| 6. Temperature cycle | Contact resistance of 30mΩ max, insulation resistance of 500MΩ min. | (-55°C : 30min / 5°C to 35°C : 2 to 3min / 85°C : 30min / 5°C to 35°C : 2 to 3min) for 5 cycles |
| 7. Mechanical operation | Contact resistance of 30mΩ max. | 50 cycles |
| 8. Resistance to Soldering heat | No deformation of the insulator parts that will affect performance | Reflow : At the recommended temperature profile, manual solder : Soldering iron temperature of 300°C for 3 seconds |

Note 1 : Includes temperature rise caused by current flow.

Note 2 : No condensing.

Note 3 : Information contained in this catalog represents general requirements for this Series. Contact us for the drawings and specifications for a specific part number shown.

Materials / Finish

| Item | Part | Material | Finish | Remarks | RoHS2 |
|------------------|---------------|-----------------|---------------|---------|-------|
| Socket | Insulator | Polyamide | Color : Beige | UL94V-0 | YES |
| Crimping contact | Contact | Phosphor bronze | Gold plating | ——— | |
| Pin header | Insulator | Polyamide | Color : Beige | UL94V-0 | |
| | Contact | Phosphor bronze | Gold plating | ——— | |
| | Metal Fitting | Brass | Tin Plating | ——— | |

Product Number Structure

Refer to the chart below when determining the product specifications from the product number. Please select from the product numbers listed in this catalog when placing orders.

Pin header

DF20 # - * DP - 1 V
① ② ③ ④ ⑤ ⑥

| | | | |
|----------------------|-----------------------------------|---------------------------|---|
| ① Series name | DF20, DF20E | ④ Connector type | DP : Double-row pin header |
| ② Boss Type | F : Without boss G : With boss | ⑤ Contact pitch | : 1mm |
| ③ Number of contacts | : 10, 20, 30, 40, 50 | ⑥ Type of housing, header | V : Straight SMT header H : Right angle SMT header |

Crimping contact

DF20 F - 2830 SCF A - ()**
① ② ③ ④

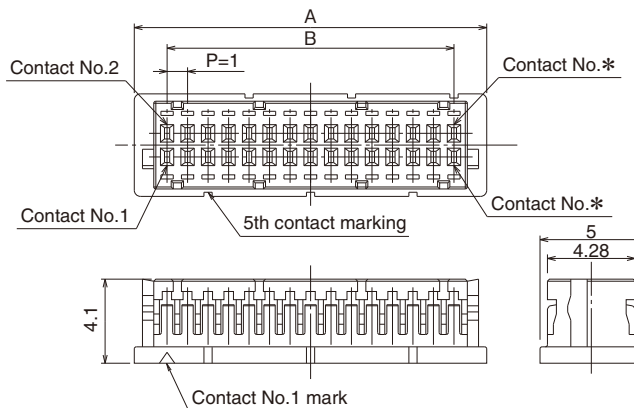
| | | | |
|----------------------------|--|----------------------------|--|
| ① Applicable wire size | 2830 : 28 to 30 AWG 3032 : 30 to 32 AWG | ③ Plating type | A : Gold plating |
| ② Contact & packaging type | SCF : Socket contact reel | ④ Packaging Specifications | 04 : 1 reel = 10,000 pieces 44 : 1 reel = 20,000 pieces |

Crimp socket

DF20 A - * DS - 1 C
① ② ③ ④ ⑤

| | | | |
|----------------------|------------------------|---------------------------|-------------------|
| ① Series name | DF20A | ④ Contact pitch | : 1mm |
| ② Number of contacts | : 10, 20, 30, 40, 50 | ⑤ Type of housing, header | C : Crimp housing |
| ③ Connector type | DS : Double-row socket | | |

Double Row Socket



Unit : mm

| Part No. | HRS No. | No. of Contacts | A | B |
|---------------|------------|-----------------|------|------|
| DF20A-10DS-1C | 686-0020-3 | 10 | 7.2 | 4.0 |
| DF20A-20DS-1C | 686-0021-6 | 20 | 12.2 | 9.0 |
| DF20A-30DS-1C | 686-0022-9 | 30 | 17.2 | 14.0 |
| DF20A-40DS-1C | 686-0023-1 | 40 | 22.2 | 19.0 |
| DF20A-50DS-1C | 686-0024-4 | 50 | 27.2 | 24.0 |

【Specifications number】-*, (**)
Blank : Bag packaging (100 pcs / pack)

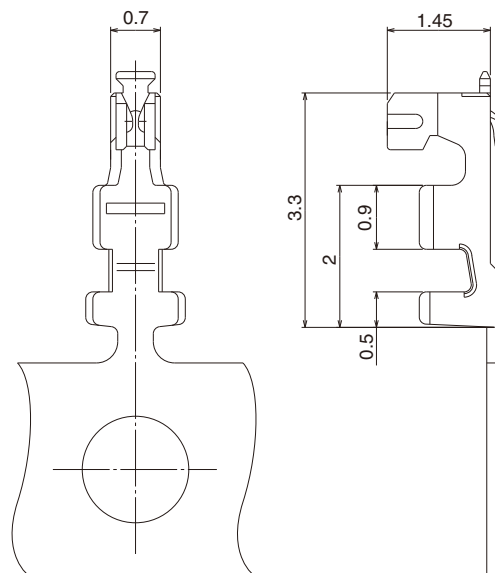
Note : Sales quantities are by the package unit (containing 100 pieces). Please order by package unit.

Crimp Contacts

| Part No. | HRS No. | Finish | Applicable Wire (Tin plated annealing copper wire) (Note 1) | | | | |
|--------------------|---------------|-------------|---|--------|-------------------|----------------------|--------------------------|
| | | | UL Style | AWG | Wire Construction | Sectional Area | Jacket Diameter (Note 2) |
| DF20F-2830SCFA(**) | 686-0042-6 ** | Gold plated | 1571 | 28 AWG | 7cores/0.127mm | 0.089mm ² | 0.54~0.6mm (0.58mm) |
| | | | (Thin type) | 30 AWG | 7cores/0.1mm | 0.055mm ² | 0.54~0.6mm (0.56mm) |
| DF20F-3032SCFA(**) | 686-0043-9 ** | Gold plated | 1571 | 30 AWG | 7cores/0.1mm | 0.055mm ² | 0.54~0.6mm |
| | | | (Thin type) | 32 AWG | 7cores/0.08mm | 0.035mm ² | 0.54~0.6mm |

【Specifications number】(**)
(04) : 10,000 pieces/reel
(44) : 20,000 pieces/reel

Note 1 : Please consult with our Hirose sales representative when using wires other than these applicable wire.
Note 2 : The wire of jacket diameter in parenthesis is only suitable when crimping with hand tool.

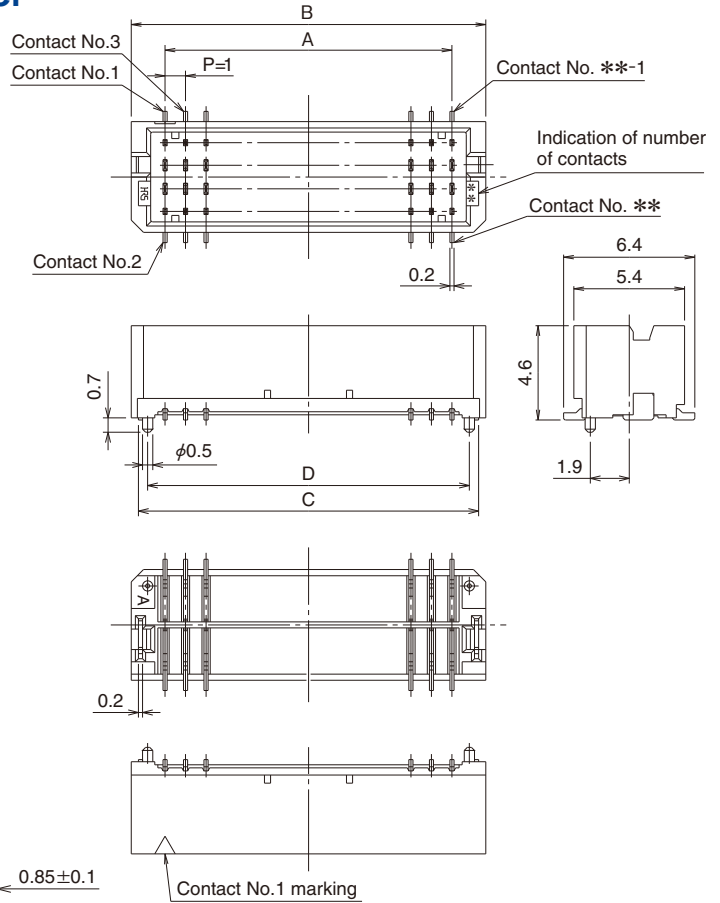
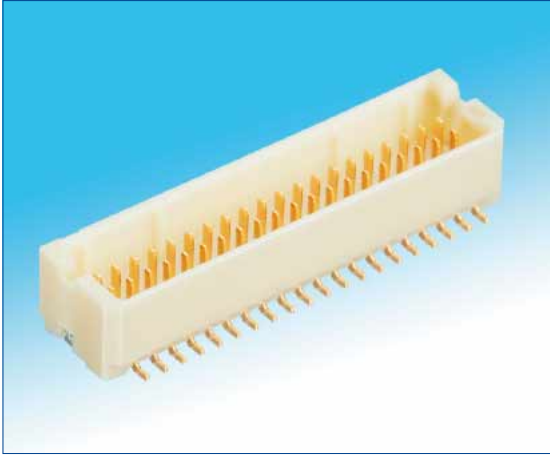


Applicable Crimping Tool

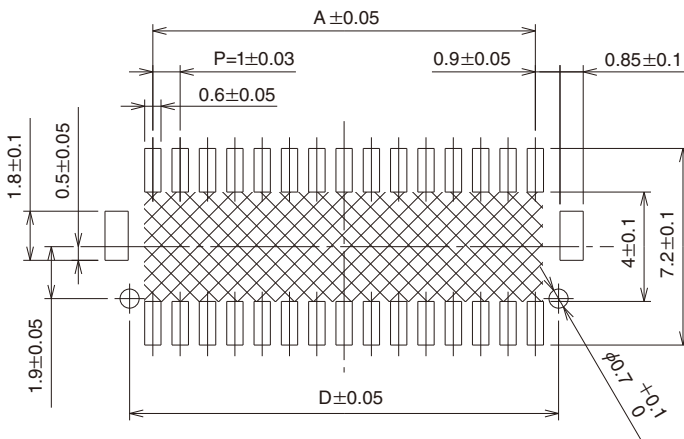
| Type | Part No. | HRS No. | Applicable contact |
|----------------------|-------------------|------------|--|
| Applicator | AP105-DF20-2830S | 901-4572-6 | DF20F-2830SCFA(04), DF20F-2830SCFA(44) DF20F-3032SCFA(04), DF20F-3032SCFA(44) |
| Manual Crimping Tool | HT302/DF20B-2830S | 902-4540-6 | DF20F-2830SCFA(04), DF20F-2830SCFA(44) |
| Press | CM-105C | 901-0001-0 | — |

Note 1 : Hirose Electric will not be responsible for any problems caused by use of tools other than specified.
Note 2 : Please conduct crimping work according to the "Crimp Quality Standard (ETAD-H0929-00)" and "Crimp condition table".

Double Row Straight Pin header



PCB Footprints



Note 1 : Shaded area must be free of any electrically conductive traces to avoid contact with soldered pin header terminations.
 Note 2 : Required only for pin headers supplied with the positioning boss.

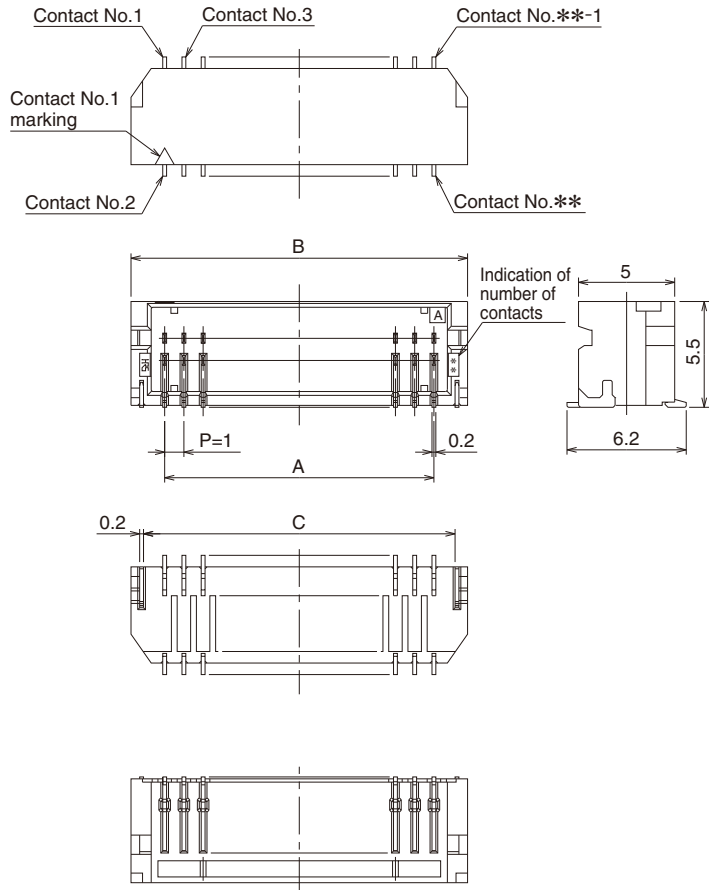
Unit : mm

| Part No. | HRS No. | No. of contacts | A | B | C | D | Remarks |
|--------------------|---------------|-----------------|------|------|------|------|--------------|
| DF20EF-10DP-1V(52) | 686-0055-0 52 | 10 | 4.0 | 7.3 | 6.6 | — | Without boss |
| DF20EF-20DP-1V(52) | 686-0056-0 52 | 20 | 9.0 | 12.3 | 11.6 | — | |
| DF20EF-30DP-1V(52) | 686-0057-0 52 | 30 | 14.0 | 17.3 | 16.6 | — | |
| DF20EF-40DP-1V(52) | 686-0058-0 52 | 40 | 19.0 | 22.3 | 21.6 | — | |
| DF20EF-50DP-1V(52) | 686-0053-0 52 | 50 | 24.0 | 27.3 | 26.6 | — | |
| DF20EG-10DP-1V(52) | 686-0059-0 52 | 10 | 4.0 | 7.3 | 6.6 | 5.7 | With boss |
| DF20EG-20DP-1V(52) | 686-0060-0 52 | 20 | 9.0 | 12.3 | 11.6 | 10.7 | |
| DF20EG-30DP-1V(52) | 686-0061-0 52 | 30 | 14.0 | 17.3 | 16.6 | 15.7 | |
| DF20EG-40DP-1V(52) | 686-0062-0 52 | 40 | 19.0 | 22.3 | 21.6 | 20.7 | |
| DF20EG-50DP-1V(52) | 686-0054-0 52 | 50 | 24.0 | 27.3 | 26.6 | 25.7 | |

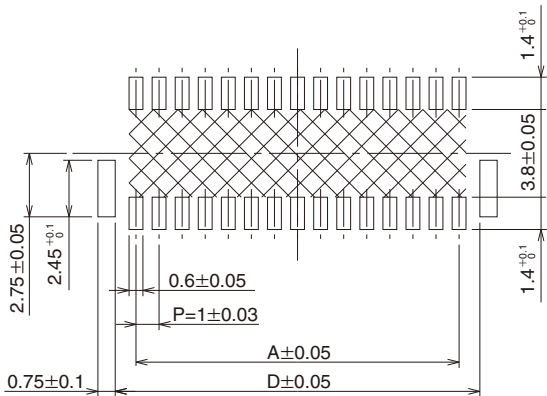
Note 1 : Order embossed tape packaging items by the reel. (1 reel contains 1,000 pieces)
 Note 2 : Vacuum pick-up cap are included with embossed tape packaged connectors.

[Specifications number]-*, (**)
 (52) : Gold plating,
 embossed tape packaging

Double Row Right angle Pin header



PCB Footprints



Note : Shaded area must be free of any electrically conductive traces to avoid contact with soldered pin header terminations.

Unit : mm

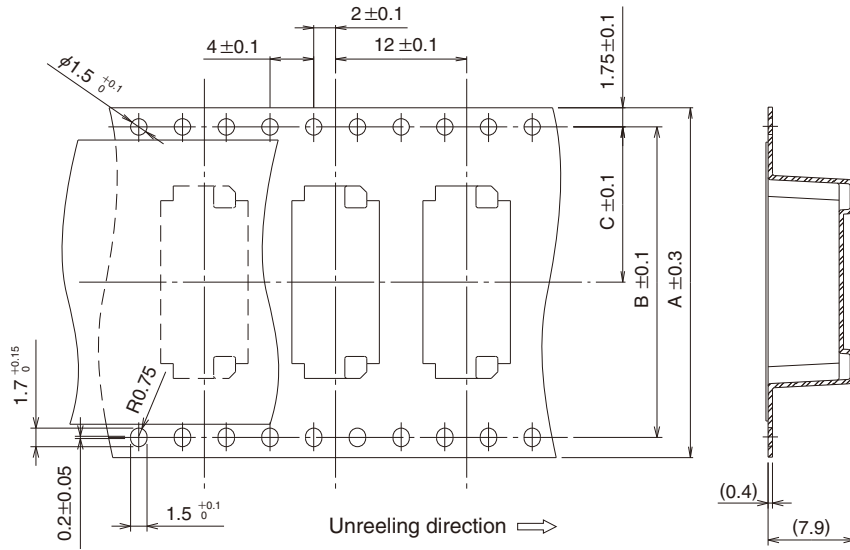
| Part No. | HRS No. | No. of contacts | A | B | C | D | Remarks |
|--------------------|---------------|-----------------|------|------|------|------|--------------|
| DF20F-10DP-1H (52) | 686-0027-2 52 | 10 | 4.0 | 7.5 | 6.2 | 5.8 | Without boss |
| DF20F-20DP-1H (52) | 686-0028-5 52 | 20 | 9.0 | 12.5 | 11.2 | 10.8 | |
| DF20F-30DP-1H (52) | 686-0029-8 52 | 30 | 14.0 | 17.5 | 16.2 | 15.8 | |
| DF20F-40DP-1H (52) | 686-0030-7 52 | 40 | 19.0 | 22.5 | 21.2 | 20.8 | |

Note : Order embossed tape packaging items by the reel. (1 reel contains 1,000 pieces)

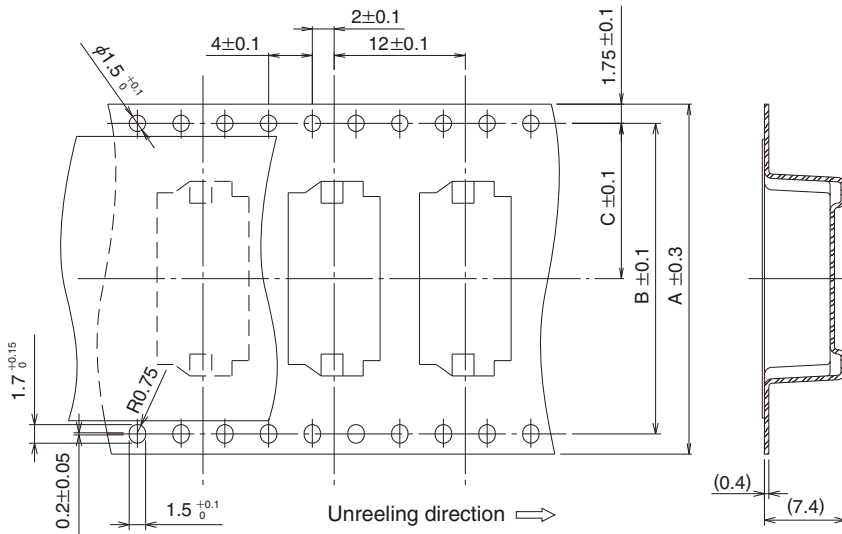
[Specifications number]-*, (**)
(52) : Gold plating,
embossed tape packaging

◆ Embossed Carrier Tape Dimensions

● Straight pin header

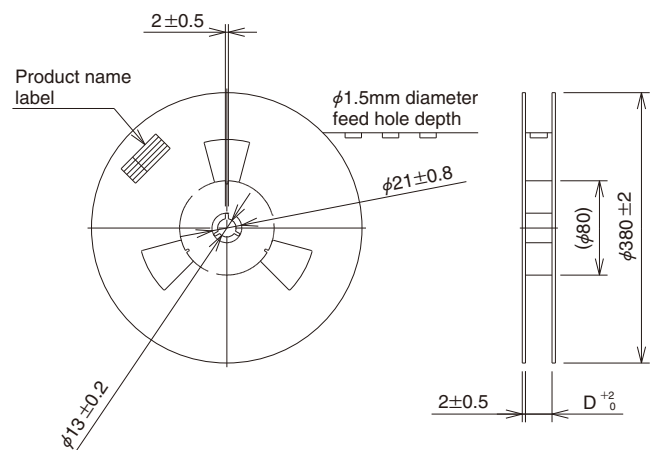


● Right angle pin header



● Reel dimensions

| Part No. | No. of Contacts | A | B | C | D |
|-----------------------|-----------------|----|------|------|------|
| DF20EF(G)-10DP-1V(52) | 10 | 16 | — | 7.5 | 16.4 |
| DF20EF(G)-20DP-1V(52) | 20 | 24 | — | 11.5 | 24.4 |
| DF20EF(G)-30DP-1V(52) | 30 | 32 | 28.4 | 14.2 | 32.4 |
| DF20EF(G)-40DP-1V(52) | 40 | 44 | 40.4 | 20.2 | 44.4 |
| DF20EF(G)-50DP-1V(52) | 50 | 44 | 40.4 | 20.2 | 44.4 |
| DF20F-10DP-1H(52) | 10 | 16 | — | 7.5 | 16.4 |
| DF20F-20DP-1H(52) | 20 | 24 | — | 11.5 | 24.4 |
| DF20F-30DP-1H(52) | 30 | 32 | 28.4 | 14.2 | 32.4 |
| DF20F-40DP-1H(52) | 40 | 44 | 40.4 | 20.2 | 44.4 |



◆ Crimping Precautions

■ Items required prior to start crimping

The work-related documents shown below are required before starting the harness connections.
(The ● mark shows the document required.)

When the documents shown below are not available, ask our sales personnel to provide them.

| Document Title | Description | Automatic Crimping Machine | Hand Crimping Tool | Remarks |
|--|---|----------------------------|--------------------|---|
| (1) Main unit of crimping machine instruction manual | Explanation of main press machine unit | ● | — | When purchasing main press machine unit, it is bundled. |
| (2) Operating Instructions for Hand Tool | Crimp operation | ● | — | When purchasing Applicator, it is bundled. |
| (3) Applicator Spare Parts Identification | Explanation for Applicator installation | ● | — | |
| (4) Crimp Conditions | Standard values of : Crimp height ; Tensile strength | ● | — | |
| (5) Crimp Quality Standards | Various standards for crimping conditions | ● | — | When purchasing Hand Tool, it is bundled. |
| (6) Operating Instructions for Hand Tool | Inspection items of : Crimp height ; Crimp operation Tensile strength | — | ● | |
| (7) Cable Assembly Procedure | Cable Assembly Procedure | ● | ● | Ask our sales personal to provide them. |

■ Tools

When crimping work is applied to our contacts, the tool designated by Hirose should be used.
Crimping work by using tools other than as designated must not be done because it may result in contact failure, disconnection of cable, etc.

*The operating instructions manual is available for the crimping machine and the applicator.

Be sure to carefully read the operating instructions manual before implementing the work.

■ Applicable electric wires

Check that the electric wire to be used is in the range of application.

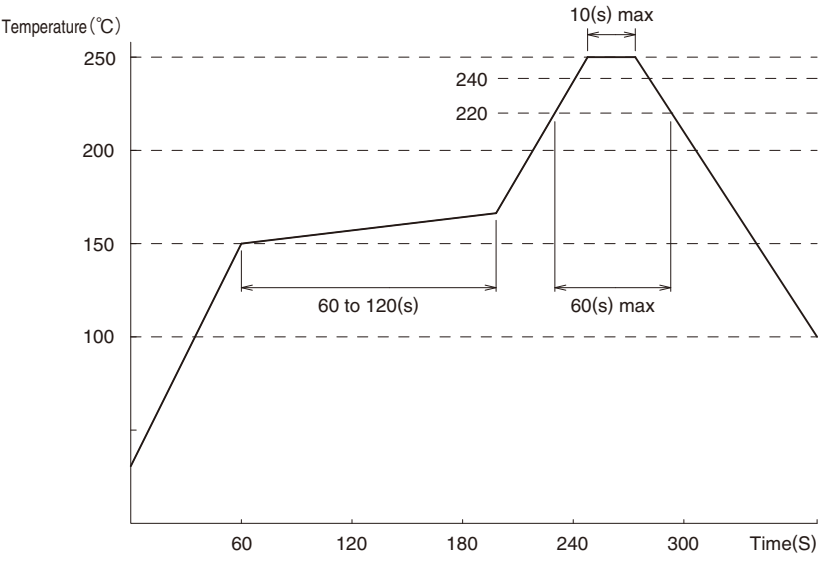
If you intend to use an electric wire other than the recommended one, ask our sales personnel.

[Precautions]

- Electric wires that are applicable for crimping connectors shall, principally, be the tin-plated stranded soft-copper wire.
- Crimping of electric wires wherein single wires, polyester yarns, etc., exist and crimping of tin-coated wires should be avoided.
- Avoid crimping two electric wires together.
- The setting values of crimp height (Note 1) may vary between tin-plated and gold-plated terminals even if the same electric wires are used.
- The setting values of crimp height (Note 1) may vary depending on the difference in the core wire configuration even if the computed cross-sectional area is the same.

Note 1 : The crimp height is an important item that determines crimping quality. We execute crimping tests for each electric wire to ensure the optimal value for the crimp height with high precision, thereby ensuring optimal setup values.

◆ Handling Points

| | |
|--|---|
| <p>1. Recommended Soldering Temperature Profile for IR Reflow.</p> |  <p>Note 1 : Up to 2 cycles of reflow soldering are possible under the same conditions, provided that there is a return to normal temperature between the first and second cycle.</p> <p>Note 2 : The temperature indicates the board surface temperature at the points of contacts with the connector terminals.</p> |
| <p>2. Recommended Manual Soldering Conditions</p> | <p>Soldering temperature : 290°C ±10°C, Soldering time : within 3 sec.</p> |
| <p>3. Recommended Solder Screen Thickness</p> | <p>0.15mm</p> |
| <p>4. Board Warping</p> | <p>Maximum of 0.03mm at the connector center section, with both ends of the connector as reference points.</p> |
| <p>5. Cleaning Conditions</p> | <p>Refer to "Wire-to-Board Connector Use Handbook"</p> |
| <p>6. Wiring Termination Conditions</p> | <p>Refer to "Wire-to-Board Connector Use Handbook" Crimp contacts should be handled with care as not to cause any deformation or damage affecting the performance or termination.</p> |
| <p>7. Cautions</p> | <p>Excessive twisting and pulling on wires during mating/un-mating should be avoided as it may cause damage to connectors. Black spots may appear on the mold resin but this does not affect the product quality.</p> |
| <p>8. Precautions</p> | <p>Please refer to the following documents.</p> <ul style="list-style-type: none"> ■ Crimp Quality Standard (ETAD-H0929-00) ■ Cable Assembly Procedure (ETAD-H0930-00) ■ Mating/Unmating Operation Instruction Manual (ETAD-H0997-00) ■ User Guide for Wire-to-Board Connector |

HIROSE ELECTRIC CO.,LTD.

2-6-3, Nakagawa Chuoh, Tsuzuki-Ku, Yokohama-Shi 224-8540, JAPAN
<https://www.hirose.com/>