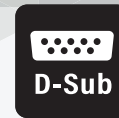


RD\*B Series

# RD\*B Series Right Angle Type D-subminiature Connectors



D-Sub

D-Sub



Wide Variation



Right Angle



## Overview

RD\*B connectors can be mounted in parallel on printed circuit boards. Direct connection to the circuit on the printed board is ideal for reducing wiring work and enhancing reliability. The series is available in a pin count of 50.

## Features

1. Metal shell contributes to space-saving and robustness.
2. Available in a variety of configurations including solder, crimp, and ribbon IDC.

## Product Specifications

Rated Current	3A	Operating Temperature	-55 to +85°C
Rated Voltage	350V AC		

Insulation Resistance	5,000MΩ Min. (500V DC)
Contact Resistance	100mA DC (25mΩ Max.)
Withstanding Voltage	1,250Vr.m.s AC for 1min.

## Materials / Finish

Part	Material	Color/Finish	RoHS
Shell	Mild Steel	Nickel Plating	Yes
Insulator	PBT (Note)	Black	
Contacts	Phosphor Bronze	Nickel Plating and Gold Plating	

Note : UL94V-0

## Product Number Structure

Refer to the chart below when determining the product specifications from the product number. Please select from the product numbers listed in this catalog when placing orders.

**RD C B - 50 P - (05)**

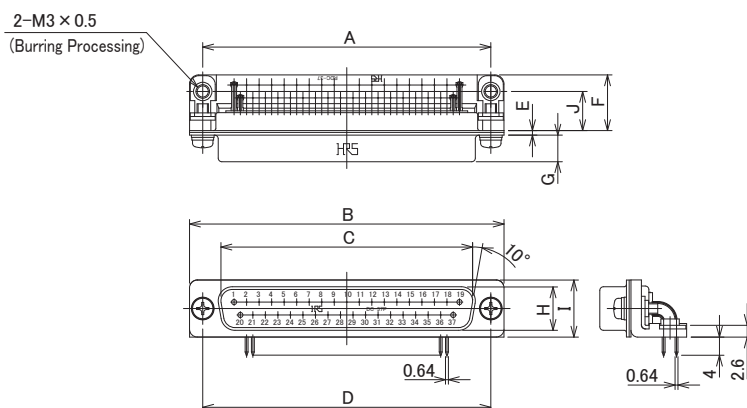
① ② ③ ④ ⑤ ⑥

① Series Name	RD : D-sub Right Angle Type	⑤ Contact Mating Port Gender	P : Male Contact S : Female Contact
② Shell Size	D		
③ Serial Symbol	B		
④ No of Pos.	50	⑥ Specifications	(05) : Nickel Plating

## Right Angle Type



RDDB-50P(05)

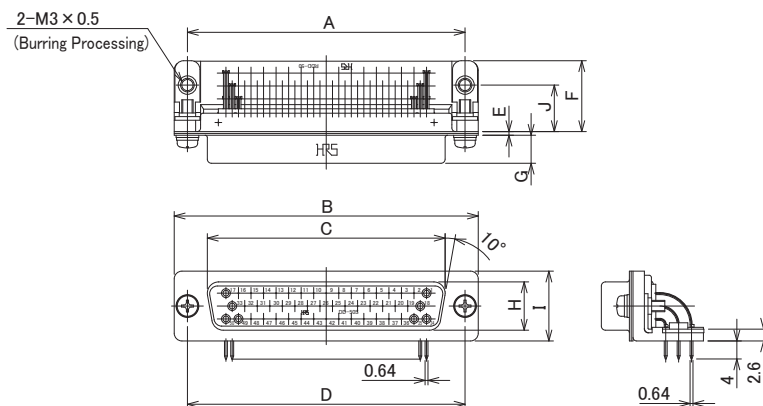


Unit : mm

Part No	HRS No.	No. of Pos.	A	B	C	D	E	F	G	H	I	J	Purchase Unit
RDDB-50P(05)	CL0211-0440-3-05	50	61.11	66.93	52.85	61.11	1.0	15.5	5.87	11.13	15.37	10.04	48pcs per tray



RDDB-50S(05)

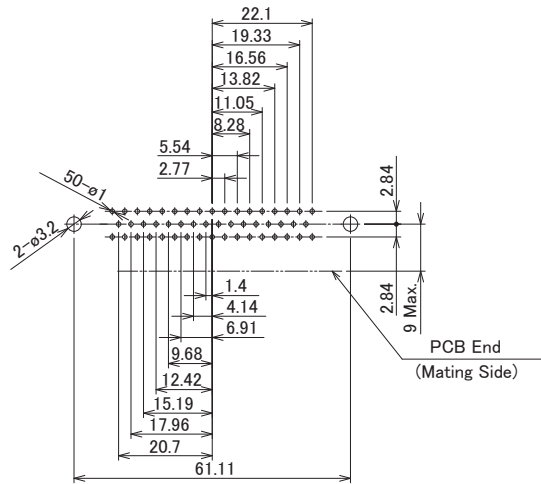


Unit : mm

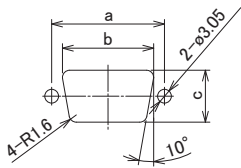
Part No	HRS No.	No. of Pos.	A	B	C	D	E	F	G	H	I	J	Purchase Unit
RDDB-50S(05)	CL0211-0441-6-05	50	61.11	66.93	52.35	61.11	0.8	15.5	6.17	10.63	15.37	10.04	48pcs per tray

## Back Board Dimension Diagram (mm)

### ● RDDB-50



### ■ Panel Cut-Out Dimensions



Unit : mm

Shell Size	a	b	c
D	61.11	56.0	14.3

## While Taking into Consideration

Specifications mentioned in this catalog are reference values.

When considering to order or use this product, please review the Drawing and Product Specifications sheets.

Use an appropriate cable when using the connector in combination with cables.

If considering usage of a non-specified cable, please contact your sales representative.

If assembly process is done by jigs & tools which are not identified by Hirose, the warranty of the product may be affected.

If considering usage for below mentioned applications, please contact your sales representative.

In cases where the application will demand a high level of reliability, such as automotive, medical instruments, public infrastructure, aerospace/defense etc. Hirose must review before assurance of reliability can be given.