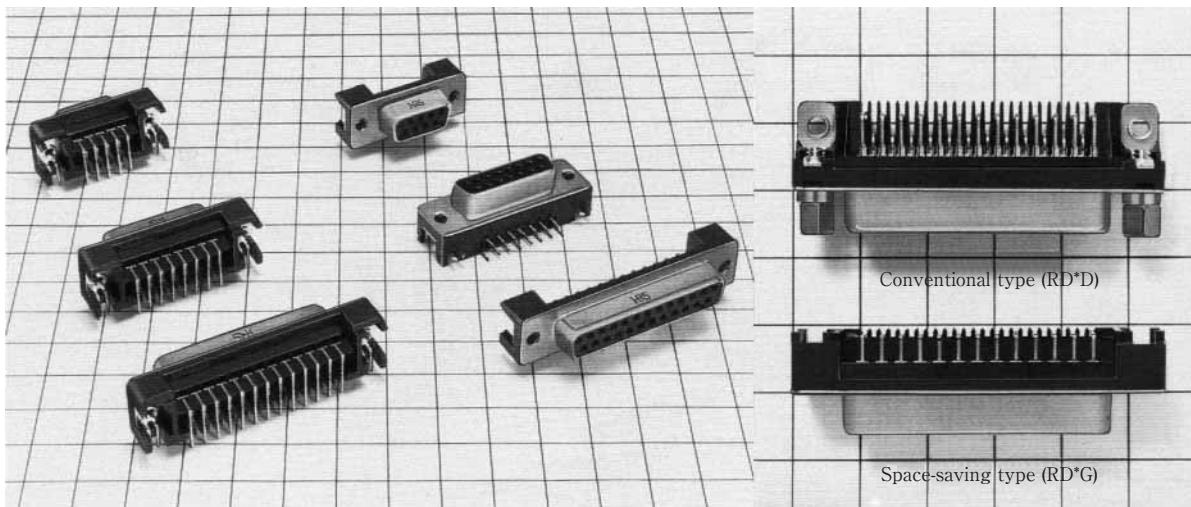


# RD\*G SERIES SPACE-SAVING D-SUBMINIATURE

## General

The "RD\*G" Series Right-angled D-Subminiature connectors are specially developed to answer the needs for smaller and lighter equipment such as personal computers peripherals and workstations.

The PCB mounting section has been reduced in size while the mating section maintains the same configuration as the conventional models. Female 9, 15 and 25 position sizes are available.

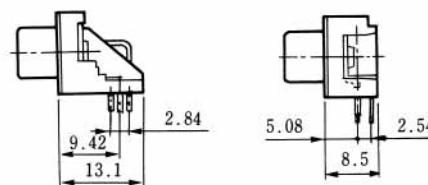


## Features

- (1) 35% Space-saving is achieved in terms of depth and mounting area as compared to the conventional models (HIROSE's RD\* $\text{D}$ )
- (2) Weight is approximately 10% less than conventional models.
- (3) Full interchangeability in terms of mating with conventional D-Subminiature connectors. The mating section meets the international standard.
- (4) For smoother insertion and withdrawal, reliable partly gold-plated tulip-shaped contacts are used (same as the conventional models).
- (5) The lock pin grounding system which solders directly to the substrate eliminates troublesome hold down hardware.
- (6) Since they are fixed to the insulator (caulked), the metallic shells and lock pins do not become loose even when the lock screws are removed. This has improved assembly productivity of the units.

Conventional type (RD\*D)

Space-saving type (RD\*G)



- (7) Two lock pin lengths for substrate thickness: t-1.2mm (0.05") and t-1.6mm (0.062") are available.
- (8) These are two Dip post lengths of 3.5mm and 2.8mm.
- (9) The new connectors are suitable for robotic insertion.
- (10) UL94V-0 insulator material offers excellent heat resistant and chemical resistant capability.
- (11) Metal shell structure offers improved grounding and EMI immunity.

## Application

Electronic equipment such as personal computers, peripherals, workstations, measuring instruments, communications equipment, FA and control devices.

## Electrical and Environmental

Electrical performance	
Current capacity	3A
Voltage rating	350V AC
Insulation resistance	5,000 ohms min. at 500V DC
Contact resistance	25m ohms max at 100mA DC
Withstanding voltage	1,250V AC r.m.s. for one minute

## Materials

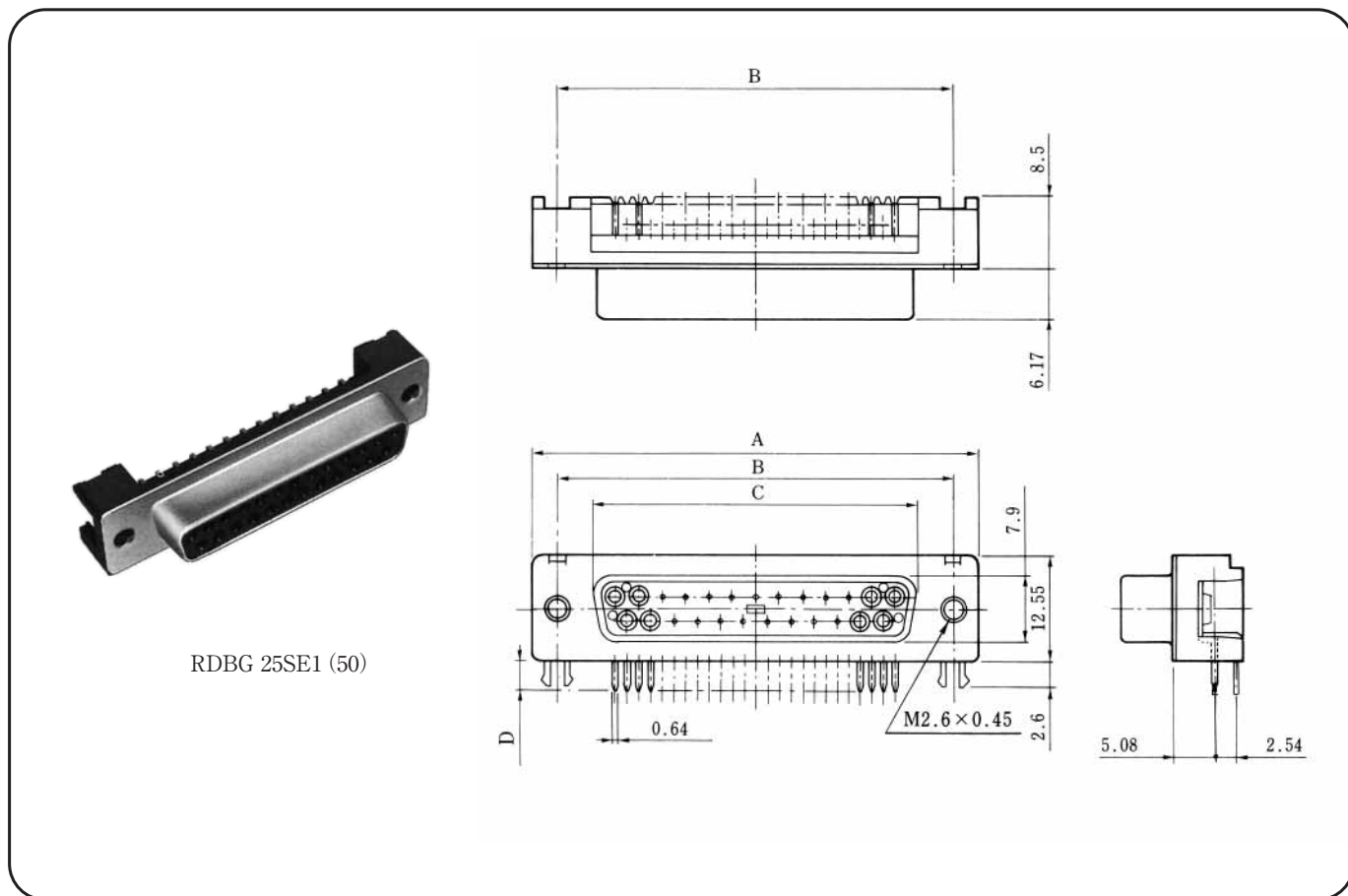
Materials		
Shell	Copper	Nickel plating
Insulator	PBT	Black (UL94V-0)
Contact	Copper alloy	Nickel plating + selective gold plating
Lock pin	Copper alloy	Tin plating

## Ordering Informations

R D   B   G   1   —   25   S   E   1   (50)  
 |   |   |   |   |   |   |   |   |  
 (1) (2) (3) (4)   (5) (6) (7) (8) (9)

- (1) Series name: D Sub-right angled
- (2) Shell size: E (9), A (15), B (25)
- (3) Model type: G=Space saving type
- (4) Dip post length: Blank=3.5mm (.138")  
 1=2.8mm (.110")
- (5) No of contacts: 9, 15, 25
- (6) Connector style: S=Female
- (7) Mounting style: E=Grounding lock pin
- (8) Applicable board thickness: 1=(t1.6mm) 1.6mm (0.62"),  
 2=(t1.2mm) 1.2mm(0.50")
- (9) Specification contents  
 (50): Nickel plating

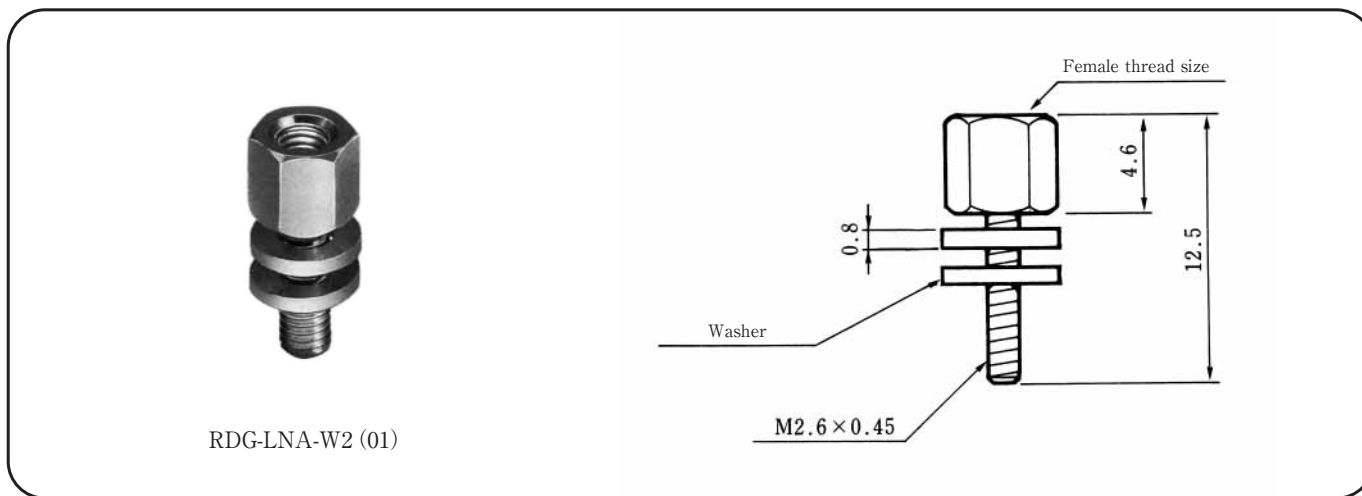
## Female Connector



Unit: mm

HRS No	Part No.	No. of Contacts	A	B	C	D	Applicable substrate thickness	RoHS
CL211-5200-7-50	RDEG-9SE1 (50)	9	30.81	24.99	16.34	3.5	1.6	YES
CL211-5201-0-50	RDEG-9SE2 (50)						1.2	
CL211-5204-8-50	RDAG-15SE1 (50)	15	39.14	33.32	24.66		1.6	
CL211-5205-0-50	RDAG-15SE2 (50)						1.2	
CL211-5206-3-50	RDBG-25SE1 (50)	25	53.04	47.04	38.38		1.6	
CL211-5207-6-50	RDBG-25SE2 (50)						1.2	
CL211-5250-5-50	RDEG1-9SE1 (50)	9	30.81	24.99	16.34	2.8	1.6	
CL211-5251-8-50	RDEG1-9SE2 (50)						1.2	
CL211-5254-6-50	RDAG1-15SE1 (50)	15	39.14	33.32	24.66		1.6	
CL211-5255-9-50	RDAG1-15SE2 (50)						1.2	
CL211-5256-1-50	RDBG1-25SE1 (50)	25	53.04	47.04	38.38		1.6	
CL211-5257-4-50	RDBG1-25SE2 (50)						1.2	

## Locking Screw

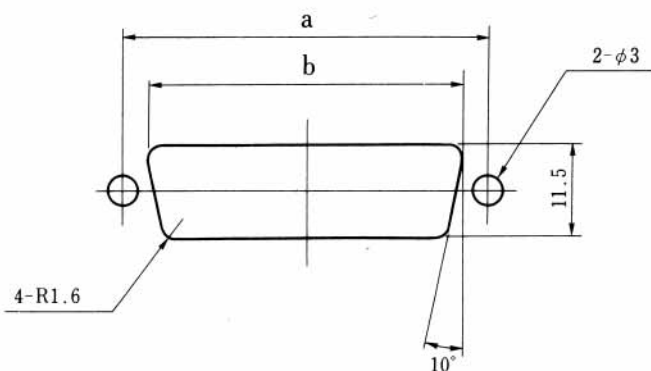


HRS No	Part No.	Female thread size	No. of washers	Applicable panel thickness	Packaging unit (per bag)	RoHS
CL211-5180-1-01	RDG-LNA (01)	M2.6 × 0.45	0	1.6~2.0	100pieces	YES
CL211-5181-4-01	RDG-LNA-W1 (01)		1	0.8~1.2		
CL211-5182-7-01	RDG-LNA-W2 (01)		2	0~0.4		
CL211-5183-0-01	RDG-LNA (4-40) (01)	No.4-40UNC	0	1.6~2.0	100pieces	
CL211-5184-2-01	RDG-LNA (4-40)-W1 (01)		1	0.8~1.2		
CL211-5185-5-01	RDG-LNA (4-40)-W2 (01)		2	0~0.4		

\*All models are nickel-plated

## Panel Mounting Dimensions

For hexagon locking screws

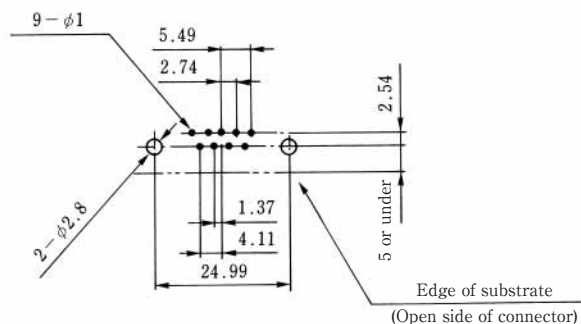


Unit: mm

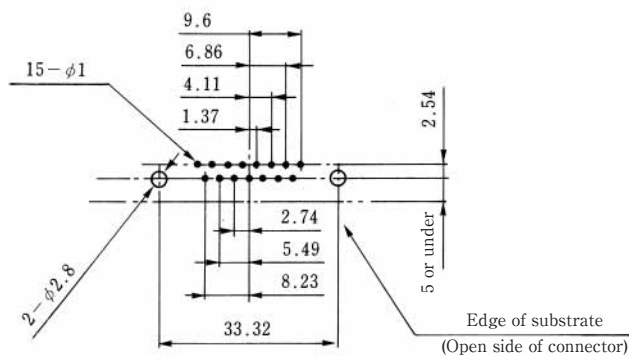
Shell Size	a	b
E	24.99	20.2
A	33.32	28.6
B	47.04	42.3

## PC Board Layout (mm)

- RDEG-9SE1 (50) (Substrate thickness  $t=1.6$ )
- RDEG1-9SE1 (50) (Substrate thickness  $t=1.6$ )
- RDEG-9SE2 (50) (Substrate thickness  $t=1.2$ )
- RDEG1-9SE2 (50) (Substrate thickness  $t=1.2$ )



- RDEG-15SE1 (50) (Substrate thickness  $t=1.6$ )
- RDEG1-15SE1 (50) (Substrate thickness  $t=1.6$ )
- RDEG-15SE2 (50) (Substrate thickness  $t=1.2$ )
- RDEG1-15SE2 (50) (Substrate thickness  $t=1.2$ )



- RDEG-25SE1 (50) (Substrate thickness  $t=1.6$ )
- RDEG1-25SE1 (50) (Substrate thickness  $t=1.6$ )
- RDEG-25SE2 (50) (Substrate thickness  $t=1.2$ )
- RDEG1-25SE2 (50) (Substrate thickness  $t=1.2$ )

