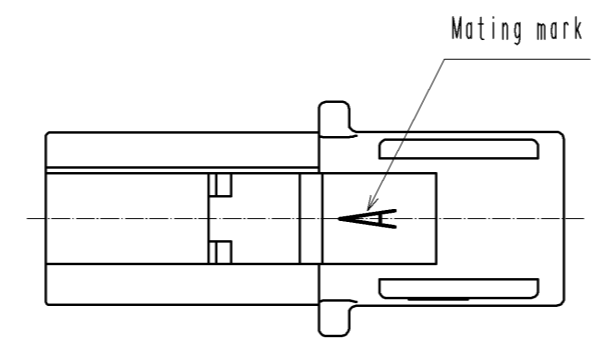
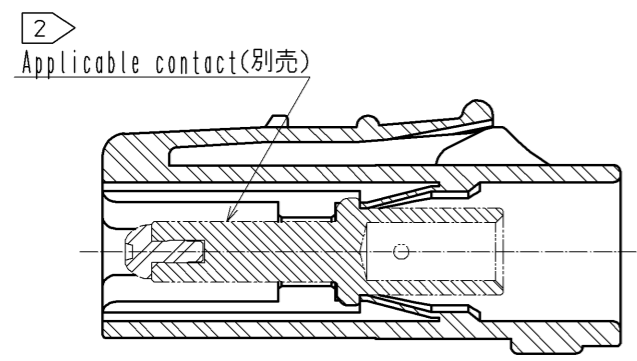
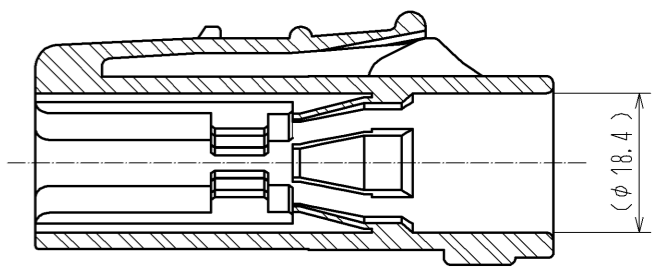
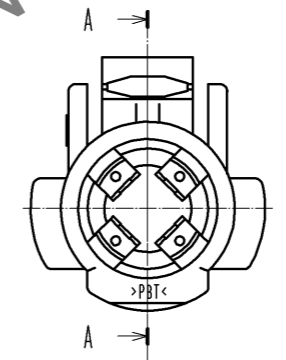
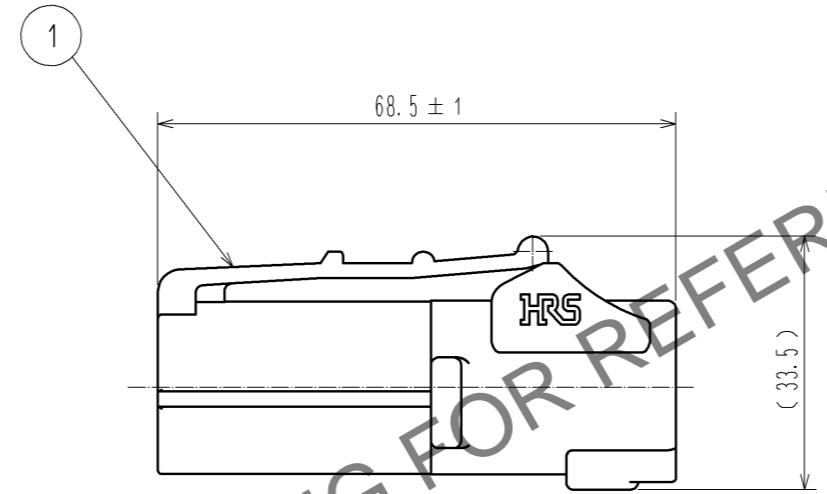
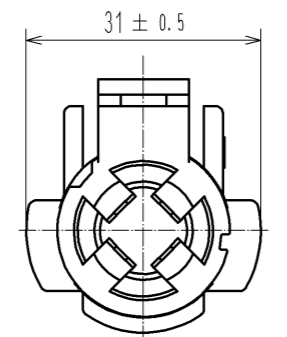


Apr.1.2026 Copyright 2026 HIROSE ELECTRIC CO., LTD. All Rights Reserved.  
 In case of consideration for using Automotive equipment / device which demand high reliability, kindly contact our sales window correspondents.

The state applicable contact assembled

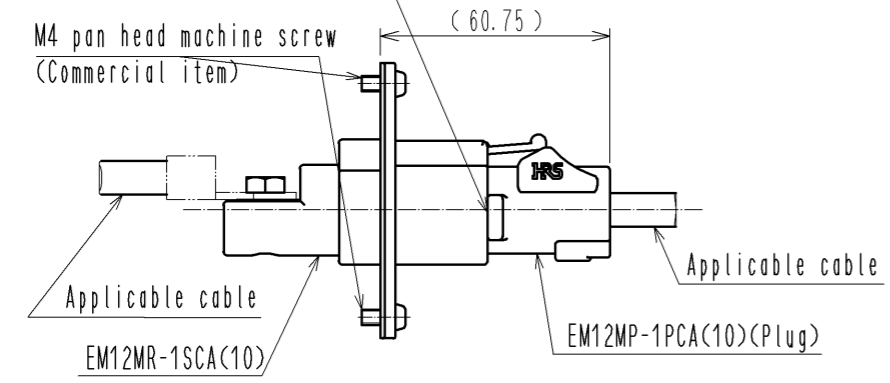


Notes ⚠ WARNING 1 This connector is not hot pluggable.  
 2 Applicable crimp contacts:  
 EV1-PC-112(02)(CL139-0004-9-02)  
 EV1-PC1-112(02)(CL139-0005-1-02)  
 ⚠ WARNING 3 Make sure that the connector is inserted to the end and locked when mated. Confirm that the connector is not unintentionally released by pulling the cable with light force to prevent incomplete mating condition.



HRS DRAWING FOR REFERENCE

Dimension in mated condition (1:2)  
 When mated, the plug is to be at this indicated position.



1	PBT	UL94V-0 (Red)					
NO.	MATERIAL	FINISH . REMARKS	NO.	MATERIAL	FINISH . REMARKS		
UNITS	⊙	SCALE	△	COUNT	DESCRIPTION OF REVISIONS	DESIGNED	CHECKED
mm		1 : 1					
<b>HRS</b> HIROSE ELECTRIC CO., LTD.		APPROVED : SU. OBARA	14. 02. 04	DRAWING NO.		EDC3-118305-10	
		CHECKED : HY. KOBAYASHI	14. 02. 04	PART NO.		EM12MP-1PCA(10)	
		DESIGNED : HS. KAWASHIMA	14. 02. 04	CODE NO.		CL138-0031-5-10	
		DRAWN : HS. KAWASHIMA	14. 02. 04			1/1	