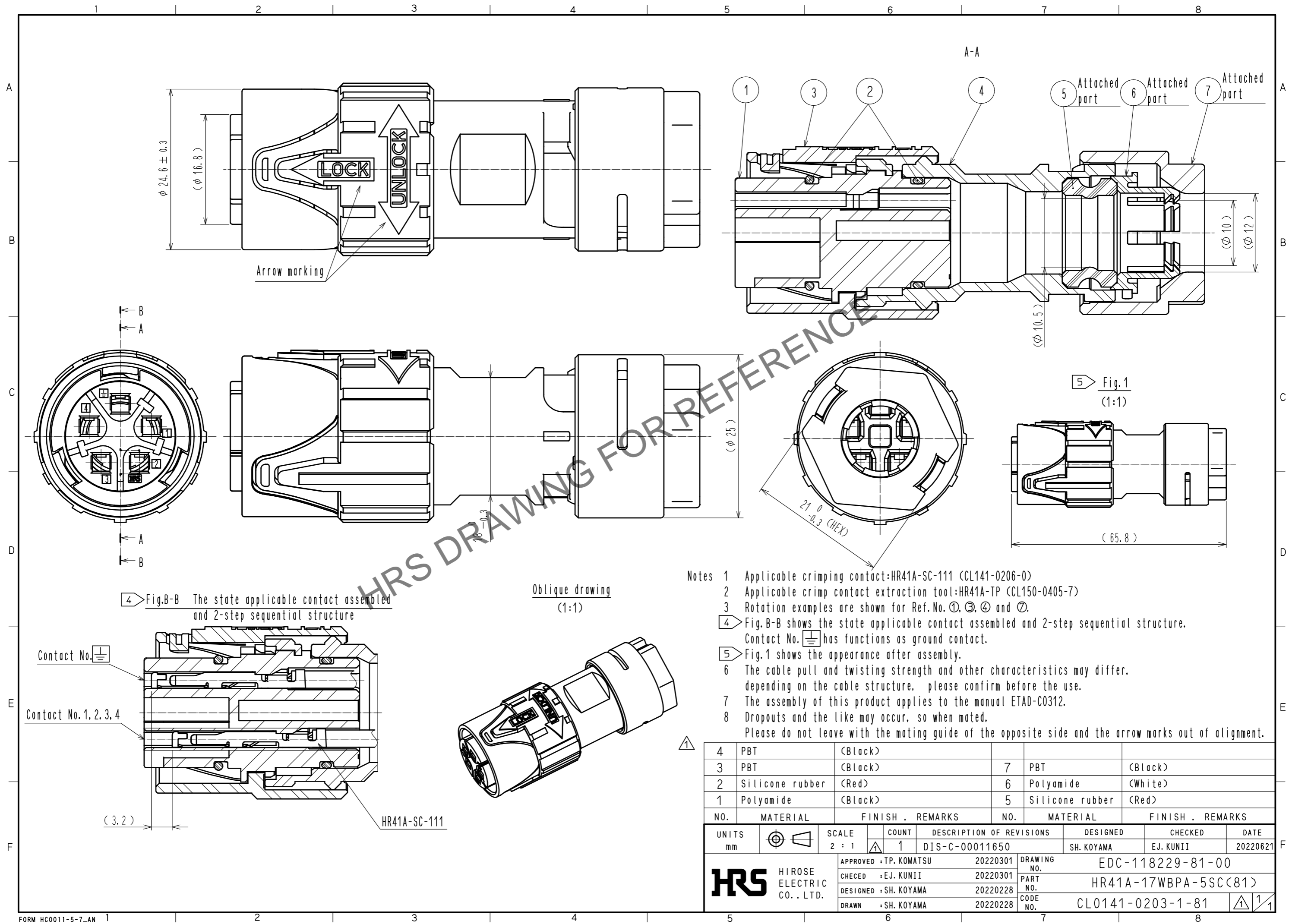


Jun.1.2024 Copyright 2024 HIROSE ELECTRIC CO., LTD. All Rights Reserved.  
 In case of consideration for using Automotive equipment / device which demand high reliability, kindly contact our sales window correspondents.



- Notes
- 1 Applicable crimping contact:HR41A-SC-111 (CL141-0206-0)
  - 2 Applicable crimp contact extraction tool:HR41A-TP (CL150-0405-7)
  - 3 Rotation examples are shown for Ref.No. ①, ③, ④ and ⑦.
  - 4 Fig.B-B shows the state applicable contact assembled and 2-step sequential structure. Contact No. has functions as ground contact.
  - 5 Fig.1 shows the appearance after assembly.
  - 6 The cable pull and twisting strength and other characteristics may differ, depending on the cable structure. please confirm before the use.
  - 7 The assembly of this product applies to the manual ETAD-C0312.
  - 8 Dropouts and the like may occur, so when mated. Please do not leave with the mating guide of the opposite side and the arrow marks out of alignment.

4	PBT	(Black)					
3	PBT	(Black)		7	PBT	(Black)	
2	Silicone rubber	(Red)		6	Polyamide	(White)	
1	Polyamide	(Black)		5	Silicone rubber	(Red)	
NO.	MATERIAL	FINISH	REMARKS	NO.	MATERIAL	FINISH	REMARKS

UNITS		SCALE	COUNT	DESCRIPTION OF REVISIONS	DESIGNED	CHECKED	DATE
mm		2 : 1	1	DIS-C-00011650	SH. KOYAMA	EJ. KUNII	20220621
APPROVED : TP. KOMATSU				20220301	DRAWING NO. EDC-118229-81-00		
CHECKED : EJ. KUNII				20220301	PART NO. HR41A-17WBPA-5SC(81)		
DESIGNED : SH. KOYAMA				20220228	CODE NO. CL0141-0203-1-81		
DRAWN : SH. KOYAMA				20220228	1/1		