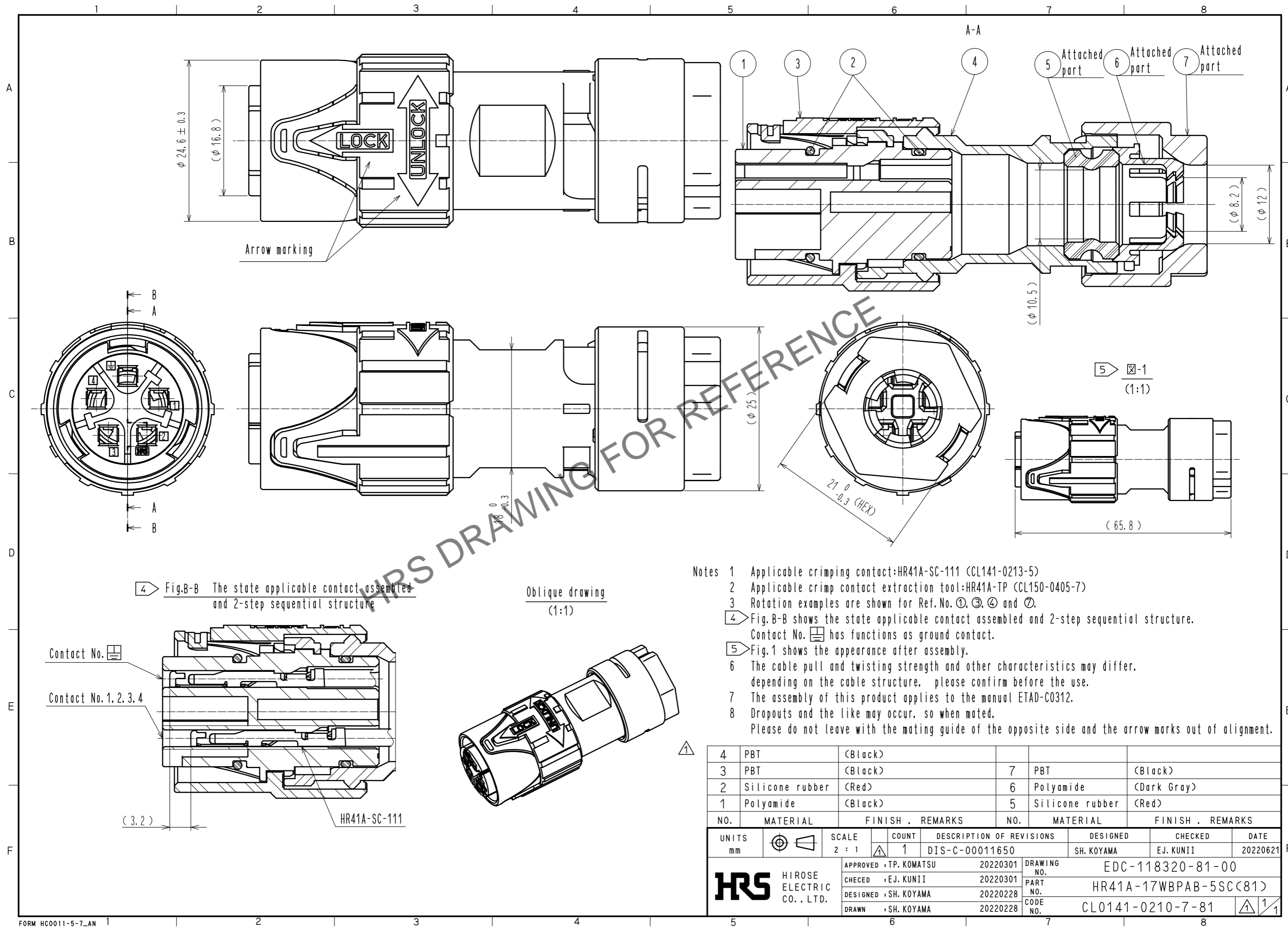


Jun.1.2024 Copyright 2024 HIROSE ELECTRIC CO., LTD. All Rights Reserved.
 In case of consideration for using Automotive equipment / device which demand high reliability, kindly contact our sales window correspondents.



HRS DRAWING FOR REFERENCE

- Notes
- 1 Applicable crimping contact:HR41A-SC-111 (CL141-0213-5)
 - 2 Applicable crimp contact extraction tool:HR41A-TP (CL150-0405-7)
 - 3 Rotation examples are shown for Ref.No. ①, ③, ④ and ⑦.
 - ④ Fig.B-B shows the state applicable contact assembled and 2-step sequential structure. Contact No. ⑤ has functions as ground contact.
 - ⑤ Fig.1 shows the appearance after assembly.
 - 6 The cable pull and twisting strength and other characteristics may differ, depending on the cable structure. please confirm before the use.
 - 7 The assembly of this product applies to the manual ETAD-C0312.
 - 8 Dropouts and the like may occur, so when mated, Please do NOT leave with the mating guide of the opposite side and the arrow marks out of alignment.

4	PBT	(Black)					
3	PBT	(Black)			7	PBT	(Black)
2	Silicone rubber	(Red)			6	Polyamide	(Dark Gray)
1	Polyamide	(Black)			5	Silicone rubber	(Red)
NO.	MATERIAL	FINISH	REMARKS	NO.	MATERIAL	FINISH	REMARKS

UNITS mm		SCALE 2 : 1	COUNT 1	DESCRIPTION OF REVISIONS DIS-C-00011650	DESIGNED SH. KOYAMA	CHECKED EJ. KUNII	DATE 20220621
APPROVED : TP. KOMATSU 20220301				DRAWING NO. EDC-118320-81-00			
CHECKED : EJ. KUNII 20220301				PART NO. HR41A-17WBPAB-5SC(81)			
DESIGNED : SH. KOYAMA 20220228				CODE NO. CL0141-0210-7-81			
DRAWN : SH. KOYAMA 20220228				①/1			