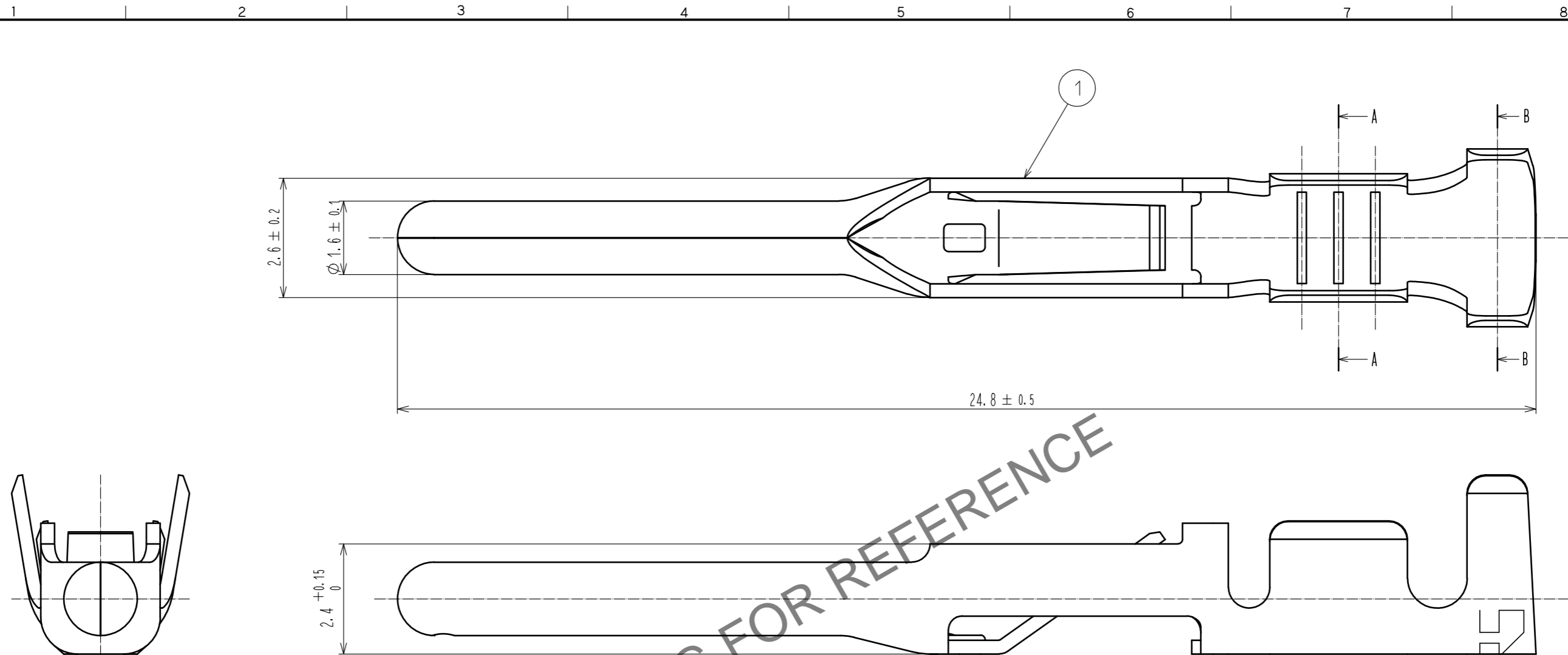
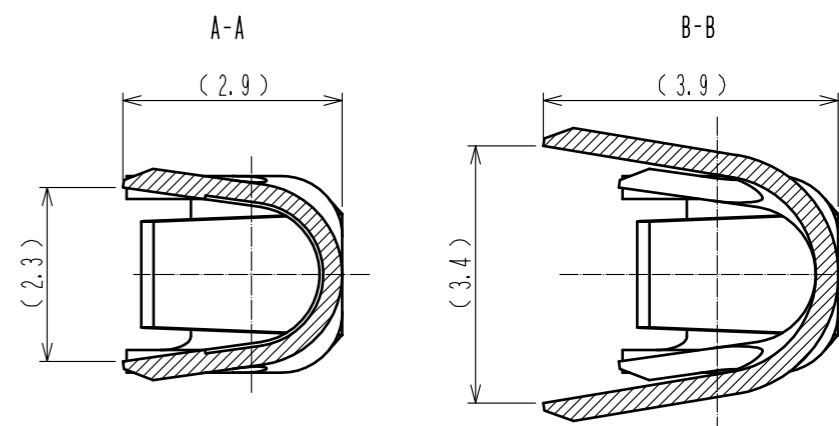


Jul.1.2024 Copyright 2024 HIROSE ELECTRIC CO., LTD. All Rights Reserved.  
 In case of consideration for using Automotive equipment / device which demand high reliability, kindly contact our sales window correspondents.



- Notes
- 1 This product is apply to the wire #16 to #20.  
(Jacket diameter :  $\phi$ 1.9 to 3.2mm)
  - 2 Applicable crimping tool : HT802/HR41A-11-16 (CL150-0408-5)(Applicable to AWG#16)  
HT802/HR41A-11-18 (CL150-0404-4)(Applicable to AWG#18)  
HT802/HR41A-11-20 (CL150-0407-2)(Applicable to AWG#20)
  - 3 Applicable extraction tool : HR41A-TP(CL150-0405-7)
  - 4 Per reel : 100 contacts
  - 5 Contact plating : Gold plating 0.76 $\mu$ m min.
  - 1 Terminal plating : Tin plating 0.5 $\mu$ m min.  
Underplating : Nickel plating 2 $\mu$ m min.



| 1                                    | Copper alloy | 5        |            |                          |                            |            |           |          |
|--------------------------------------|--------------|----------|------------|--------------------------|----------------------------|------------|-----------|----------|
| NO.                                  | MATERIAL     | FINISH   | REMARKS    | NO.                      | MATERIAL                   | FINISH     | REMARKS   |          |
| UNITS                                |              | SCALE    | COUNT      | DESCRIPTION OF REVISIONS |                            | DESIGNED   | CHECKED   | DATE     |
| mm                                   |              | 10:1     | 1          | DIS-C-00000101           |                            | HN. TANAKA | HY. KISHI | 15.02.10 |
| <b>HRS</b> HIROSE ELECTRIC CO., LTD. |              | APPROVED | SU. OBARA  | 14.05.16                 | DRAWING NO. EDC3-118389-00 |            |           |          |
|                                      |              | CHECKED  | HY. KISHI  | 14.05.16                 | PART NO. HR41A-PC-111      |            |           |          |
|                                      |              | DESIGNED | HN. TANAKA | 14.05.15                 | CODE NO. CL141-0214-8-00   |            |           |          |
|                                      |              | DRAWN    | HN. TANAKA | 14.05.15                 | 1/1                        |            |           |          |