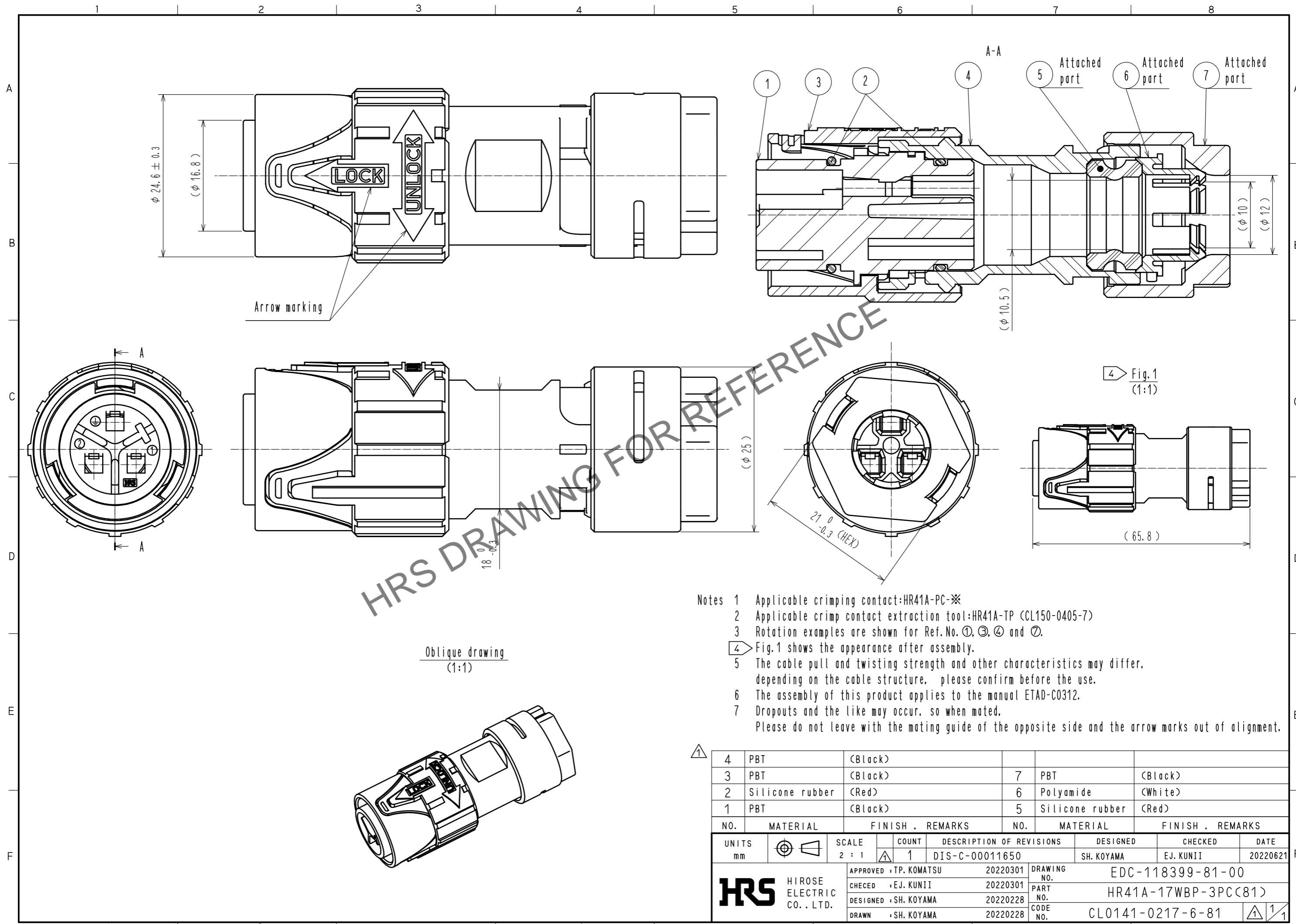


May.1.2024 Copyright 2024 HIROSE ELECTRIC CO., LTD. All Rights Reserved.
In case of consideration for using Automotive equipment / device which demand high reliability, kindly contact our sales window correspondents.



- Notes
- 1 Applicable crimping contact:HR41A-PC-※
 - 2 Applicable crimp contact extraction tool:HR41A-TP (CL150-0405-7)
 - 3 Rotation examples are shown for Ref.No. ①, ③, ④ and ⑦.
 - 4 Fig.1 shows the appearance after assembly.
 - 5 The cable pull and twisting strength and other characteristics may differ, depending on the cable structure, please confirm before the use.
 - 6 The assembly of this product applies to the manual ETAD-C0312.
 - 7 Dropouts and the like may occur, so when mated, Please do not leave with the mating guide of the opposite side and the arrow marks out of alignment.

4	PBT	(Black)						
3	PBT	(Black)		7	PBT	(Black)		
2	Silicone rubber	(Red)		6	Polyamide	(White)		
1	PBT	(Black)		5	Silicone rubber	(Red)		
NO.	MATERIAL	FINISH .	REMARKS	NO.	MATERIAL	FINISH .	REMARKS	
UNITS		SCALE	COUNT	DESCRIPTION OF REVISIONS		DESIGNED	CHECKED	DATE
mm		2 : 1	1	DIS-C-00011650		SH. KOYAMA	EJ. KUNII	20220621
HRS HIROSE ELECTRIC CO., LTD.		APPROVED	TP. KOMATSU	20220301	DRAWING NO. EDC-118399-81-00			
		CHECKED	EJ. KUNII	20220301	PART NO. HR41A-17WBP-3PC(81)			
		DESIGNED	SH. KOYAMA	20220228	CODE NO. CL0141-0217-6-81			
		DRAWN	SH. KOYAMA	20220228	1/1			