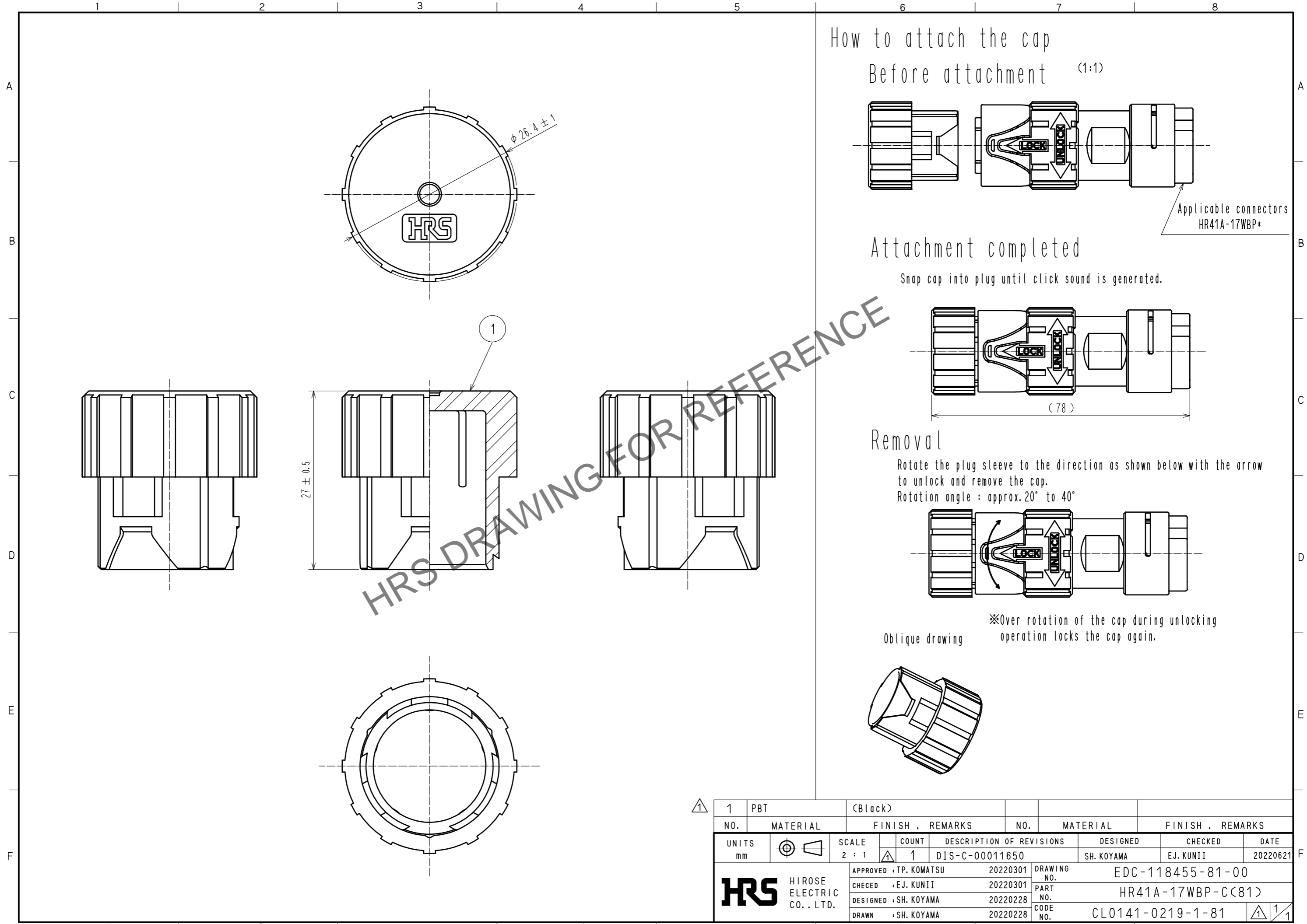
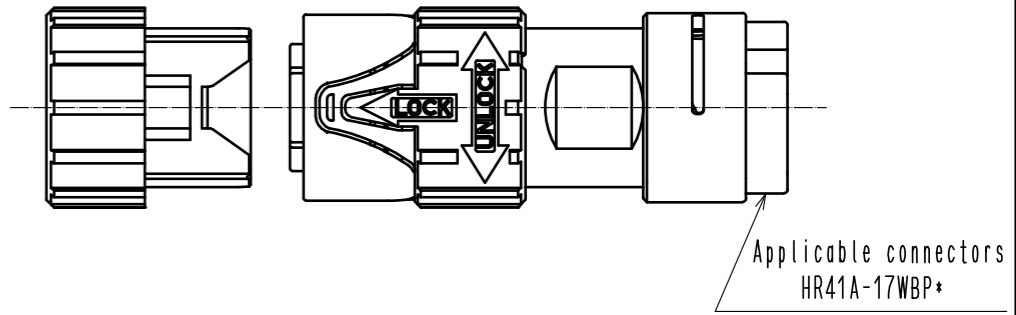


Jul.1.2024 Copyright 2024 HIROSE ELECTRIC CO., LTD. All Rights Reserved.  
 In case of consideration for using Automotive equipment / device which demand high reliability, kindly contact our sales window correspondents.

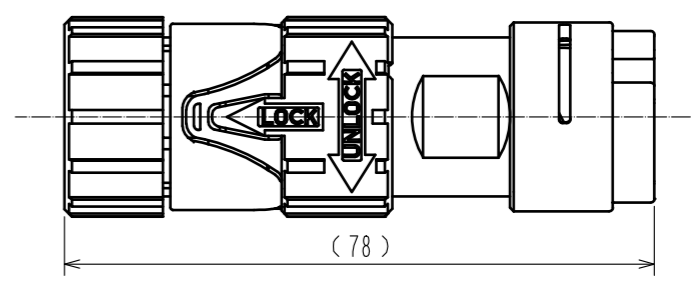


How to attach the cap  
Before attachment (1:1)



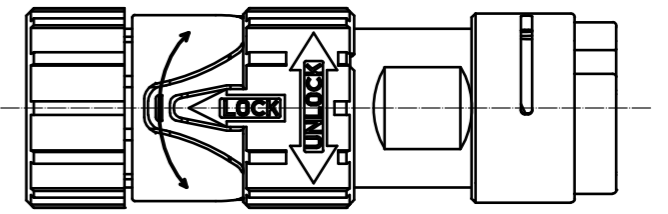
Attachment completed

Snap cap into plug until click sound is generated.

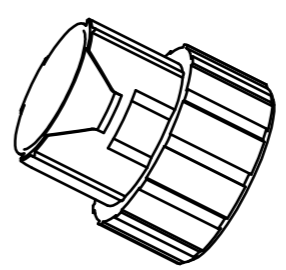


Removal

Rotate the plug sleeve to the direction as shown below with the arrow to unlock and remove the cap.  
Rotation angle : approx. 20° to 40°



Oblique drawing  
\*Over rotation of the cap during unlocking operation locks the cap again.



1	PBT	(Black)							
NO.	MATERIAL	FINISH	REMARKS	NO.	MATERIAL	FINISH	REMARKS		
UNITS			SCALE	COUNT	DESCRIPTION OF REVISIONS		DESIGNED	CHECKED	DATE
mm			2 : 1	1	DIS-C-00011650		SH. KOYAMA	EJ. KUNII	20220621
HIROSE ELECTRIC CO., LTD.			APPROVED	TP. KOMATSU	20220301	DRAWING NO.		EDC-118455-81-00	
			CHECKED	EJ. KUNII	20220301	PART NO.		HR41A-17WBP-C(81)	
			DESIGNED	SH. KOYAMA	20220228	CODE NO.		CL0141-0219-1-81	
			DRAWN	SH. KOYAMA	20220228				