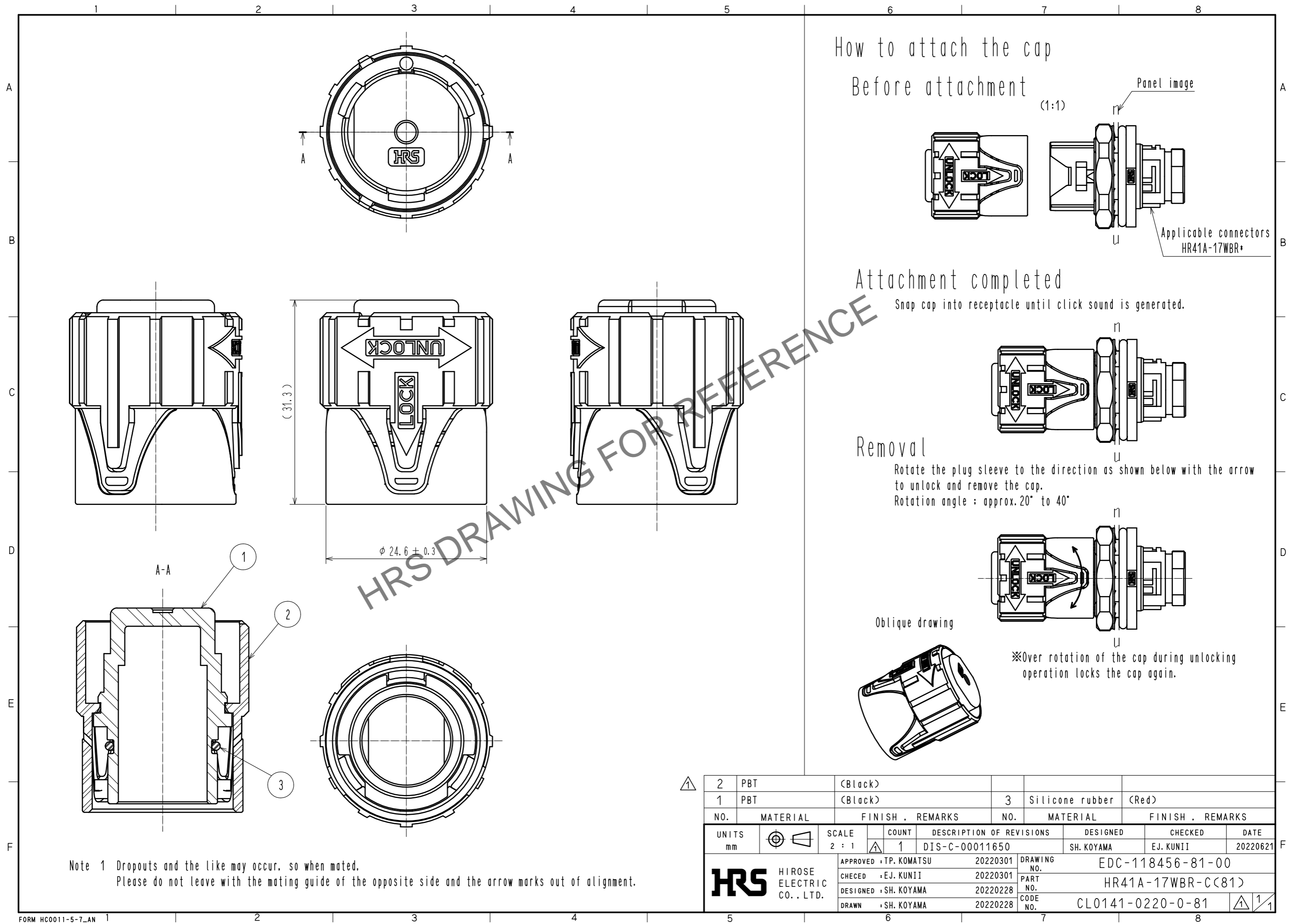
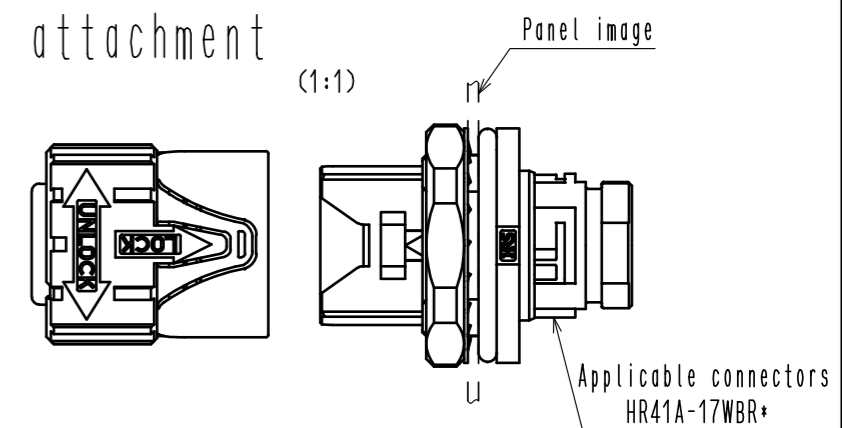


Jun.1.2024 Copyright 2024 HIROSE ELECTRIC CO., LTD. All Rights Reserved.
In case of consideration for using Automotive equipment / device which demand high reliability, kindly contact our sales window correspondents.

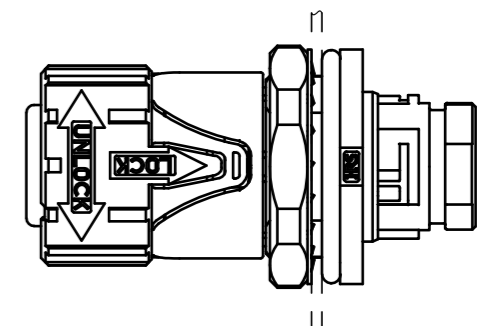


How to attach the cap
Before attachment



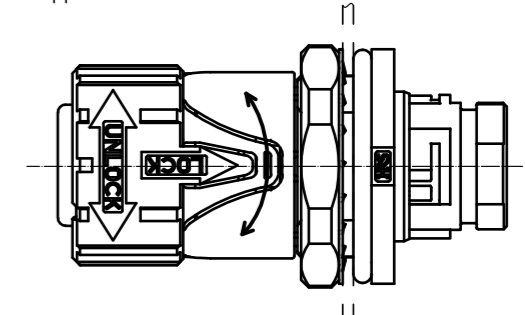
Attachment completed

Snap cap into receptacle until click sound is generated.

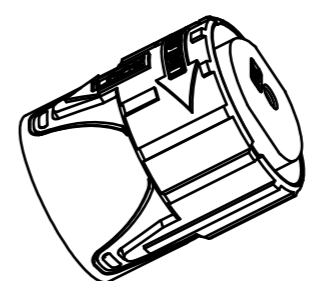


Removal

Rotate the plug sleeve to the direction as shown below with the arrow to unlock and remove the cap.
Rotation angle : approx. 20° to 40°



Oblique drawing



※Over rotation of the cap during unlocking operation locks the cap again.

Note 1 Dropouts and the like may occur, so when mated.
Please do not leave with the mating guide of the opposite side and the arrow marks out of alignment.

2	PBT	(Black)							
1	PBT	(Black)		3	Silicone rubber	(Red)			
NO.	MATERIAL	FINISH .	REMARKS	NO.	MATERIAL	FINISH .	REMARKS		
UNITS	mm	SCALE	2 : 1	COUNT	1	DESCRIPTION OF REVISIONS	DESIGNED	CHECKED	DATE
						DIS-C-00011650	SH. KOYAMA	EJ. KUNII	20220621
HRS		HIROSE ELECTRIC CO., LTD.		APPROVED	TP. KOMATSU	20220301	DRAWING NO.		EDC-118456-81-00
				CHECKED	EJ. KUNII	20220301	PART NO.		HR41A-17WBR-C(81)
				DESIGNED	SH. KOYAMA	20220228	CODE NO.		CL0141-0220-0-81
				DRAWN	SH. KOYAMA	20220228			1/1