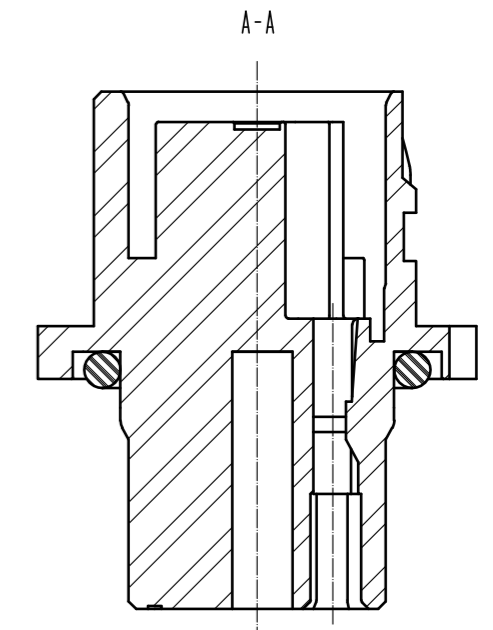
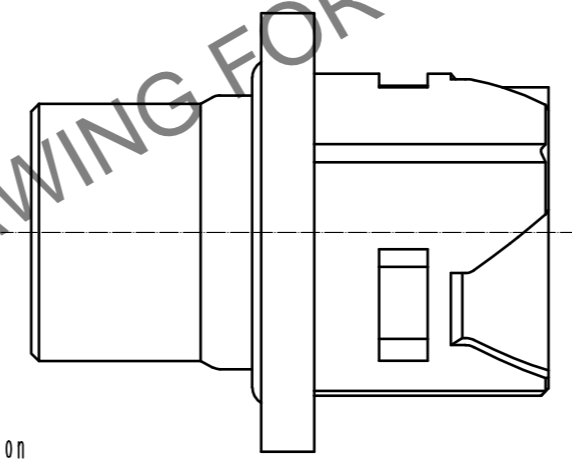
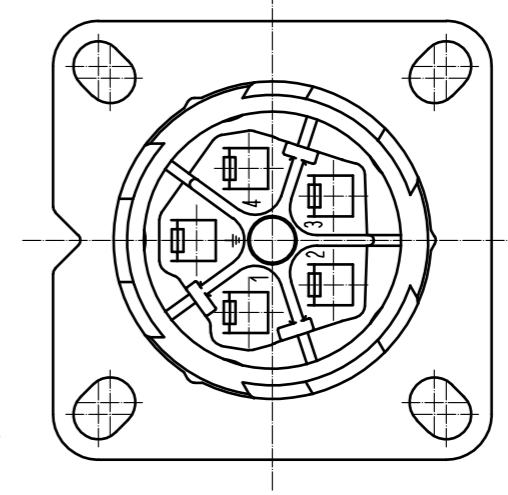
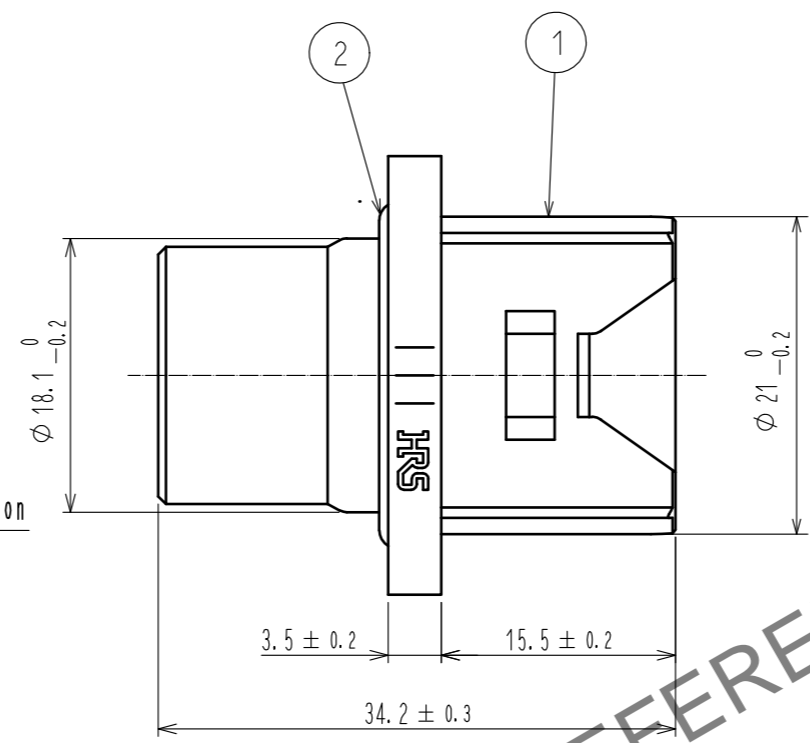
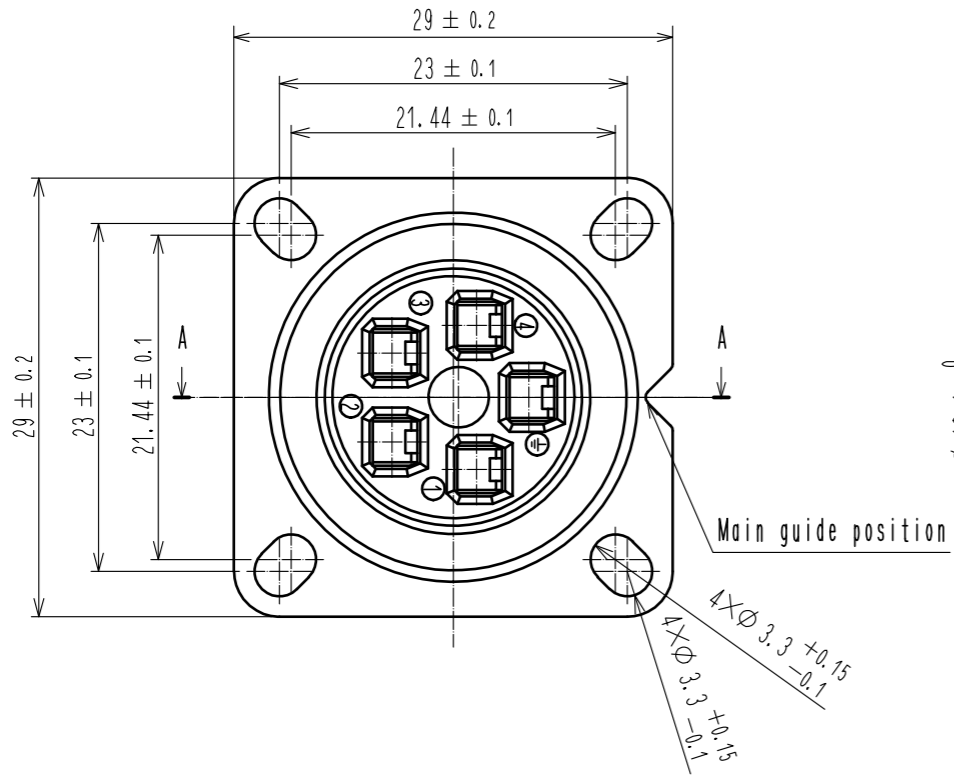
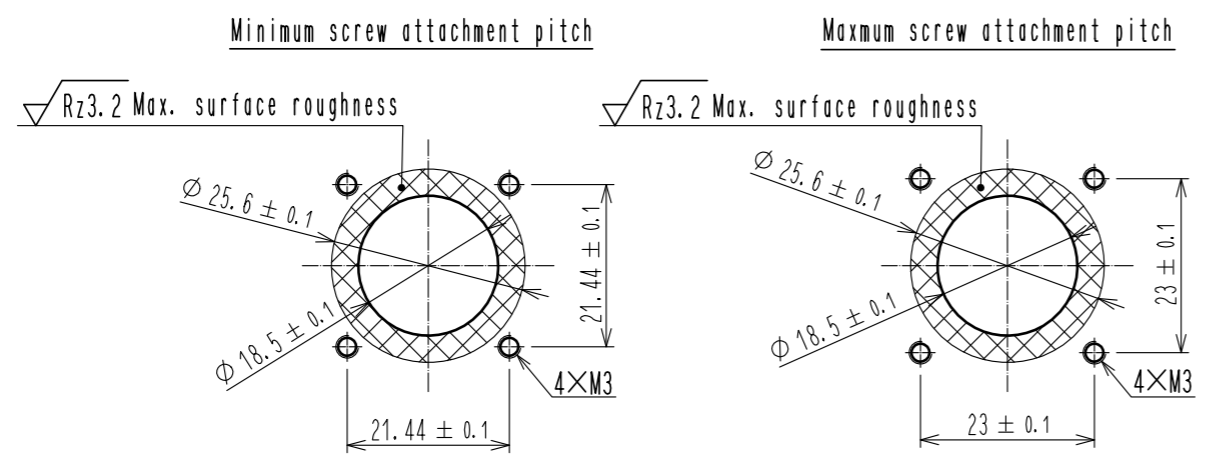


Jun.1.2024 Copyright 2024 HIROSE ELECTRIC CO., LTD. All Rights Reserved.
In case of consideration for using Automotive equipment / device which demand high reliability, kindly contact our sales window correspondents.



4 Fig.1 The recommended panel dimension (1:1) (As view from mating side)



- Notes
- 1 Applicable crimping contact:HR41A-PC-111 (CL141-0214-8)
 - 2 Applicable crimp contact extraction tool:HR41A-TP (CL150-0405-7)
 - 3 The recommended tightening torque of M3 screw to be 0.4 N·m.
 - 4 Fig.1 shows the recommended panel dimension.
 - 5 Please check Ref.No. ② is properly set at the groove of Ref.No. ①. While mounting the connector, make sure that Ref.No. ② is not caught.

1	PBT	(Black)	2	Silicone rubber	(Red)		
NO.	MATERIAL	FINISH . REMARKS	NO.	MATERIAL	FINISH . REMARKS		
UNITS	mm	SCALE	COUNT	DESCRIPTION OF REVISIONS	DESIGNED	CHECKED	DATE
		2 : 1	1	DIS-C-00011650	SH. KOYAMA	EJ. KUNII	20220621
APPROVED : TP. KOMATSU				20220301	DRAWING NO. EDC-118468-81-00		
CHECED : EJ. KUNII				20220301	PART NO. HR41A-17WBRB-5PC(81)		
DESIGNED : SH. KOYAMA				20220228	CODE NO. CL0141-0222-6-81		
DRAWN : SH. KOYAMA				20220228	1/1		