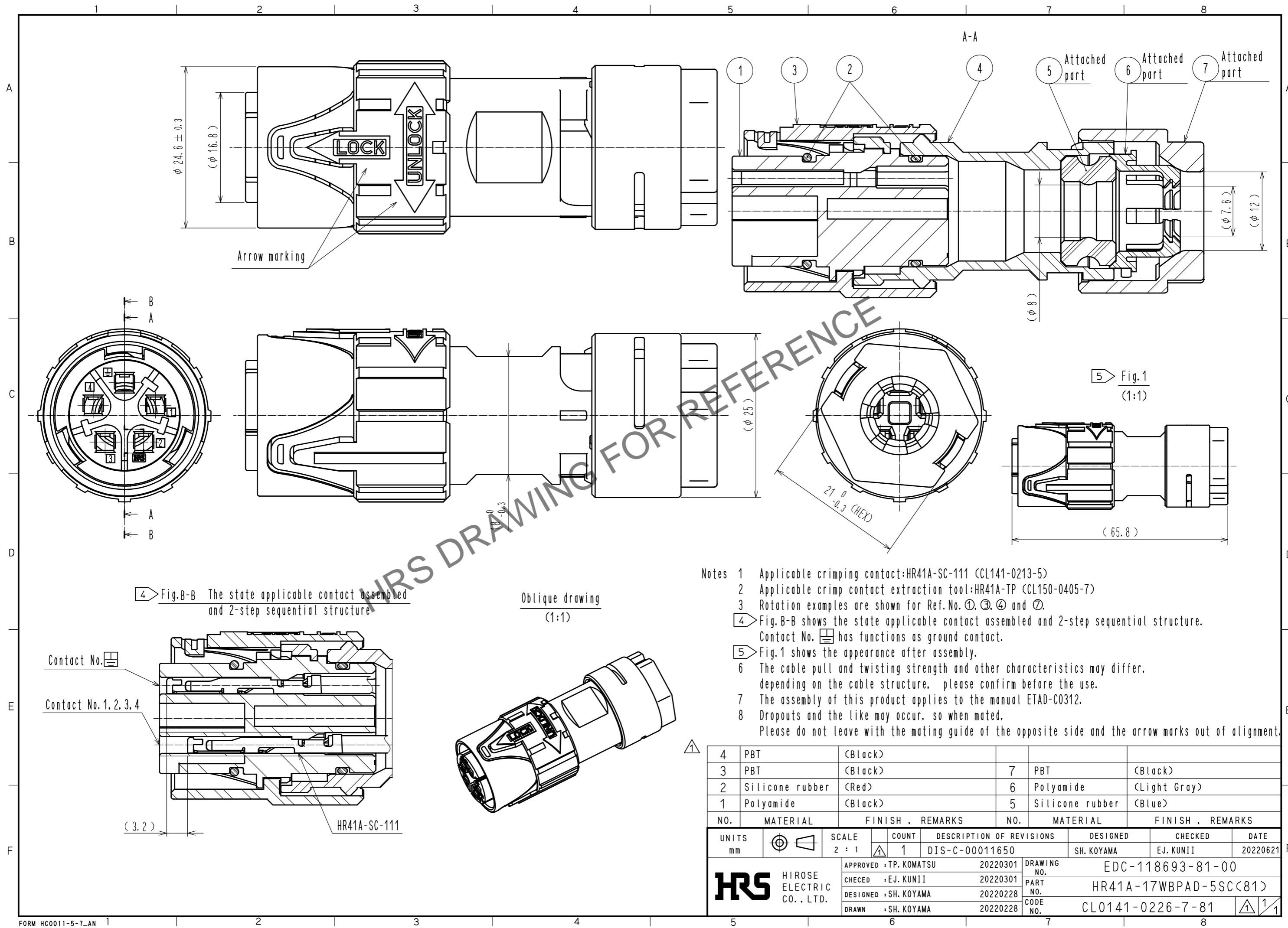


Jun.1.2024 Copyright 2024 HIROSE ELECTRIC CO., LTD. All Rights Reserved.  
 In case of consideration for using Automotive equipment / device which demand high reliability, kindly contact our sales window correspondents.



- Notes
- 1 Applicable crimping contact:HR41A-SC-111 (CL141-0213-5)
  - 2 Applicable crimp contact extraction tool:HR41A-TP (CL150-0405-7)
  - 3 Rotation examples are shown for Ref.No. ①, ③, ④ and ⑦.
  - ④ Fig.B-B shows the state applicable contact assembled and 2-step sequential structure. Contact No. ④ has functions as ground contact.
  - ⑤ Fig.1 shows the appearance after assembly.
  - 6 The cable pull and twisting strength and other characteristics may differ, depending on the cable structure. please confirm before the use.
  - 7 The assembly of this product applies to the manual ETAD-C0312.
  - 8 Dropouts and the like may occur, so when mated, Please do not leave with the mating guide of the opposite side and the arrow marks out of alignment.

NO.	MATERIAL	FINISH	REMARKS	NO.	MATERIAL	FINISH	REMARKS
4	PBT	(Black)		7	PBT	(Black)	
3	PBT	(Black)		6	Polyamide	(Light Gray)	
2	Silicone rubber	(Red)		5	Silicone rubber	(Blue)	
1	Polyamide	(Black)					

UNITS	SCALE	COUNT	DESCRIPTION OF REVISIONS	DESIGNED	CHECKED	DATE
mm	2 : 1	1	DIS-C-00011650	SH. KOYAMA	EJ. KUNII	20220621

APPROVED	DATE	DRAWING NO.
TP. KOMATSU	20220301	EDC-118693-81-00
EJ. KUNII	20220301	PART NO. HR41A-17WBPAD-5SC(81)
SH. KOYAMA	20220228	CODE NO. CL0141-0226-7-81
SH. KOYAMA	20220228	