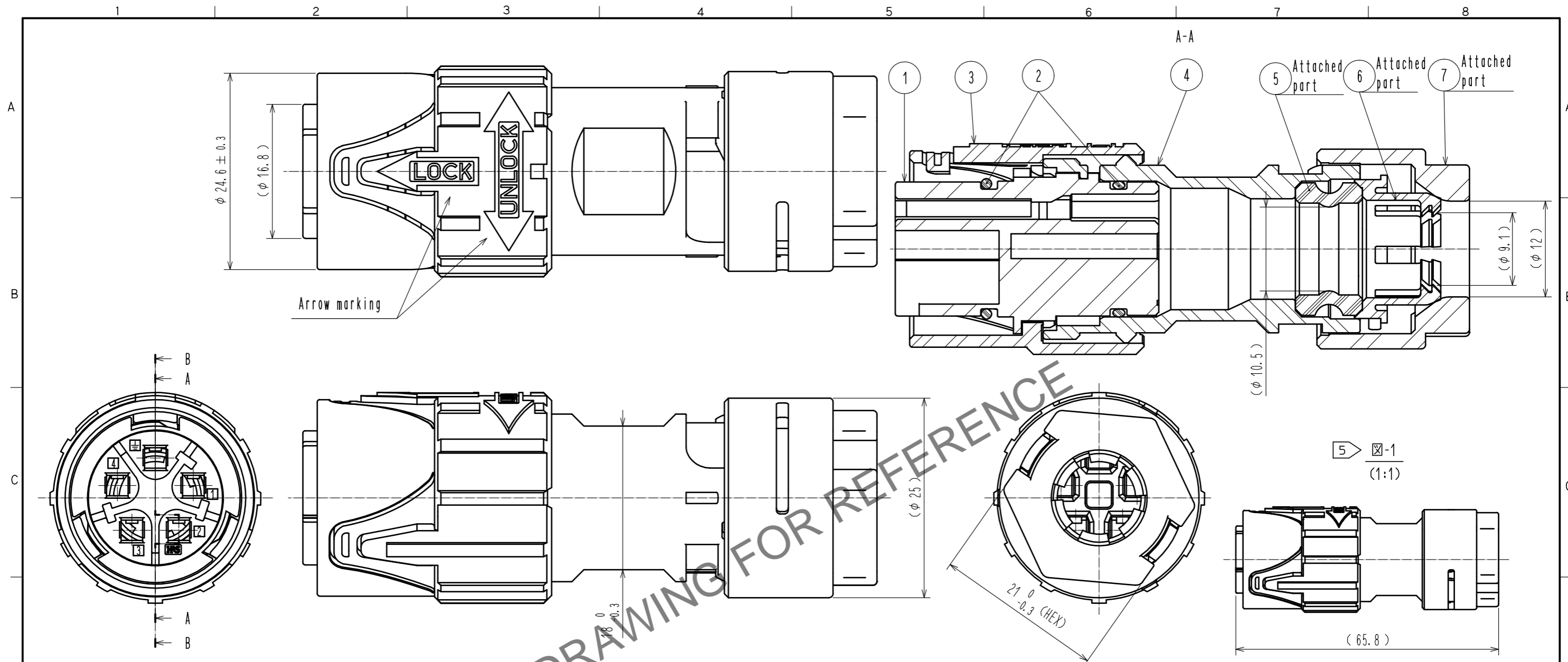
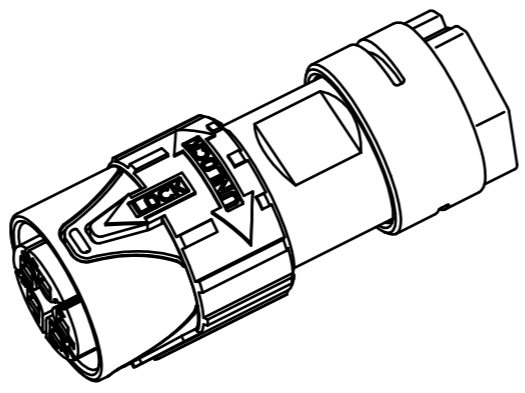
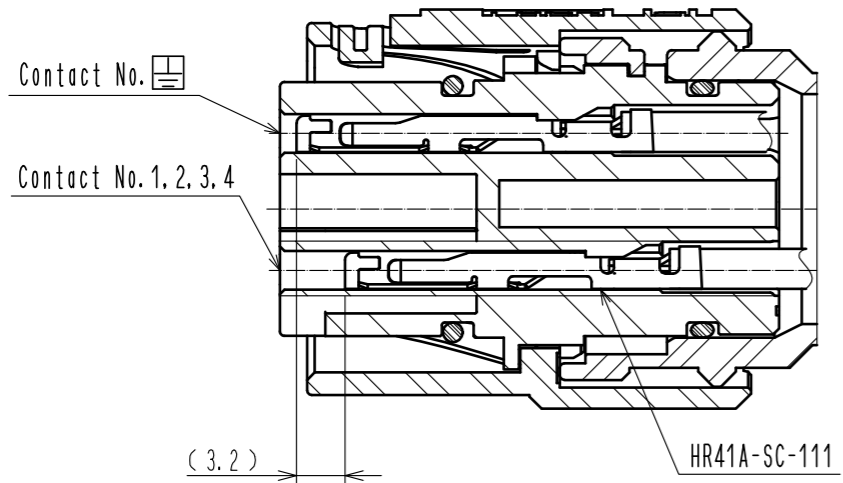


Jun.1.2024 Copyright 2024 HIROSE ELECTRIC CO., LTD. All Rights Reserved.  
 In case of consideration for using Automotive equipment / device which demand high reliability, kindly contact our sales window correspondents.



4 Fig.B-B The state applicable contact assembled and 2-step sequential structure

Oblique drawing (1:1)



- Notes
- 1 Applicable crimping contact:HR41A-SC-111 (CL141-0213-5)
  - 2 Applicable crimp contact extraction tool:HR41A-TP (CL150-0405-7)
  - 3 Rotation examples are shown for Ref.No. ①, ③, ④ and ⑦.
  - 4 Fig.B-B shows the state applicable contact assembled and 2-step sequential structure. Contact No. has functions as ground contact.
  - 5 Fig.1 shows the appearance after assembly.
  - 6 The cable pull and twisting strength and other characteristics may differ, depending on the cable structure. please confirm before the use.
  - 7 The assembly of this product applies to the manual ETAD-C0312.
  - 8 Dropouts and the like may occur. so when mated. Please do not leave with the mating guide of the opposite side and the arrow marks out of alignment.

| 4   | PBT             | (Black) |         |     |          |                 |         |
|-----|-----------------|---------|---------|-----|----------|-----------------|---------|
| 3   | PBT             | (Black) |         |     | 7        | PBT             | (Black) |
| 2   | Silicone rubber | (Red)   |         |     | 6        | Polyamide       | (Blue)  |
| 1   | Polyamide       | (Black) |         |     | 5        | Silicone rubber | (Red)   |
| NO. | MATERIAL        | FINISH  | REMARKS | NO. | MATERIAL | FINISH          | REMARKS |

|                                 |  |                |            |  |                        |                      |                  |
|---------------------------------|--|----------------|------------|--|------------------------|----------------------|------------------|
| UNITS<br>mm                     |  | SCALE<br>2 : 1 | COUNT<br>1 | DESCRIPTION OF REVISIONS<br>DIS-C-00011650 | DESIGNED<br>SH. KOYAMA | CHECKED<br>EJ. KUNII | DATE<br>20220621 |
| APPROVED : TP. KOMATSU 20220301 |  |                |            | DRAWING NO. EDC-118872-81-00               |                        |                      |                  |
| CHECKED : EJ. KUNII 20220301    |  |                |            | PART NO. HR41A-17WBP AF-5SC(81)            |                        |                      |                  |
| DESIGNED : SH. KOYAMA 20220228  |  |                |            | CODE NO. CL0141-0228-2-81                  |                        |                      |                  |
| DRAWN : SH. KOYAMA 20220228     |  |                |            | 1/1  |                        |                      |                  |