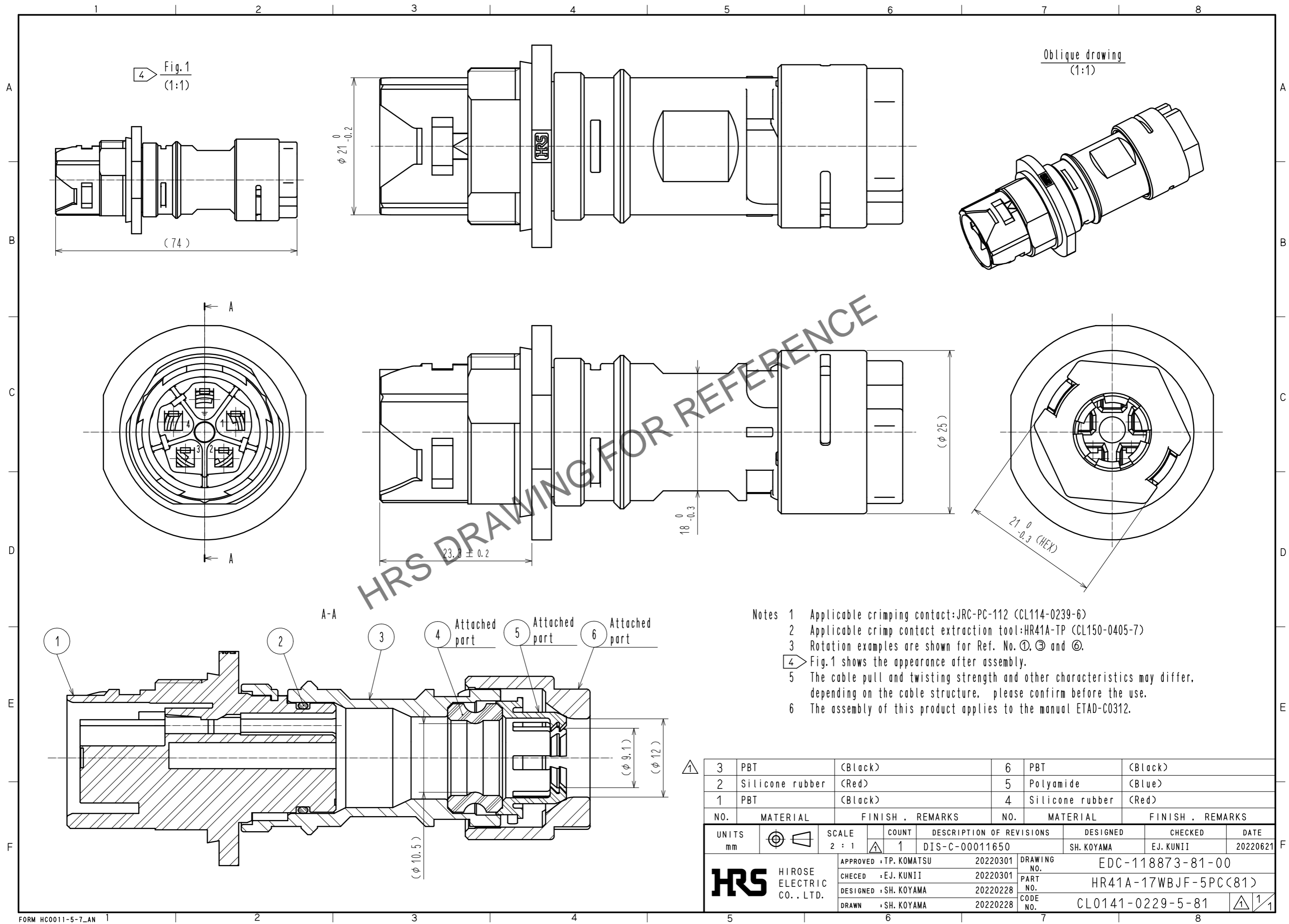


Jun.1.2024 Copyright 2024 HIROSE ELECTRIC CO., LTD. All Rights Reserved.
 In case of consideration for using Automotive equipment / device which demand high reliability, kindly contact our sales window correspondents.



- Notes
- 1 Applicable crimping contact: JRC-PC-112 (CL114-0239-6)
 - 2 Applicable crimp contact extraction tool: HR41A-TP (CL150-0405-7)
 - 3 Rotation examples are shown for Ref. No. ①, ③ and ⑥.
 - ④ Fig.1 shows the appearance after assembly.
 - 5 The cable pull and twisting strength and other characteristics may differ, depending on the cable structure, please confirm before the use.
 - 6 The assembly of this product applies to the manual ETAD-C0312.

3	PBT	(Black)	6	PBT	(Black)
2	Silicone rubber	(Red)	5	Polyamide	(Blue)
1	PBT	(Black)	4	Silicone rubber	(Red)
NO.	MATERIAL	FINISH . REMARKS	NO.	MATERIAL	FINISH . REMARKS
UNITS		SCALE	COUNT	DESCRIPTION OF REVISIONS	
mm		2 : 1	1	DIS-C-00011650	
APPROVED : TP. KOMATSU			20220301	DESIGNED	SH. KOYAMA
CHECED : E.J. KUNII			20220301	CHECKED	EJ. KUNII
DESIGNED : SH. KOYAMA			20220228	DATE	20220621
DRAWN : SH. KOYAMA			20220228	DRAWING NO. EDC-118873-81-00	
HRS HIROSE ELECTRIC CO., LTD.			PART NO. HR41A-17WBJF-5PC(81)		
			CODE NO. CL0141-0229-5-81		