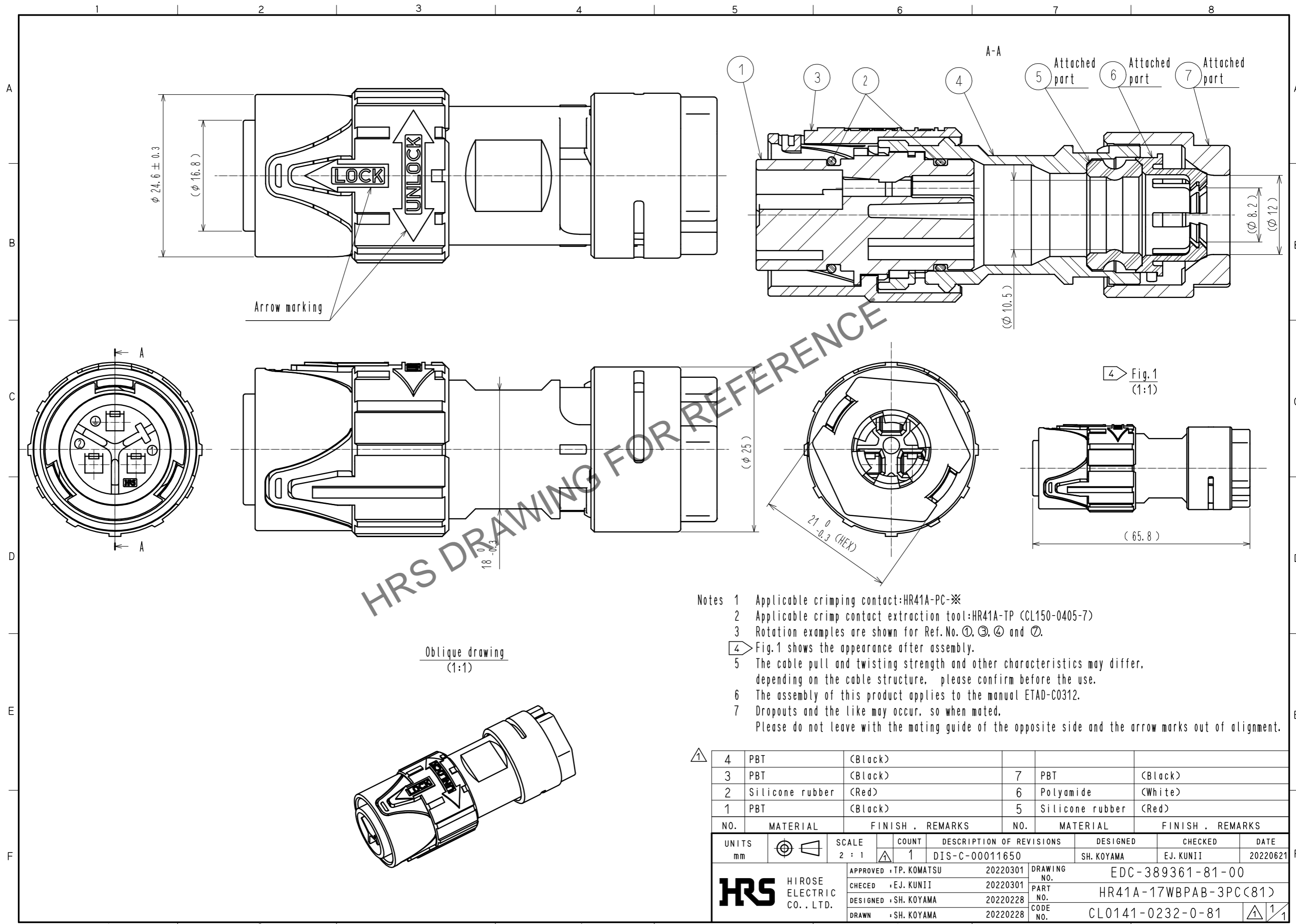


Jun.1.2024 Copyright 2024 HIROSE ELECTRIC CO., LTD. All Rights Reserved.  
In case of consideration for using Automotive equipment / device which demand high reliability, kindly contact our sales window correspondents.



HRS DRAWING FOR REFERENCE

- Notes
- 1 Applicable crimping contact:HR41A-PC-※
  - 2 Applicable crimp contact extraction tool:HR41A-TP (CL150-0405-7)
  - 3 Rotation examples are shown for Ref.No. ①, ③, ④ and ⑦.
  - ④ Fig.1 shows the appearance after assembly.
  - 5 The cable pull and twisting strength and other characteristics may differ, depending on the cable structure, please confirm before the use.
  - 6 The assembly of this product applies to the manual ETAD-C0312.
  - 7 Dropouts and the like may occur, so when mated, Please do not leave with the mating guide of the opposite side and the arrow marks out of alignment.

NO.	MATERIAL	FINISH	REMARKS	NO.	MATERIAL	FINISH	REMARKS
4	PBT	(Black)		7	PBT	(Black)	
3	PBT	(Black)		6	Polyamide	(White)	
2	Silicone rubber	(Red)		5	Silicone rubber	(Red)	
1	PBT	(Black)					

UNITS mm		SCALE 2 : 1	COUNT 1	DESCRIPTION OF REVISIONS DIS-C-00011650	DESIGNED SH. KOYAMA	CHECKED EJ. KUNII	DATE 20220621
 <b>HIROSE ELECTRIC CO., LTD.</b>		APPROVED : TP. KOMATSU	20220301	DRAWING NO. EDC-389361-81-00 PART NO. HR41A-17WBPAB-3PC(81) CODE NO. CL0141-0232-0-81			
		CHECED : EJ. KUNII	20220301				
		DESIGNED : SH. KOYAMA	20220228				
		DRAWN : SH. KOYAMA	20220228				