



HIROSE ELECTRIC CO., LTD.

TITLE: EF2 Series Precautions	REVISION DATE: 24 Jan.2024 Rev No. 4
---	---

Thank you very much for your purchase.

To
Contractors

- *Read the EF2 Series Precautions carefully before installation.
- *Only qualified personnel are allowed to perform electrical work related to installation of this product.
- *These guidelines and specifications are also used for maintenance and inspection, so please hand them to the client.

Safety Precautions

Before installation and use (operation, maintenance and inspection), be sure to thoroughly read the EF2 Series Precautions and Guidelines. Please use correctly. This EF2 Series Precautions classifies the safety precautions into "Warning" and "Caution".

Warning	Improper handling can result in death or serious injury.
	This information indicates actions that should not be taken in order to avoid such an incident.
Caution	Incorrect handling that may cause property damage.

Warning

- To avoid electric shock or damage, be sure to turn off the power before using the product.
- Do not touch the metal parts. There is a risk of electric shock.
- Do not use the product with voltage or current exceeding the rated value. Fire or electric shock may result.
- Do not use a terminal different from the one specified. Otherwise, contact failure or ignition may occur.
- Maintain the insulation distance of the crimping terminal with insulation tube, etc. So that the charging section is not exposed in order to prevent electrical shock and short circuiting.
- If the crimp terminal is deformed or damaged, stop using it. Otherwise, contact failure or ignition may result.

Caution

- When using a crimped terminal that has been used previously on a terminal block, etc., confirm that there is no deformation or large scratches. Do not use if it is deformed or has large scratches. Change to a new crimp terminal.
- Do not use the product in an environment where the vibration or impact exceeds our company product specifications.
- This product is designed for indoor use and should not be used outdoors.
- Remove the edge of the DIN rail end face. The edge gets caught and it becomes difficult to install.
- Do not store or use under conditions that include corrosive substances that can degrade the physical properties of plastics and cause metal rust.
- When solvent is applied for the purpose of insulation reinforcement or protection, it is necessary to check before use that the plastic's physical properties do not deteriorate.
- This product can be susceptible to salt damage.
- Use a specified crimp terminal, and confirm beforehand that there is no deformation, dirt such as oil, and no abnormality in contact resistance.
- Use a tin plated crimp terminal. Do not use if there is corrosion, discoloration or deformation.
- Do not store or use in locations close to the sea or in saline conditions. If rust or discoloration of the metal is considerable, replace with a new product.
- The product should be used at an elevation of below 2000 meters and under the designated "Operating Humidity Range" and "Operating Temperature".
Refrain from use in conditions that cause freezing or condensation.

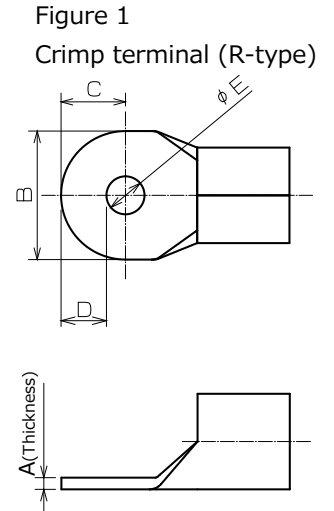
*Please check the product standards of Our Company on our website.

Company Homepage: <https://www.hirose.com/>

*List of compatible crimp terminal

Table 1 Dimensions (R-type)

Current Capacity Symbol	A	B	C	D	E
30	1 + 0.05/0.3	9.5 or less	-	2.6 or less	4.3 or more
60	1.5 + 0.1/- 0.6	12.2 or less	-	3.35 or less	5.3 or more
150	1.8 + 0.3/- 0.1	24.3 or less	-	7 or less	8.4 or more
250	3.3 ± 0.1	36.5 or less	18 ± 0.2	-	13 or more
400	4 ± 0.1	44.5 or less	22 ± 0.2	-	13 or more



Caution: Select a crimp terminal that satisfies all of the dimensions.

If none of the above dimensions is satisfied, contact failure or fire may occur.

Crimp terminal thickness of A dimension should be strictly adhered to.

Table 2 List of applicable crimp terminals (R-type)

Current Capacity Symbol	R1.25	R2	R3.5	R5.5	R8	R14	R22	R38	R60	R150	R200
30	✓	✓	✓	✓	×	×	×	×	×	×	×
60	×	×	×	✓	✓	✓	×	×	×	×	×
150	×	×	×	×	×	×	✓	✓	✓	×	×
250	×	×	×	×	×	×	×	×	×	✓	×
400	×	×	×	×	×	×	×	×	×	×	✓

Precautions: ✓ Usable crimp terminal, × Unusable crimp terminal

If an incompatible crimp terminal is used, contact failure or ignition may occur.

*How to operate the product

Insert the appropriate crimp terminal into the position shown in Figure 2.

After inserting crimp terminals, make sure they are locked. (Figure 3). Have the orange or red ridges face the direction of ⇨. Otherwise, it is not locked. Insert to the locked position.

The product may be difficult to lock depending on the contact size and hole diameter. If it is difficult to lock move the crimp contact back and forth and left and right to lock.

Figure 2
Crimping Terminal Insertion Position

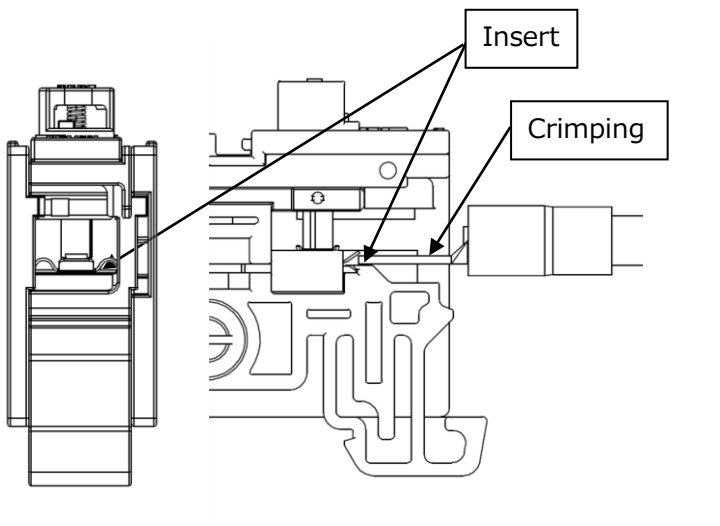


Figure 3
Locking Diagram

