

Jun.1.2024 Copyright 2024 HIROSE ELECTRIC CO., LTD. All Rights Reserved.
In case of consideration for using Automotive equipment / device which demand high reliability, kindly contact our sales window correspondents.

A(Figure.1 Locked State External View)(2:1)

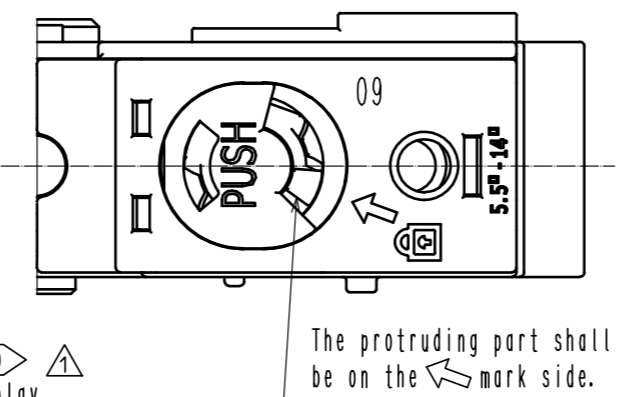
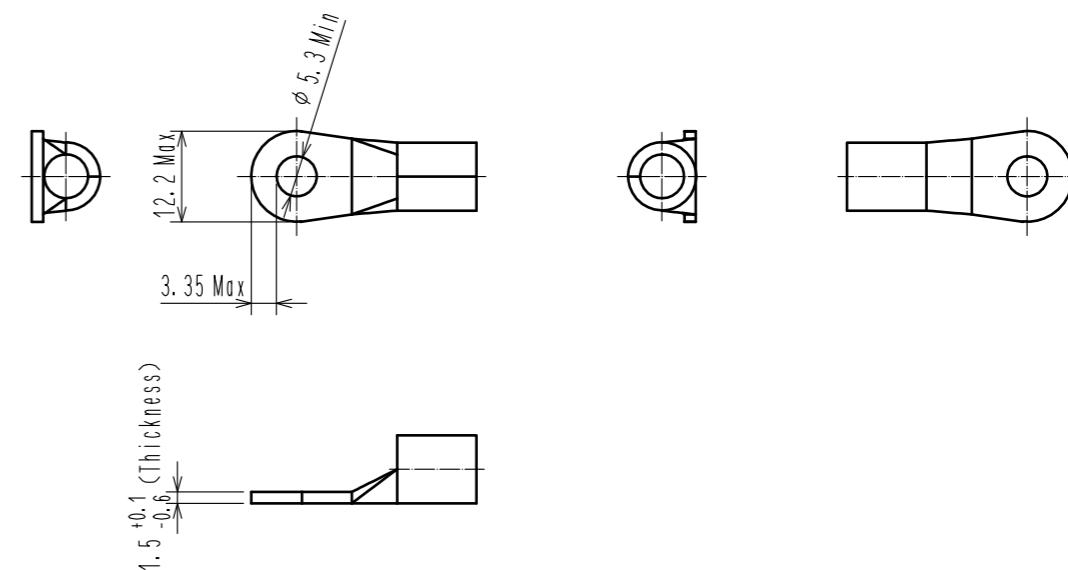
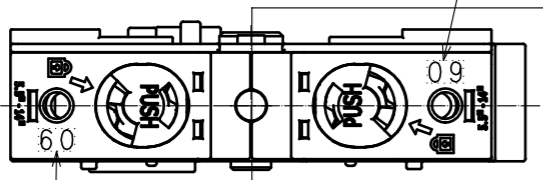


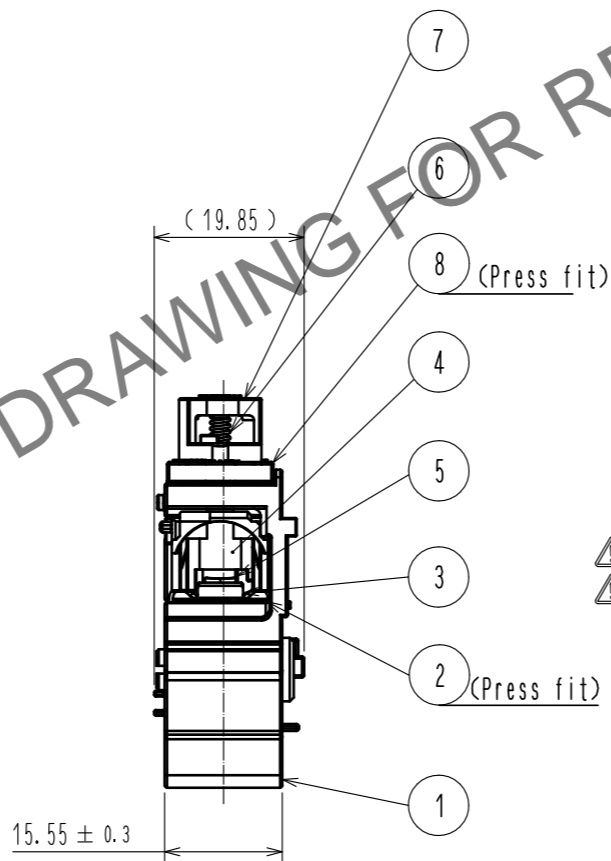
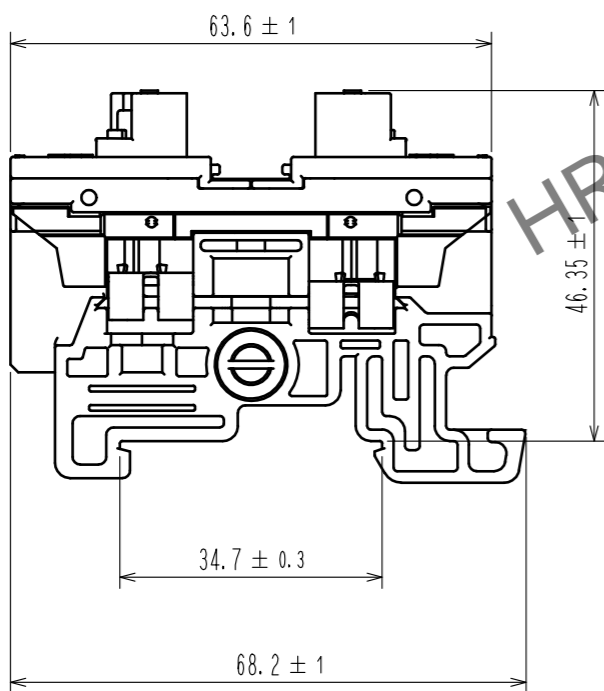
Figure.2 Applicable Contact (Commercial item)(Free)



Connector size display
(Current capacity symbol)



Connector size display
(Current capacity symbol)



- Notes
- This product is design for multiply connecting, please use together with EF2-D60-EP. This product can not be used solely. Please see Figure.3 for assembling method.
 - Applicable crimp contacts:
NICHIFU CO., LTD R5.5-6 or J. S. T. MFG. CO., LTD R5.5-6 or a similar product.
NICHIFU CO., LTD R8-5 or J. S. T. MFG. CO., LTD R8-5 or a similar product.
NICHIFU CO., LTD R14-5 or J. S. T. MFG. CO., LTD R14-5 or a similar product.
 - Applicable crimping tool: JIS-C-9711 MAXELL IZUMI CO., LTD 214A or REC-Li60S.
 - Please assemble this product in coordination with the assembly manual ETAD-C0387-00.
 - When inserting the contact, please do so until Ref. No. ⑤ rotates back to its original position (shown in Figure.1 Locked State External View). Furthermore, lightly pull the cable to confirm that the contact is locked and mated.
 - Points to note before use:
 - Use only tin coated material.
 - Please check that dimesnsions satisfy those of Figure.2 and that there is no deformation, dirt etc., or abnormal contact resistance value.
 - Insertion and withdrawal forces, as well as contact resistance values could change due to the quality of the coating. Therefore, please evaluate beforehand.
- Warning 7. This product is not hot pluggable.
Warning 8. Keep your fingers and other conductors from coming into contact with the electrically charged parts in order to avoid electrical shock or a short circuit.
- ⑨ To prevent parts ⑨ and ⑩ of EF2-D60B-1 from dropping off, attach fasteners on both side.
⑩ After November 1, 2023, we will gradually switch to products with connector size indication, compatible wire size indication, and lock mark indication. Some products do not have connector size indication, compatible wire size indication, or lock mark indication.

4	PBT	(Black) UL94V-0	8	m-PPE	(Black) UL94V-0
3	Stainless steel		7	PBT	(Black) UL94V-0
2	Copper	Tin plating 3μm min	6	Stainless steel	
1	m-PPE	(Black) UL94V-0	5	PBT	(Orange) UL94V-0
NO.	MATERIAL	FINISH . REMARKS	NO.	MATERIAL	FINISH . REMARKS
UNITS		SCALE	COUNT	DESCRIPTION OF REVISIONS	
mm		1 : 1	3	DIS-C-00016615	
APPROVED		DESIGNED		CHECKED	
: TP. KOMATSU		: HR. SATO		: KI. NAGANUMA	
20230404		20230404		20231218	
CHECKED		DRAWING NO.		DATE	
: KI. NAGANUMA		: EDC-394642-01-00			
20230404		PART NO.			
DESIGNED		: HR. SATO		: EF2-D60BA-1(C01)	
: HR. SATO		20230404			
DRAWN		CODE NO.			
: HR. SATO		: CL0142-0141-0-01			
20230404					

Figure.3 How to stack EF2-D60. (Example: 3 connectors)

The stacking method is as follows.

Connector : EF2-D60BA-1(01) 3pcs
 End Plate : EF2-D60-EP1 1set

Place the three EF2-D60BA-1(01) in a row and install EF2-D60-EP1 on both sides.

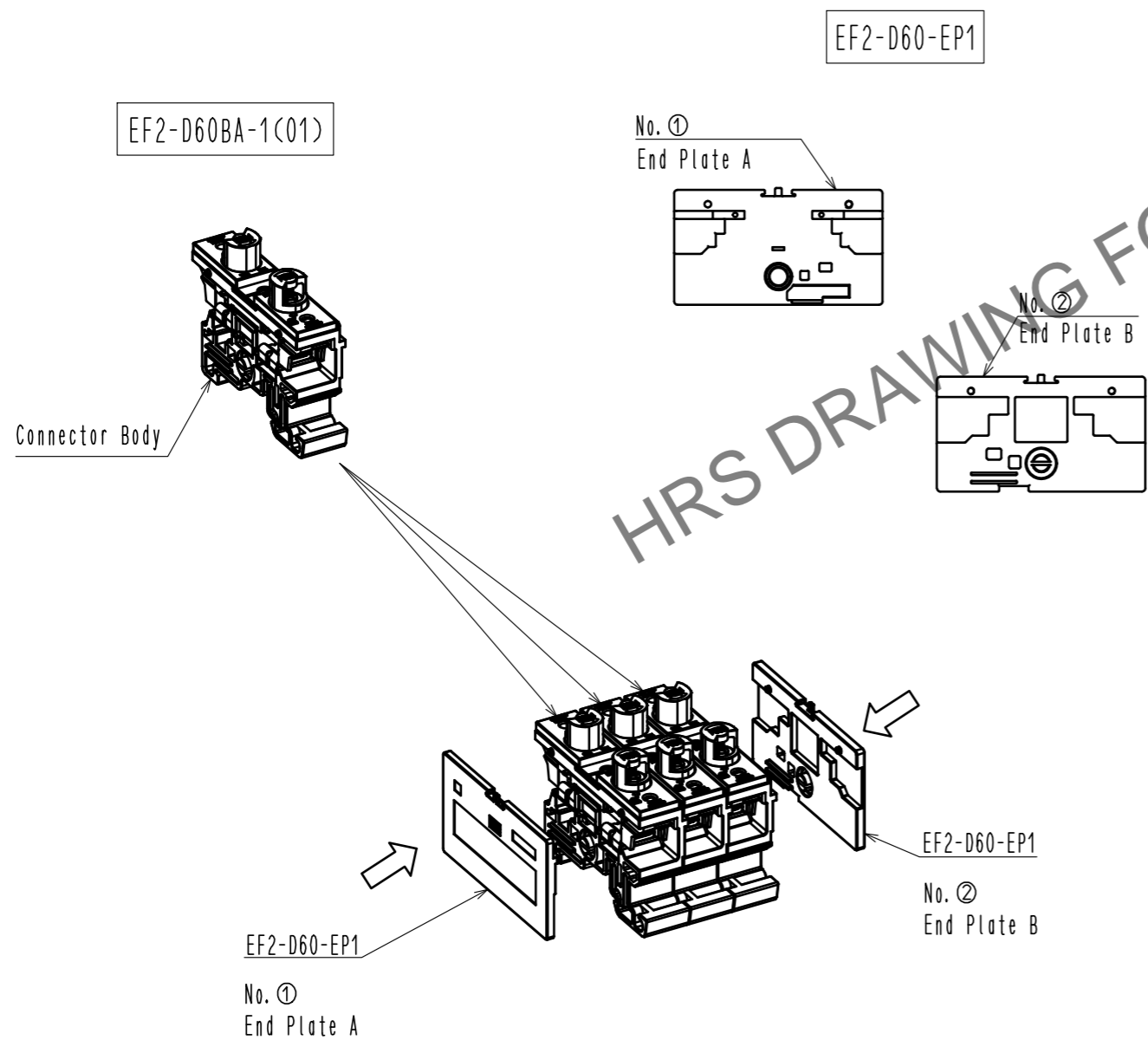
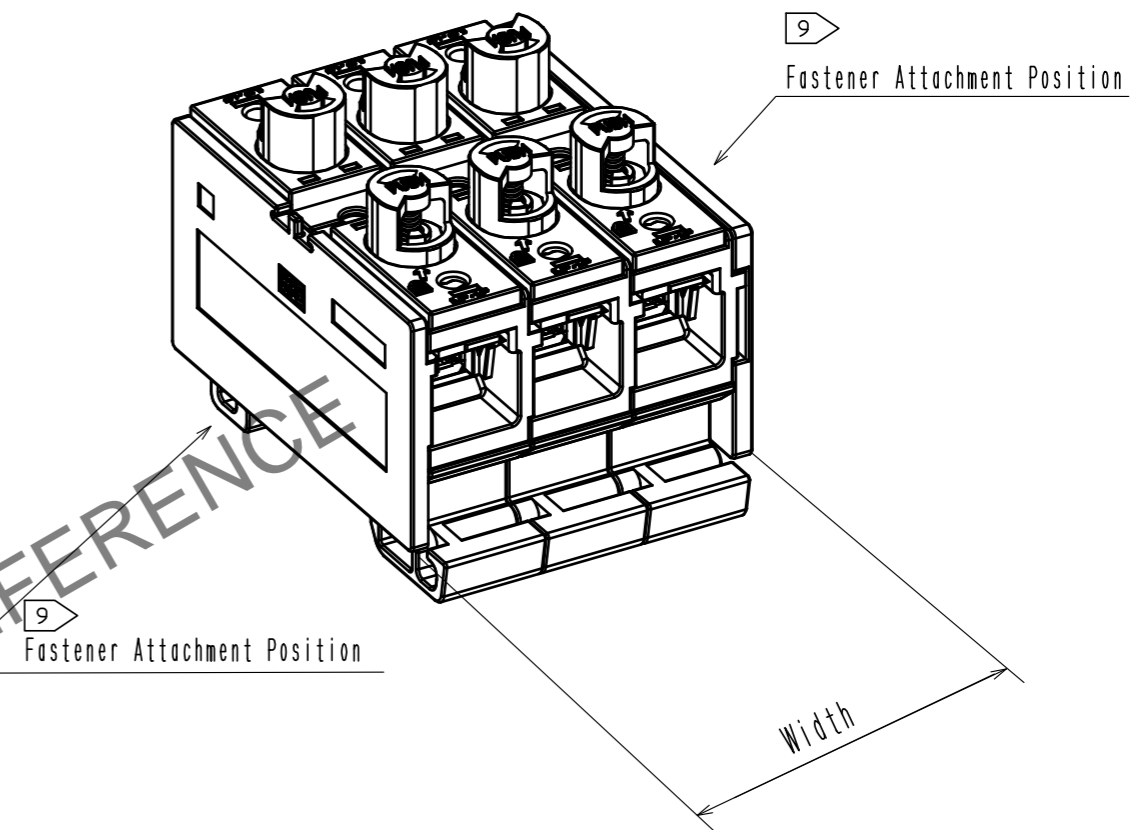


Figure.4 From Connector to Connectors



Number of Connector	1	2	3	4	5	n
Width	21.0	36.55	52.1	67.65	83.2	5.45+15.55×n

HRS	DRAWING NO.	EDC-394642-01-00
	PART NO.	EF2-D60BA-1(01)
	CODE NO.	CL0142-0141-0-01

2/2

Jun.1.2024 Copyright 2024 HIROSE ELECTRIC CO., LTD. All Rights Reserved. In case of consideration for using Automotive equipment / device which demand high reliability, kindly contact our sales window correspondents.