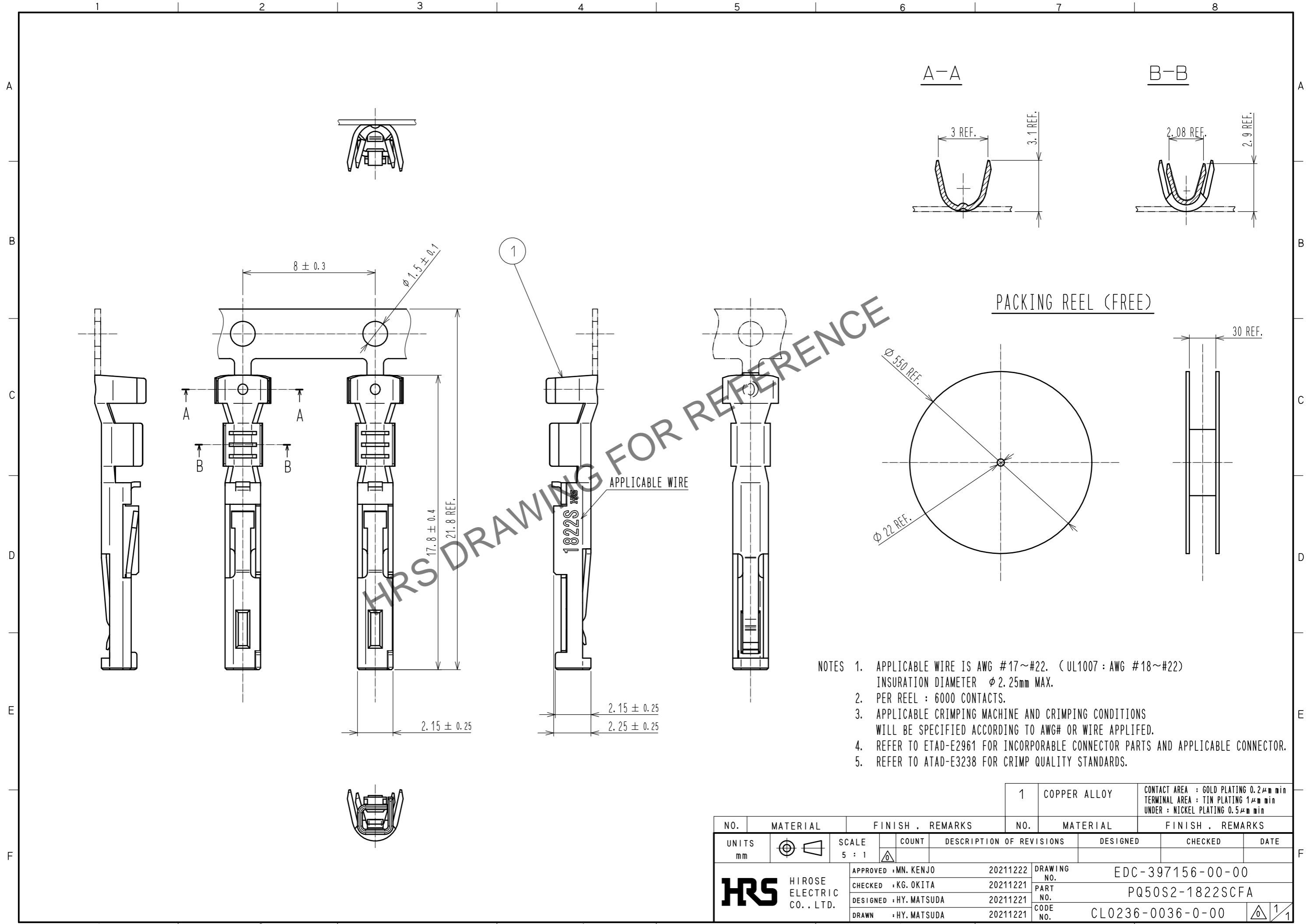


Jul.1.2024 Copyright 2024 HIROSE ELECTRIC CO., LTD. All Rights Reserved.
 In case of consideration for using Automotive equipment / device which demand high reliability, kindly contact our sales window correspondents.



- NOTES
1. APPLICABLE WIRE IS AWG #17~#22. (UL1007 : AWG #18~#22)
INSURATION DIAMETER φ 2.25mm MAX.
 2. PER REEL : 6000 CONTACTS.
 3. APPLICABLE CRIMPING MACHINE AND CRIMPING CONDITIONS
WILL BE SPECIFIED ACCORDING TO AWG# OR WIRE APPLIED.
 4. REFER TO ETAD-E2961 FOR INCORPORABLE CONNECTOR PARTS AND APPLICABLE CONNECTOR.
 5. REFER TO ATAD-E3238 FOR CRIMP QUALITY STANDARDS.

NO.		MATERIAL		FINISH . REMARKS		NO.		MATERIAL		FINISH . REMARKS	
		1		COPPER ALLOY				CONTACT AREA : GOLD PLATING 0.2μm min		TERMINAL AREA : TIN PLATING 1μm min	
				UNDER : NICKEL PLATING 0.5μm min							
UNITS	mm	SCALE	5 : 1	COUNT	△	DESCRIPTION OF REVISIONS		DESIGNED	CHECKED	DATE	
HRS HIROSE ELECTRIC CO., LTD.		APPROVED	: MN. KENJO	20211222	DRAWING NO.	EDC-397156-00-00					
		CHECKED	: KG. OKITA	20211221	PART NO.	PQ50S2-1822SCFA					
		DESIGNED	: HY. MATSUDA	20211221	CODE NO.	CL0236-0036-0-00					
		DRAWN	: HY. MATSUDA	20211221		1/1					