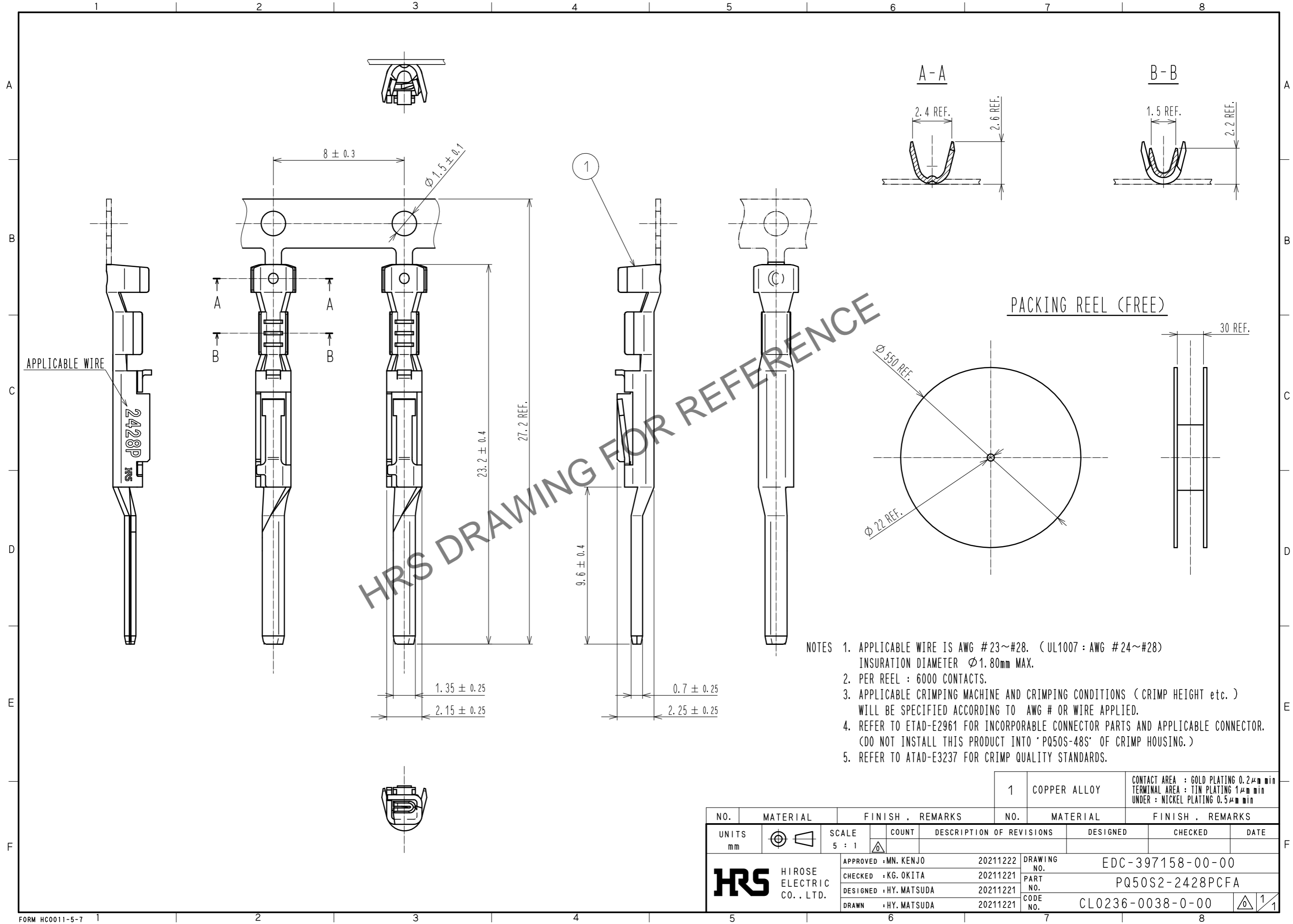


Jul.1.2024 Copyright 2024 HIROSE ELECTRIC CO., LTD. All Rights Reserved.
 In case of consideration for using Automotive equipment / device which demand high reliability, kindly contact our sales window correspondents.



- NOTES
1. APPLICABLE WIRE IS AWG #23~#28. (UL1007 : AWG #24~#28)
INSURATION DIAMETER $\phi 1.80\text{mm}$ MAX.
 2. PER REEL : 6000 CONTACTS.
 3. APPLICABLE CRIMPING MACHINE AND CRIMPING CONDITIONS (CRIMP HEIGHT etc.) WILL BE SPECIFIED ACCORDING TO AWG # OR WIRE APPLIED.
 4. REFER TO ETAD-E2961 FOR INCORPORABLE CONNECTOR PARTS AND APPLICABLE CONNECTOR. (DO NOT INSTALL THIS PRODUCT INTO 'PQ50S-48S' OF CRIMP HOUSING.)
 5. REFER TO ATAD-E3237 FOR CRIMP QUALITY STANDARDS.

PACKING REEL (FREE)

NO. 1		MATERIAL COPPER ALLOY		FINISH . REMARKS CONTACT AREA : GOLD PLATING 0.2 μm min TERMINAL AREA : TIN PLATING 1 μm min UNDER : NICKEL PLATING 0.5 μm min			
UNITS mm		SCALE 5 : 1	COUNT	DESCRIPTION OF REVISIONS	DESIGNED	CHECKED	DATE
HRS HIROSE ELECTRIC CO., LTD.		APPROVED : MN. KENJO	20211222	DRAWING NO.	EDC-397158-00-00		
		CHECKED : KG. OKITA	20211221	PART NO.	PQ50S2-2428PCFA		
		DESIGNED : HY. MATSUDA	20211221	CODE NO.	CL0236-0038-0-00		
		DRAWN : HY. MATSUDA	20211221		1/1		