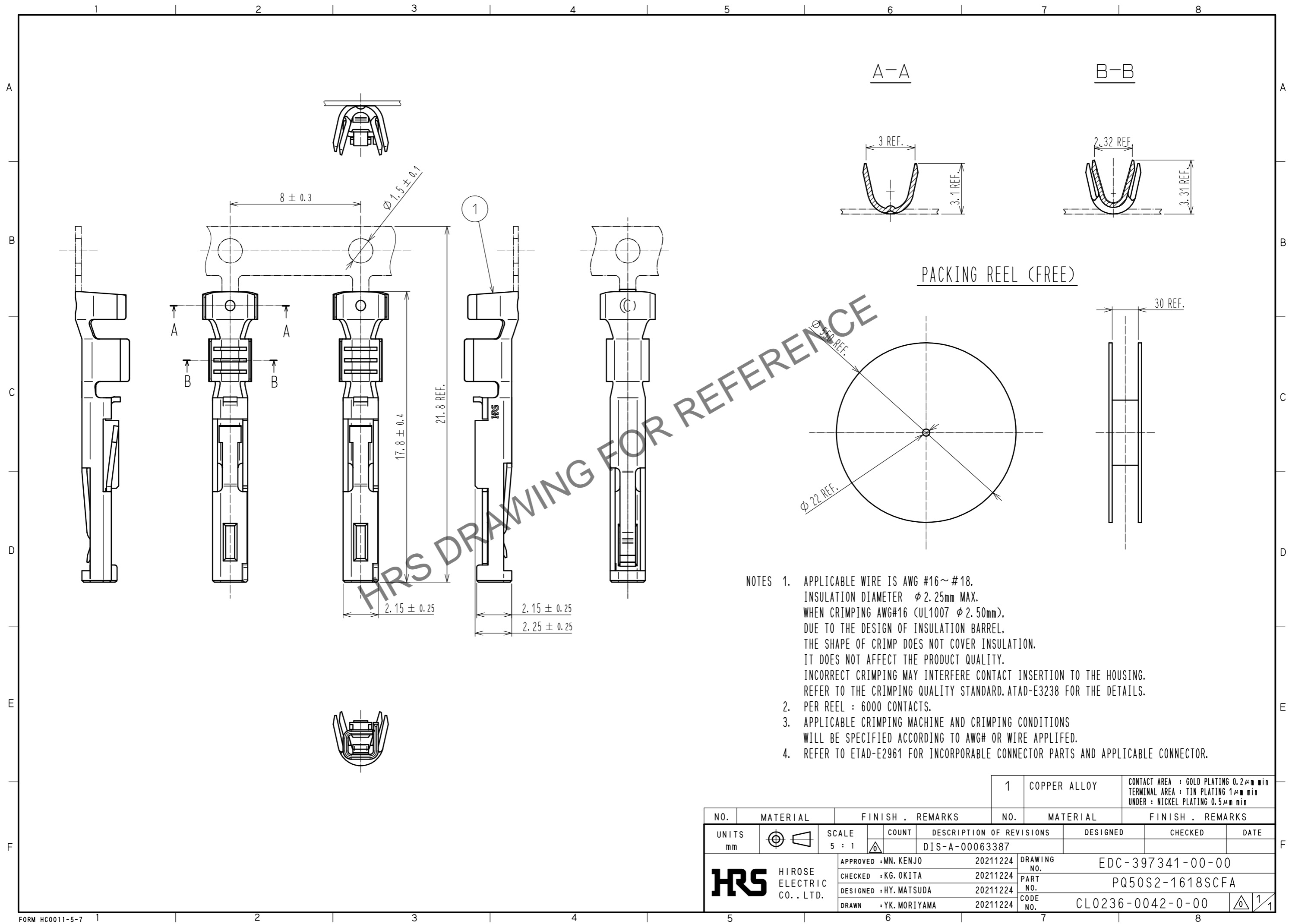


Aug.1.2024 Copyright 2024 HIROSE ELECTRIC CO., LTD. All Rights Reserved.
In case of consideration for using Automotive equipment / device which demand high reliability, kindly contact our sales window correspondents.



- NOTES
1. APPLICABLE WIRE IS AWG #16~#18.
INSULATION DIAMETER $\phi 2.25\text{mm}$ MAX.
WHEN CRIMPING AWG#16 (UL1007 $\phi 2.50\text{mm}$),
DUE TO THE DESIGN OF INSULATION BARREL,
THE SHAPE OF CRIMP DOES NOT COVER INSULATION.
IT DOES NOT AFFECT THE PRODUCT QUALITY.
INCORRECT CRIMPING MAY INTERFERE CONTACT INSERTION TO THE HOUSING.
REFER TO THE CRIMPING QUALITY STANDARD, ATAD-E3238 FOR THE DETAILS.
 2. PER REEL : 6000 CONTACTS.
 3. APPLICABLE CRIMPING MACHINE AND CRIMPING CONDITIONS
WILL BE SPECIFIED ACCORDING TO AWG# OR WIRE APPLIED.
 4. REFER TO ETAD-E2961 FOR INCORPORABLE CONNECTOR PARTS AND APPLICABLE CONNECTOR.

NO.		MATERIAL		FINISH . REMARKS		NO.		MATERIAL		FINISH . REMARKS			
		1		COPPER ALLOY				CONTACT AREA : GOLD PLATING 0.2 μm min TERMINAL AREA : TIN PLATING 1 μm min UNDER : NICKEL PLATING 0.5 μm min					
UNITS mm		SCALE 5 : 1		COUNT △		DESCRIPTION OF REVISIONS DIS-A-00063387		DESIGNED		CHECKED		DATE	
HIROSE ELECTRIC CO., LTD.		APPROVED : MN. KENJO		20211224		DRAWING NO.		EDC-397341-00-00					
		CHECKED : KG. OKITA		20211224		PART NO.		PQ50S2-1618SCFA					
		DESIGNED : HY. MATSUDA		20211224		CODE NO.		CL0236-0042-0-00					
		DRAWN : YK. MORIYAMA		20211224									