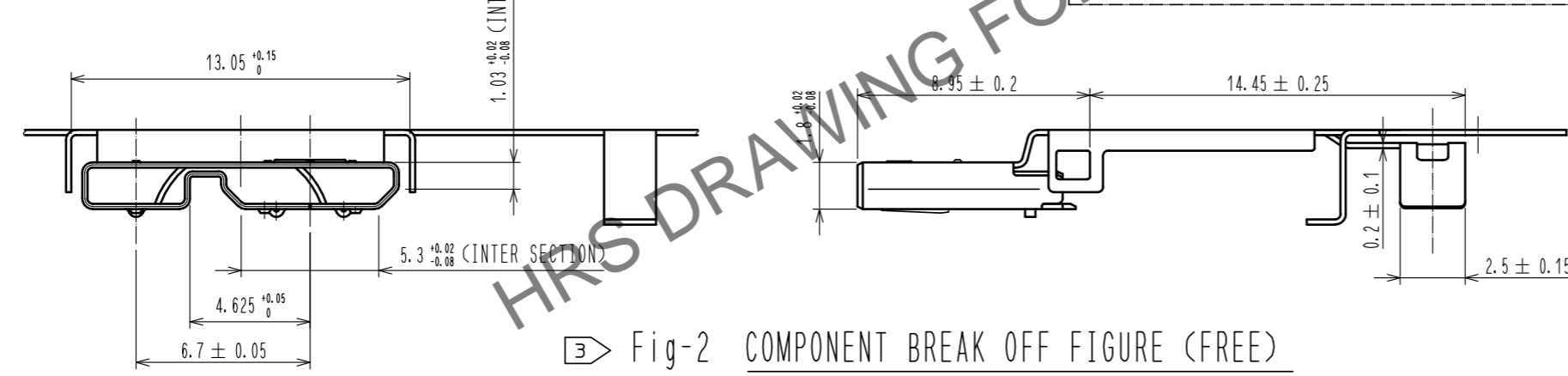
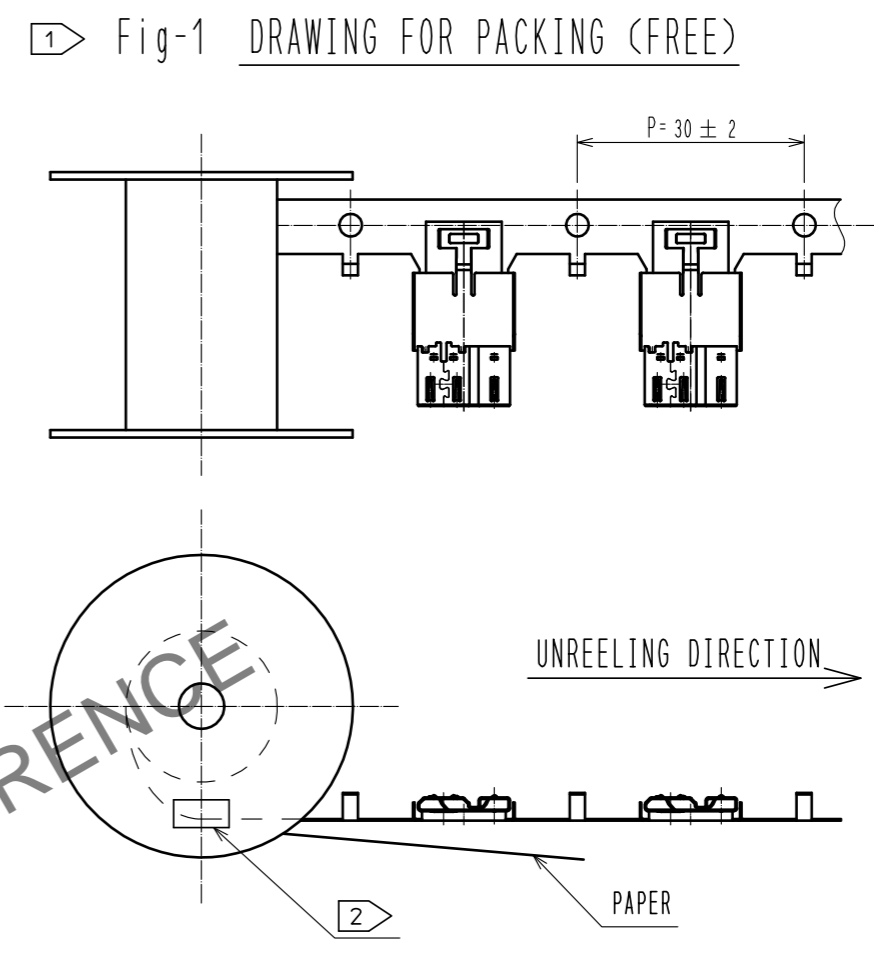
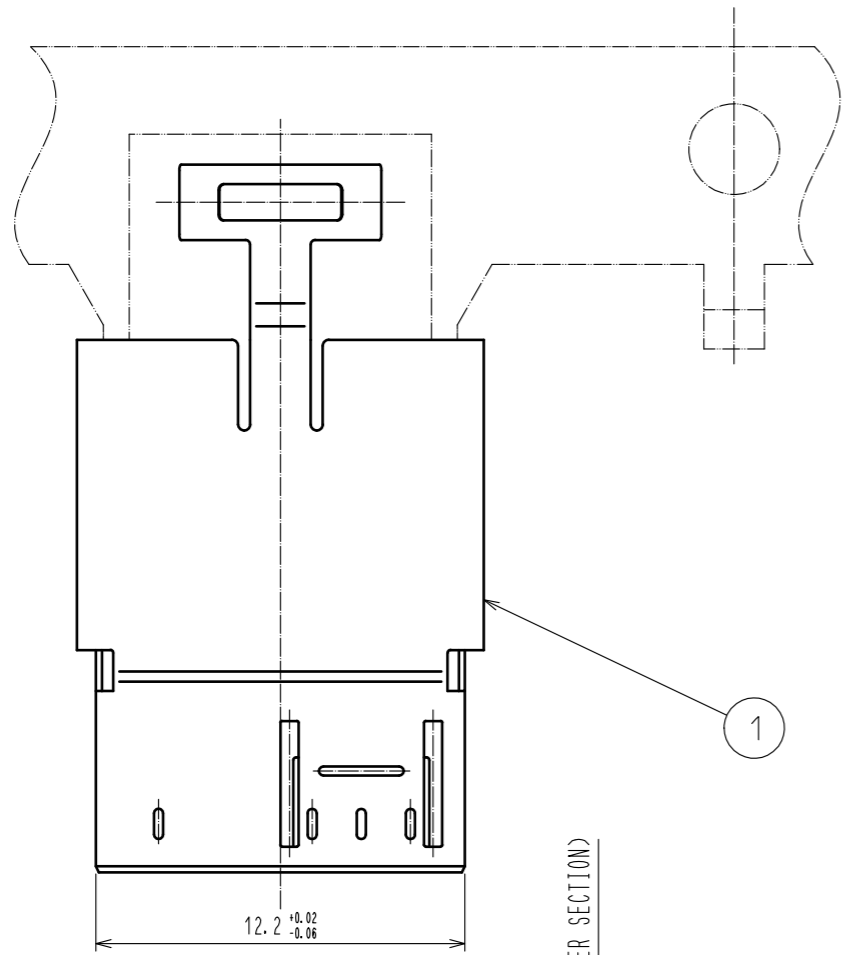
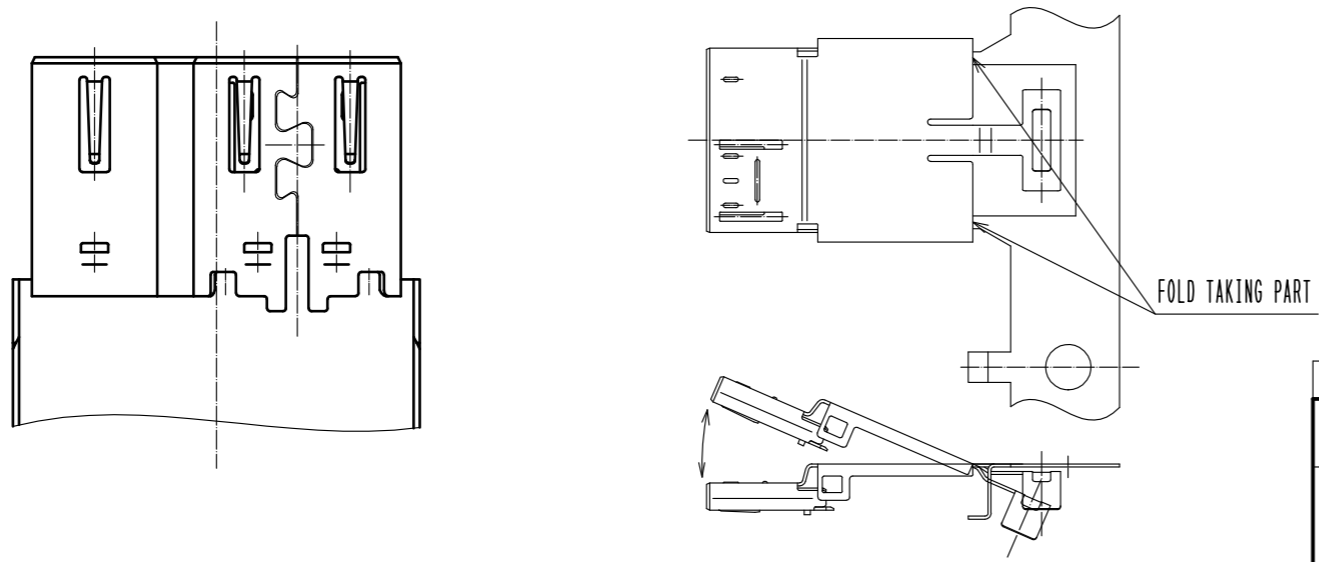


Mar.1.2026 Copyright 2026 HIROSE ELECTRIC CO., LTD. All Rights Reserved.  
In case of consideration for using Automotive equipment / device which demand high reliability, kindly contact our sales window correspondents.



③ Halogen-Free  
Lead Free Process  
RoHS Compliant



- NOTE ① THIS IS DELIVERED BY A REEL. QTY : 2700 PCS.  
② INDICATE 'Part No.', 'CL No.', 'Lot No.', AND QUANTITY ON BOTH REEL AND THE SIDE SURFACE OF THE SHIPPING OUTER BOX.  
③ REMOVE THE COMPONENT FROM THE CARRIER FOR USE AS SHOWN IN Fig.2.

NO.	MATERIAL	FINISH . REMARKS	NO.	MATERIAL	FINISH . REMARKS		
1	STAINLESS STEEL	NICKEL PLATING 0.1μm min					
UNITS mm		SCALE 4 : 1	COUNT 1	DESCRIPTION OF REVISIONS DIS-E-00001801	DESIGNED YS. SAKODA	CHECKED AH. KODAMA	DATE 20181004
<b>HRS</b> HIROSE ELECTRIC CO., LTD.		APPROVED : A0. SUZUKI	20100807	DRAWING NO.	EDC-127030-00-00		
		CHECKED : KN. ICHIKAWA	20100807	PART NO.	ZX360-B-SLDA		
		DESIGNED : TY. MIURA	20100806	CODE NO.	CL242-0502-7-00		
		DRAWN : TY. MIURA	20100806		③ 1/1		