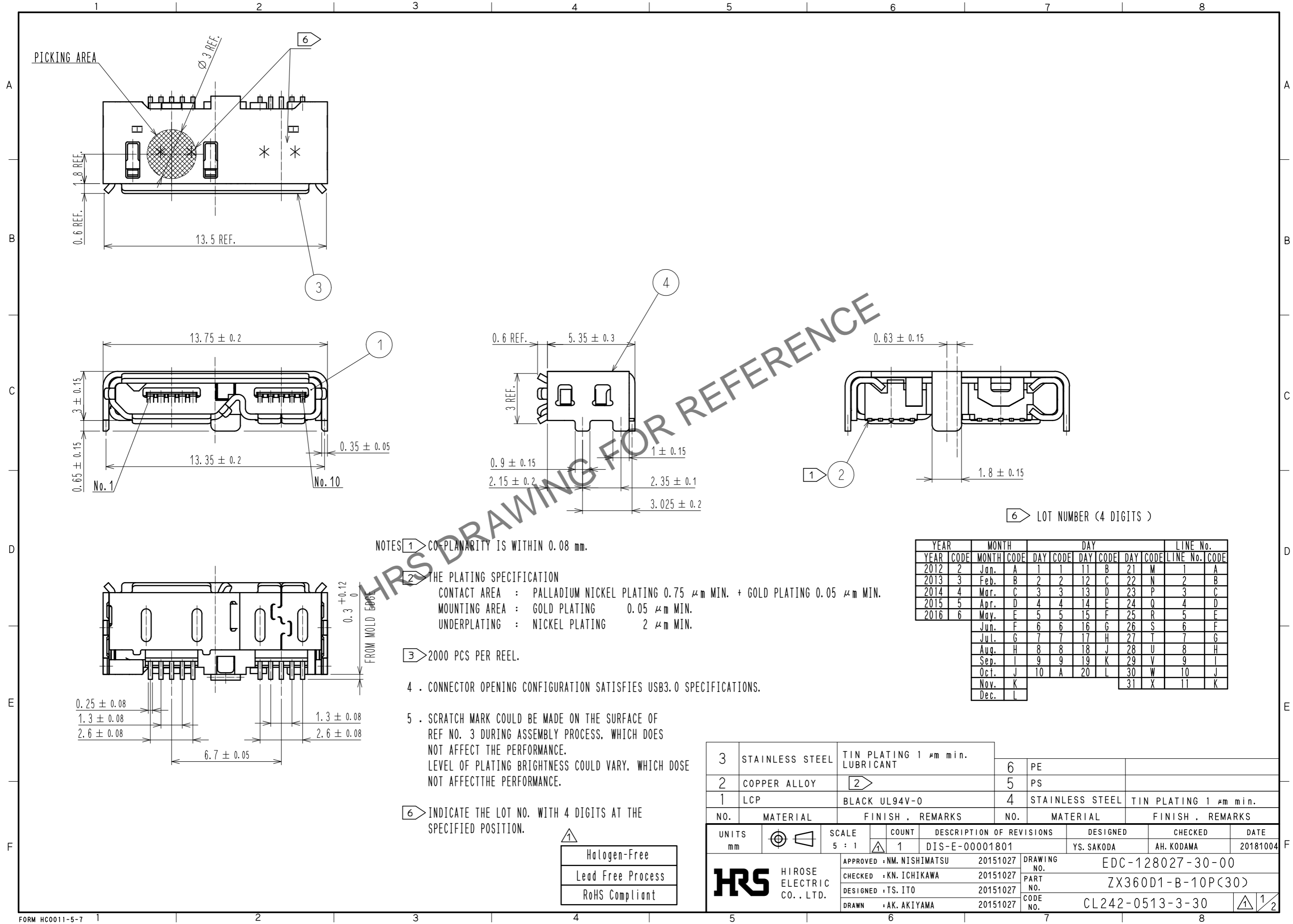


Mar.1.2026 Copyright 2026 HIROSE ELECTRIC CO., LTD. All Rights Reserved.
In case of consideration for using Automotive equipment / device which demand high reliability, kindly contact our sales window correspondents.



NOTES 1 CO-PLANARITY IS WITHIN 0.08 mm.

2 THE PLATING SPECIFICATION
 CONTACT AREA : PALLADIUM NICKEL PLATING 0.75 μm MIN. + GOLD PLATING 0.05 μm MIN.
 MOUNTING AREA : GOLD PLATING 0.05 μm MIN.
 UNDERPLATING : NICKEL PLATING 2 μm MIN.

3 2000 PCS PER REEL.

4 . CONNECTOR OPENING CONFIGURATION SATISFIES USB3.0 SPECIFICATIONS.

5 . SCRATCH MARK COULD BE MADE ON THE SURFACE OF REF NO. 3 DURING ASSEMBLY PROCESS, WHICH DOES NOT AFFECT THE PERFORMANCE. LEVEL OF PLATING BRIGHTNESS COULD VARY, WHICH DOES NOT AFFECT THE PERFORMANCE.

6 INDICATE THE LOT NO. WITH 4 DIGITS AT THE SPECIFIED POSITION.

6 LOT NUMBER (4 DIGITS)

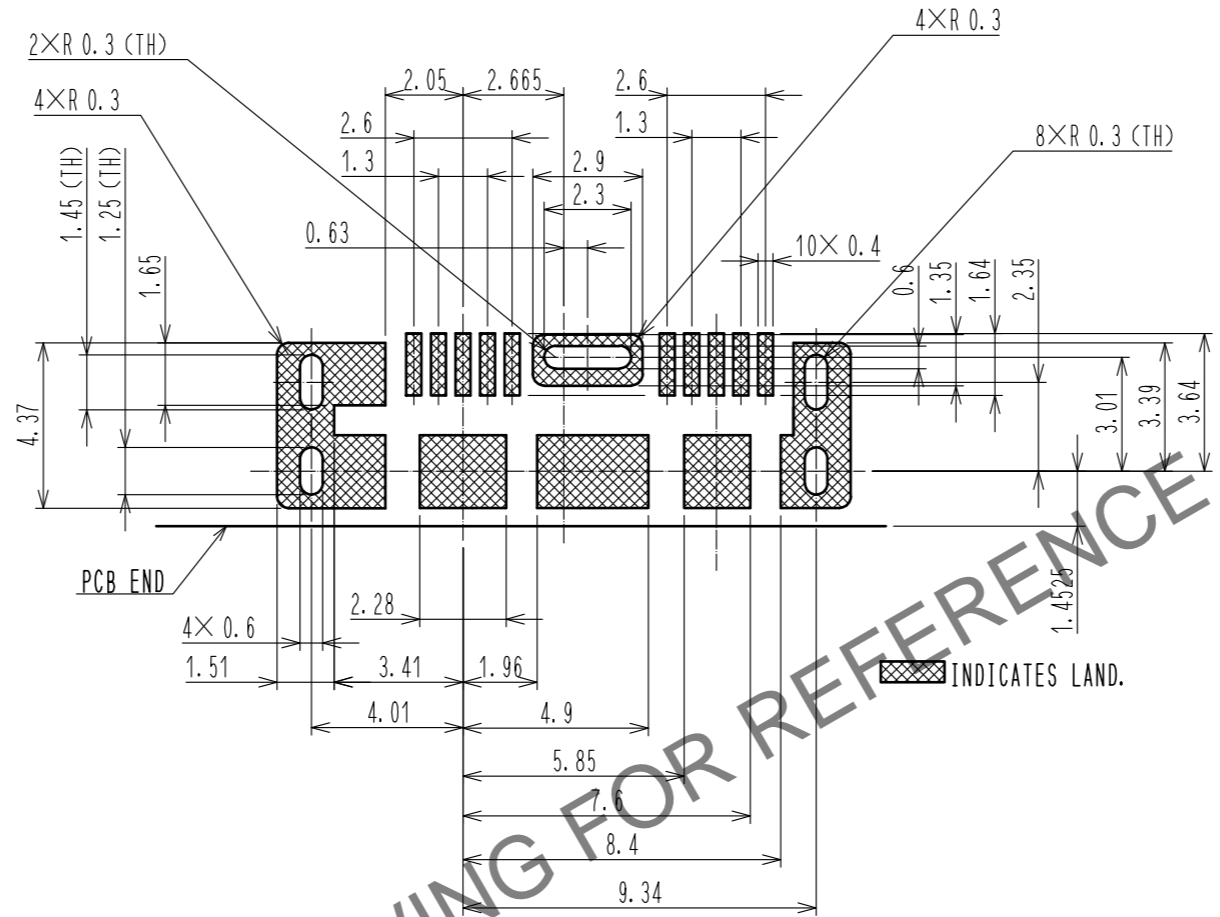
YEAR	MONTH	DAY				LINE No.					
YEAR CODE	MONTH CODE	DAY CODE	DAY CODE	DAY CODE	DAY CODE	LINE No.	CODE				
2012	2	Jan.	A	1	1	11	B	21	M	1	A
2013	3	Feb.	B	2	2	12	C	22	N	2	B
2014	4	Mar.	C	3	3	13	D	23	P	3	C
2015	5	Apr.	D	4	4	14	E	24	Q	4	D
2016	6	May.	E	5	5	15	F	25	R	5	E
		Jun.	F	6	6	16	G	26	S	6	F
		Jul.	G	7	7	17	H	27	T	7	G
		Aug.	H	8	8	18	J	28	U	8	H
		Sep.	I	9	9	19	K	29	V	9	I
		Oct.	J	10	A	20	L	30	W	10	J
		Nov.	K					31	X	11	K
		Dec.	L								

Halogen-Free
 Lead Free Process
 RoHS Compliant

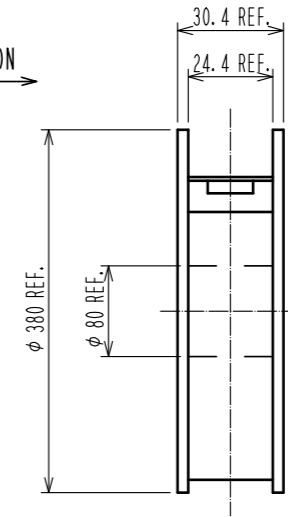
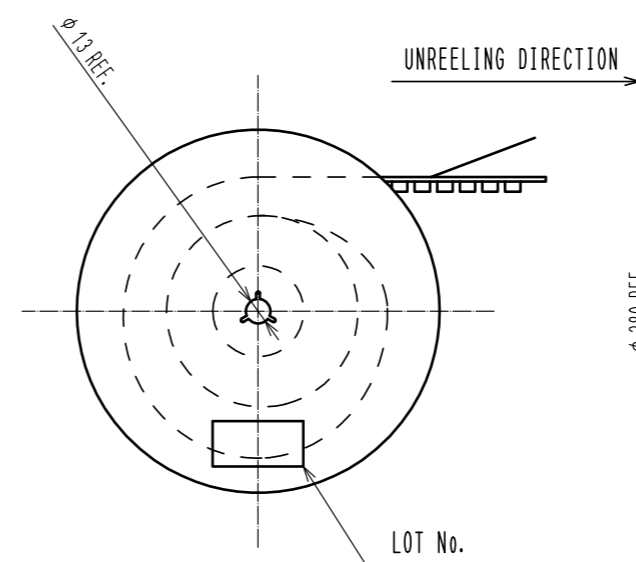
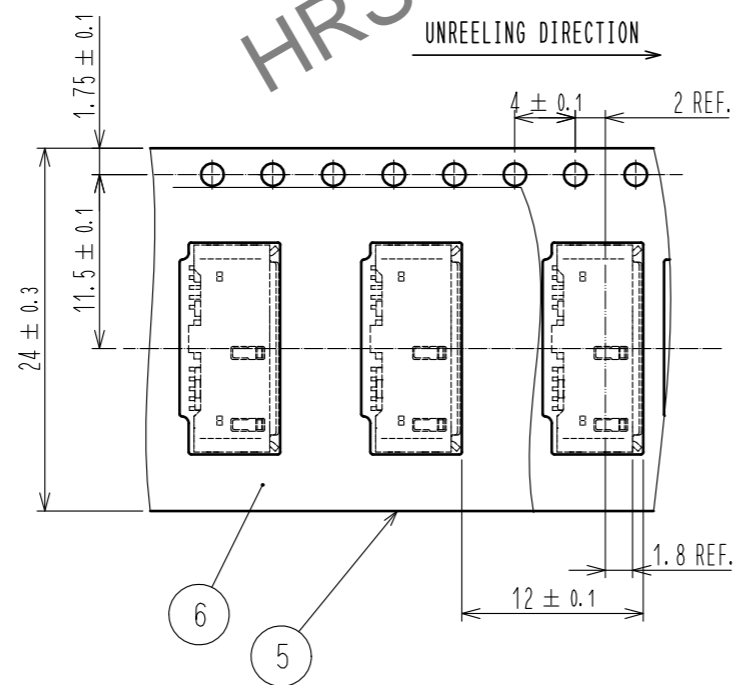
3	STAINLESS STEEL	TIN PLATING 1 μm min. LUBRICANT	6	PE	
2	COPPER ALLOY	2	5	PS	
1	LCP	BLACK UL94V-0	4	STAINLESS STEEL	TIN PLATING 1 μm min.
NO.	MATERIAL	FINISH . REMARKS	NO.	MATERIAL	FINISH . REMARKS
UNITS	mm	SCALE	5 : 1	COUNT	1
		DESCRIPTION OF REVISIONS		DESIGNED	Y.S. SAKODA
		DIS-E-00001801		CHECKED	AH. KODAMA
		DATE		20181004	
APPROVED : NM. NISHIMATSU			20151027		
CHECKED : KN. ICHIKAWA			20151027		
DESIGNED : TS. ITO			20151027		
DRAWN : AK. AKIYAMA			20151027		
DRAWING NO.			EDC-128027-30-00		
PART NO.			ZX360D1-B-10P(30)		
CODE NO.			CL242-0513-3-30		

Mar.1.2026 Copyright 2026 HIROSE ELECTRIC CO., LTD. All Rights Reserved.
 In case of consideration for using Automotive equipment / device which demand high reliability, kindly contact our sales window correspondents.

PCB LAYOUT FOR REFERENCE.



③ DRAWING FOR PACKAGING (FREE)



HRS	DRAWING NO.	EDC-128027-30-00	
	PART NO.	ZX360D1-B-10P(30)	
	CODE NO.	CL242-0513-3-30	