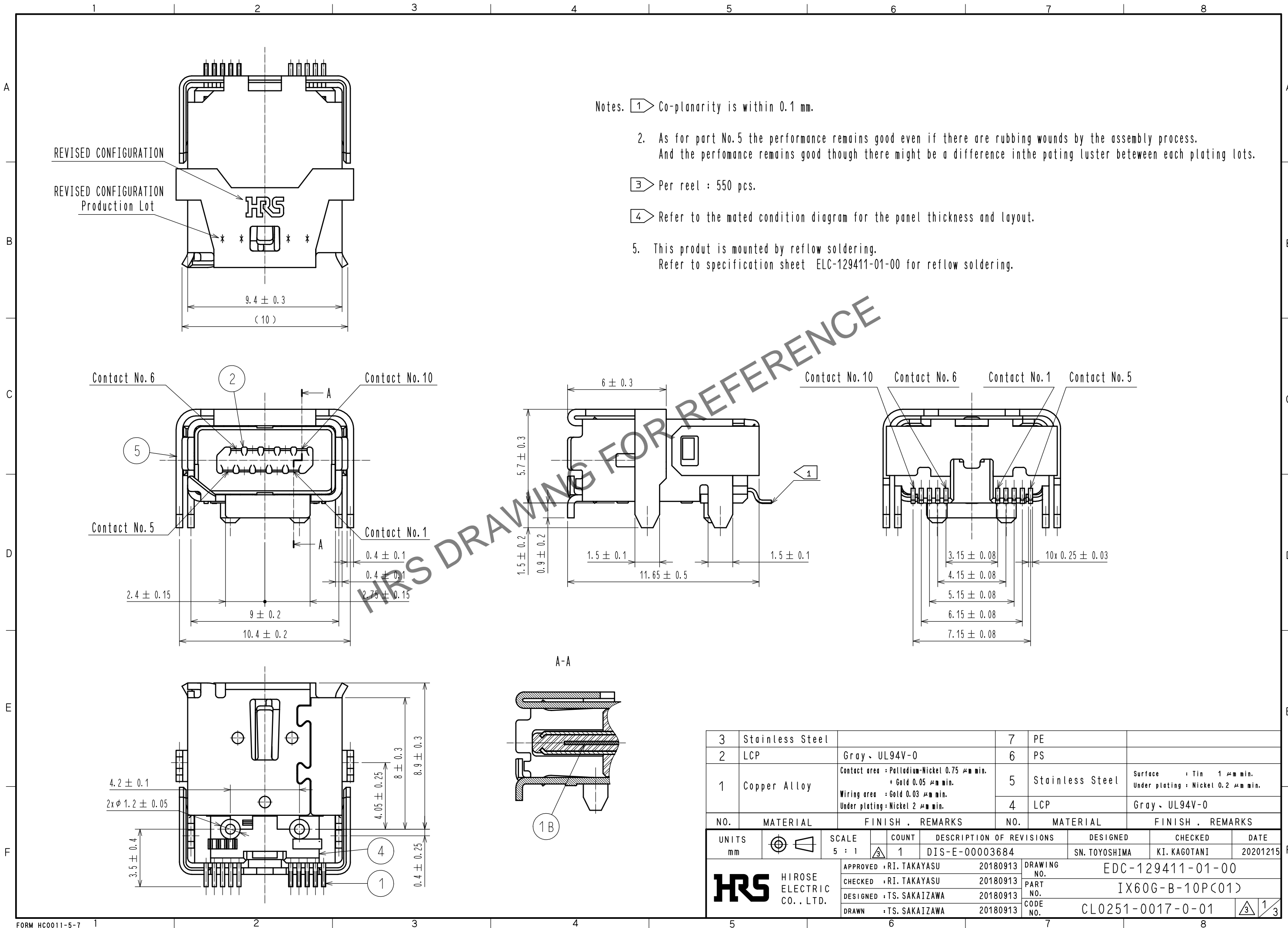


Jul.1.2024 Copyright 2024 HIROSE ELECTRIC CO., LTD. All Rights Reserved.
 In case of consideration for using Automotive equipment / device which demand high reliability, kindly contact our sales window correspondents.



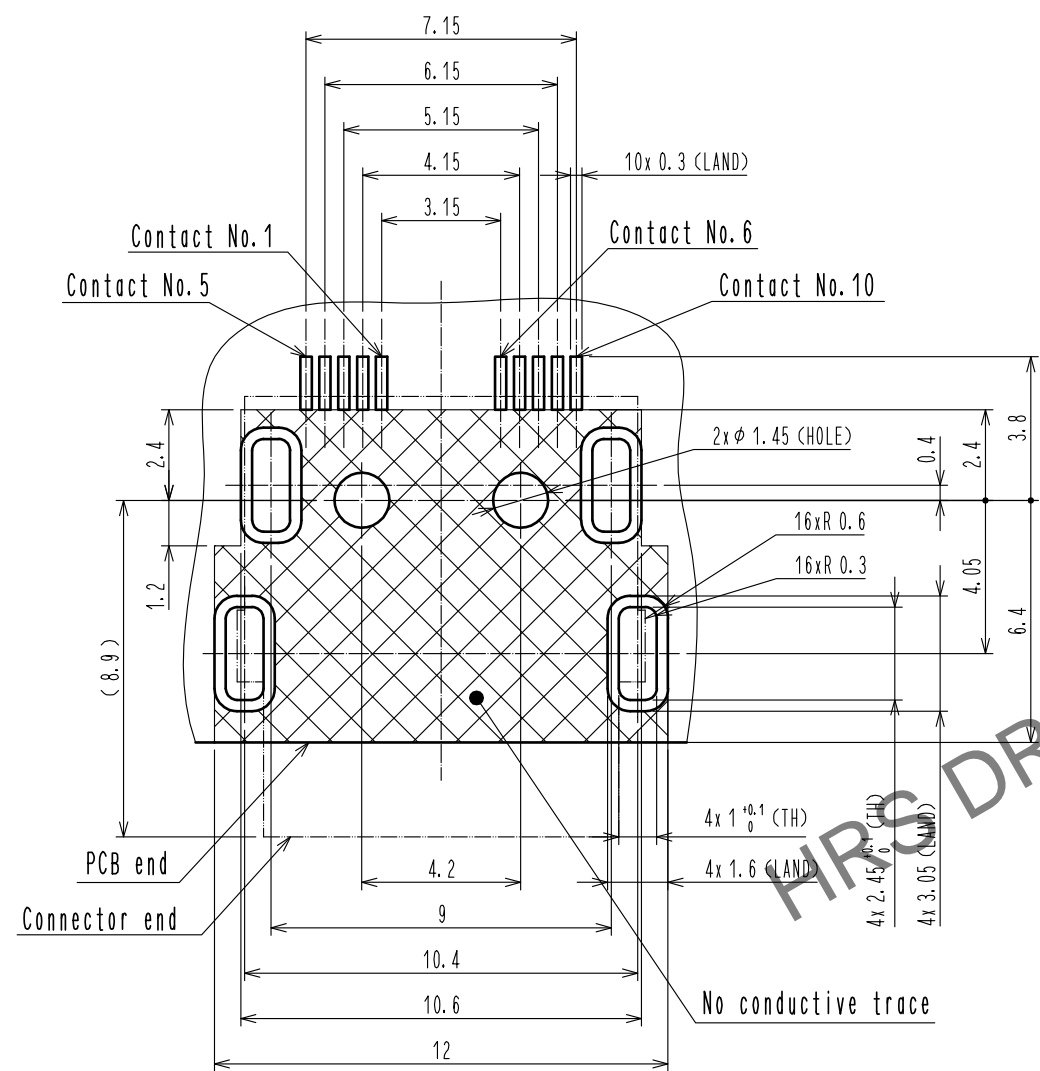
- Notes.
- 1 Co-planarity is within 0.1 mm.
 - 2 As for part No.5 the performance remains good even if there are rubbing wounds by the assembly process. And the performance remains good though there might be a difference in the plating luster between each plating lots.
 - 3 Per reel : 550 pcs.
 - 4 Refer to the mated condition diagram for the panel thickness and layout.
 - 5 This product is mounted by reflow soldering. Refer to specification sheet ELC-129411-01-00 for reflow soldering.

HRS DRAWING FOR REFERENCE

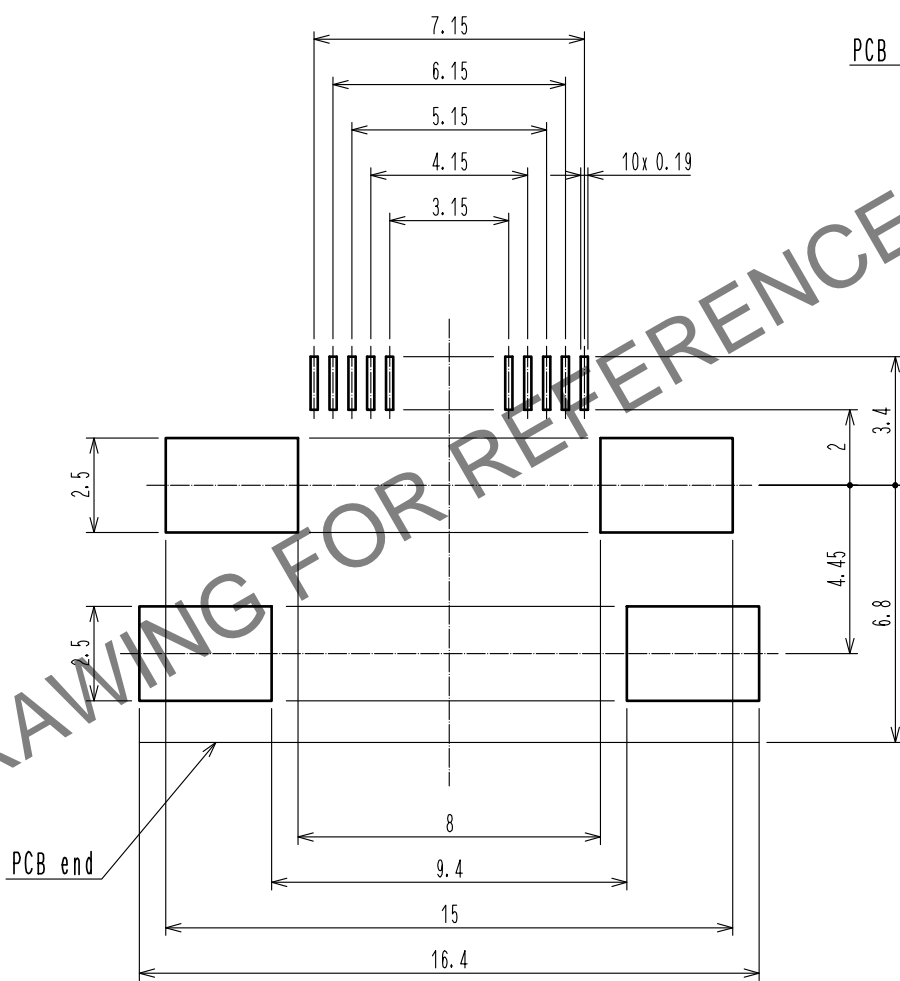
3	Stainless Steel		7	PE	
2	LCP	Gray, UL94V-0	6	PS	
1	Copper Alloy	Contact area : Palladium-Nickel 0.75 μm min. + Gold 0.05 μm min. Wiring area : Gold 0.03 μm min. Under plating : Nickel 2 μm min.	5	Stainless Steel	Surface : Tin 1 μm min. Under plating : Nickel 0.2 μm min.
			4	LCP	Gray, UL94V-0
NO.	MATERIAL	FINISH . REMARKS	NO.	MATERIAL	FINISH . REMARKS
UNITS mm		SCALE 5 : 1	COUNT 1	DESCRIPTION OF REVISIONS DIS-E-00003684	DESIGNED SN. TOYOSHIMA
					CHECKED KI. KAGOTANI
					DATE 20201215
HRS HIROSE ELECTRIC CO., LTD.		APPROVED : RI. TAKAYASU 20180913	DRAWING NO. EDC-129411-01-00		
		CHECKED : RI. TAKAYASU 20180913	PART NO. IX60G-B-10P(C01)		
		DESIGNED : TS. SAKAIZAWA 20180913	CODE NO. CL0251-0017-0-01		
		DRAWN : TS. SAKAIZAWA 20180913	1/3		

Jul.1.2024 Copyright 2024 HIROSE ELECTRIC CO., LTD. All Rights Reserved.
 In case of consideration for using Automotive equipment / device which demand high reliability, kindly contact our sales window correspondents.

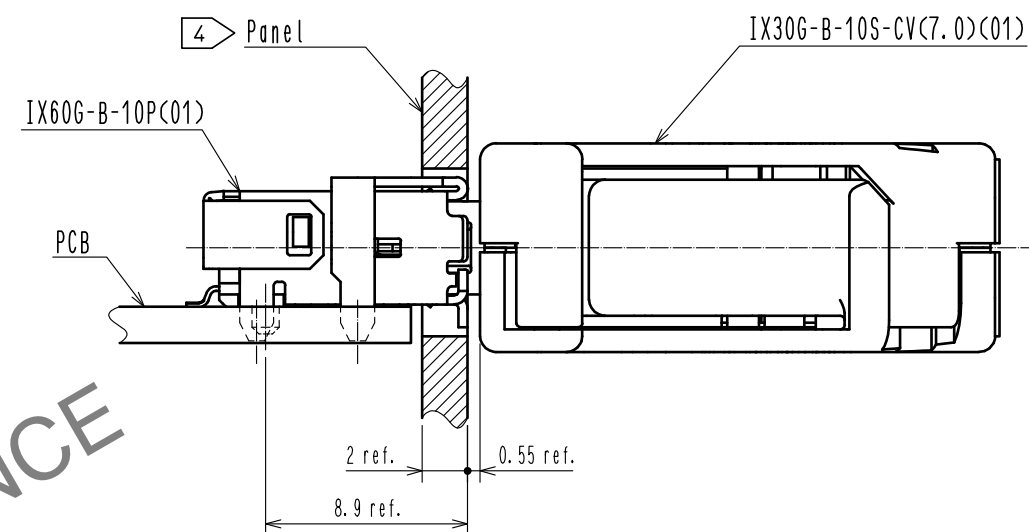
Reference PCB Layout (Connector Mounting Side) (t = 1.6)



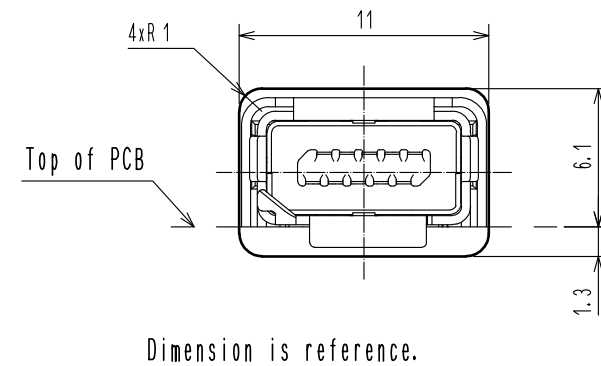
Reference Metal Mask Layout (t = 0.15)



Mated Condition (Free)



Reference Dimensions of Panel Cutout (Free)

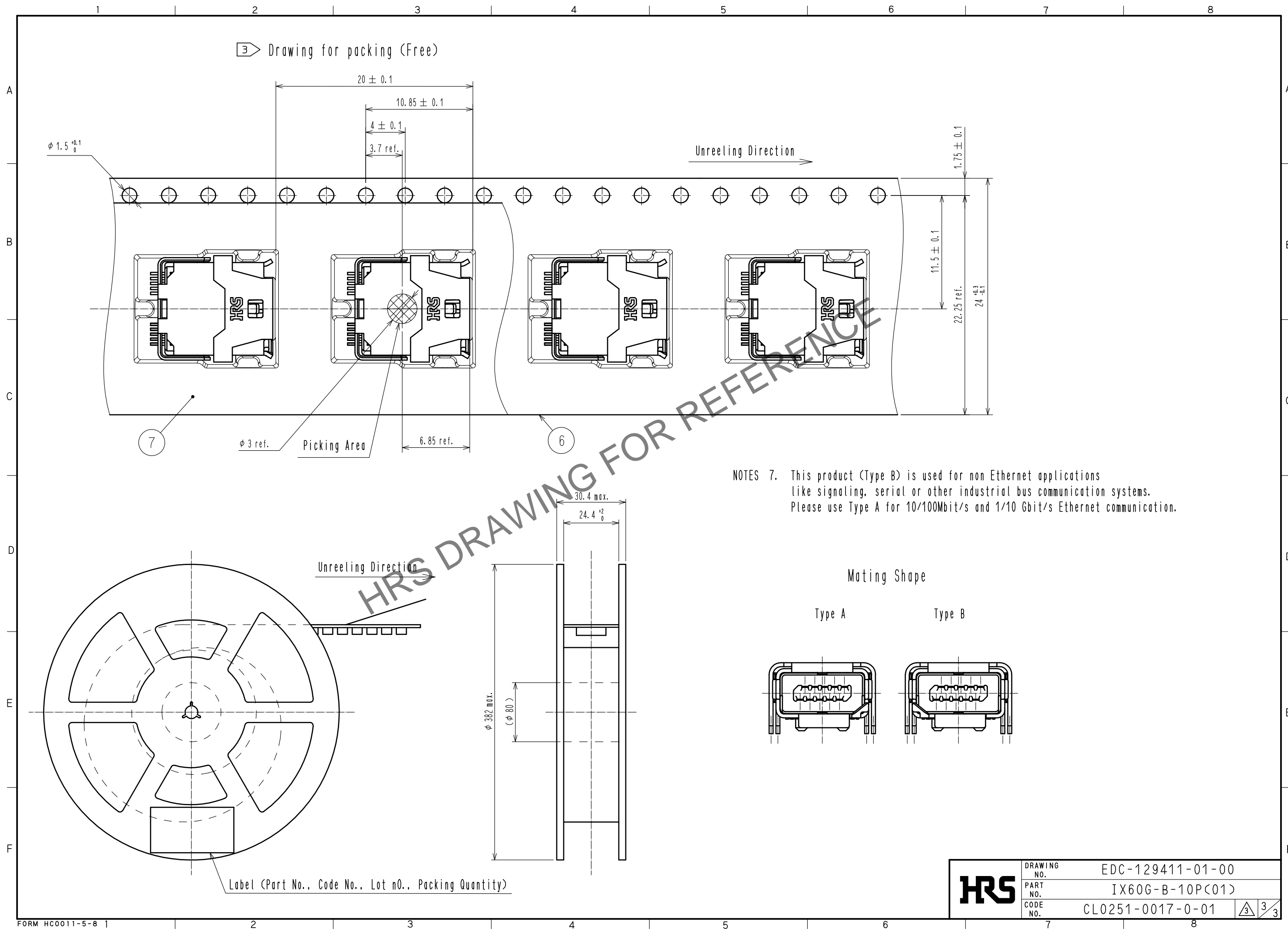


- 6 Thickness of metal mask is 0.1 mm min.
 Metal mask dimensions of the drawings described, are reference dimensions for 0.15 mm thickness metal mask.
 Change the metal mask dimensions by thickness of the metal mask, thickness of PCB, component of solder paste and mounting conditions.
 Change the metal mask dimensions in case of mounting IX60G-+-10P in parallel.
 Change the metal mask dimensions, if there are other mounting parts or implementation pattern around the portion of mounting position of IX60G-+-10P.

3 (Deleted)

HRS	DRAWING NO.	EDC-129411-01-00	3/2
	PART NO.	IX60G-B-10P(C01)	
	CODE NO.	CL0251-0017-0-01	

Jul.1.2024 Copyright 2024 HIROSE ELECTRIC CO., LTD. All Rights Reserved.
 In case of consideration for using Automotive equipment / device which demand high reliability, kindly contact our sales window correspondents.



NOTES 7. This product (Type B) is used for non Ethernet applications like signaling, serial or other industrial bus communication systems. Please use Type A for 10/100Mbit/s and 1/10 Gbit/s Ethernet communication.

HRS	DRAWING NO.	EDC-129411-01-00	3/3
	PART NO.	IX60G-B-10P(01)	
	CODE NO.	CL0251-0017-0-01	