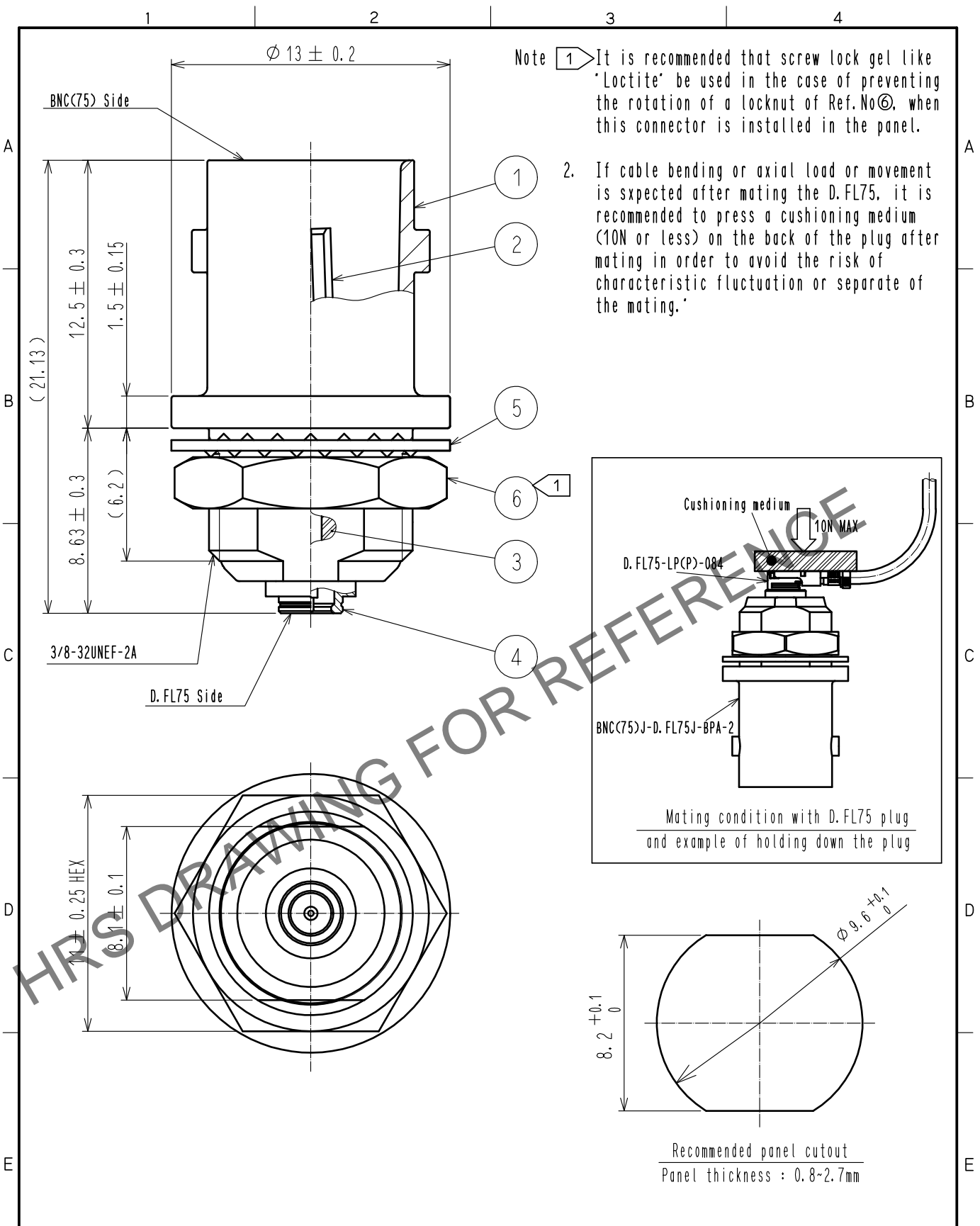
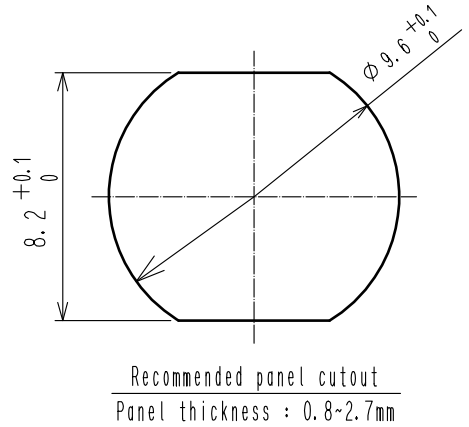
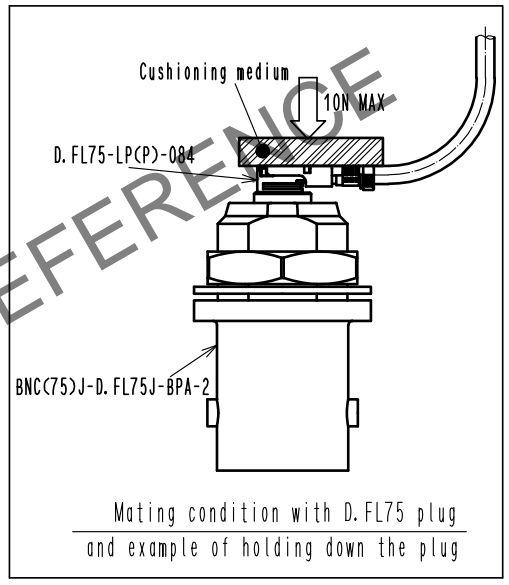


Mar.1.2025 Copyright 2025 HIROSE ELECTRIC CO., LTD. All Rights Reserved.  
In case of consideration for using Automotive equipment / device which demand high reliability, kindly contact our sales window correspondents.



Note ① It is recommended that screw lock gel like 'Loctite' be used in the case of preventing the rotation of a locknut of Ref.No⑥, when this connector is installed in the panel.

2. If cable bending or axial load or movement is expected after mating the D.FL75, it is recommended to press a cushioning medium (10N or less) on the back of the plug after mating in order to avoid the risk of characteristic fluctuation or separate of the mating.'



3	PTFE		6	Brass	Nickel plating		
2	Phosphor bronze	Gold plating	5	Copper	Nickel plating		
1	Zinc alloy	Nickel plating	4	Brass	Nickel plating		
NO.	MATERIAL	FINISH . REMARKS	NO.	MATERIAL	FINISH . REMARKS		
UNITS mm		SCALE 4 : 1	COUNT 	DESCRIPTION OF REVISIONS	DESIGNED	CHECKED	DATE
HIROSE ELECTRIC CO., LTD.		APPROVED :NK. NINOMIYA	20240117	DRAWING NO.	EDC-401043-00-00		
		CHECKED :NK. NINOMIYA	20240117	PART NO.	BNC(75)J-D.FL75J-BPA-2		
		DESIGNED :MK. INOUE	20240117	CODE NO.	CL0311-0039-0-00		
		DRAWN :MK. INOUE	20240117		1/1		