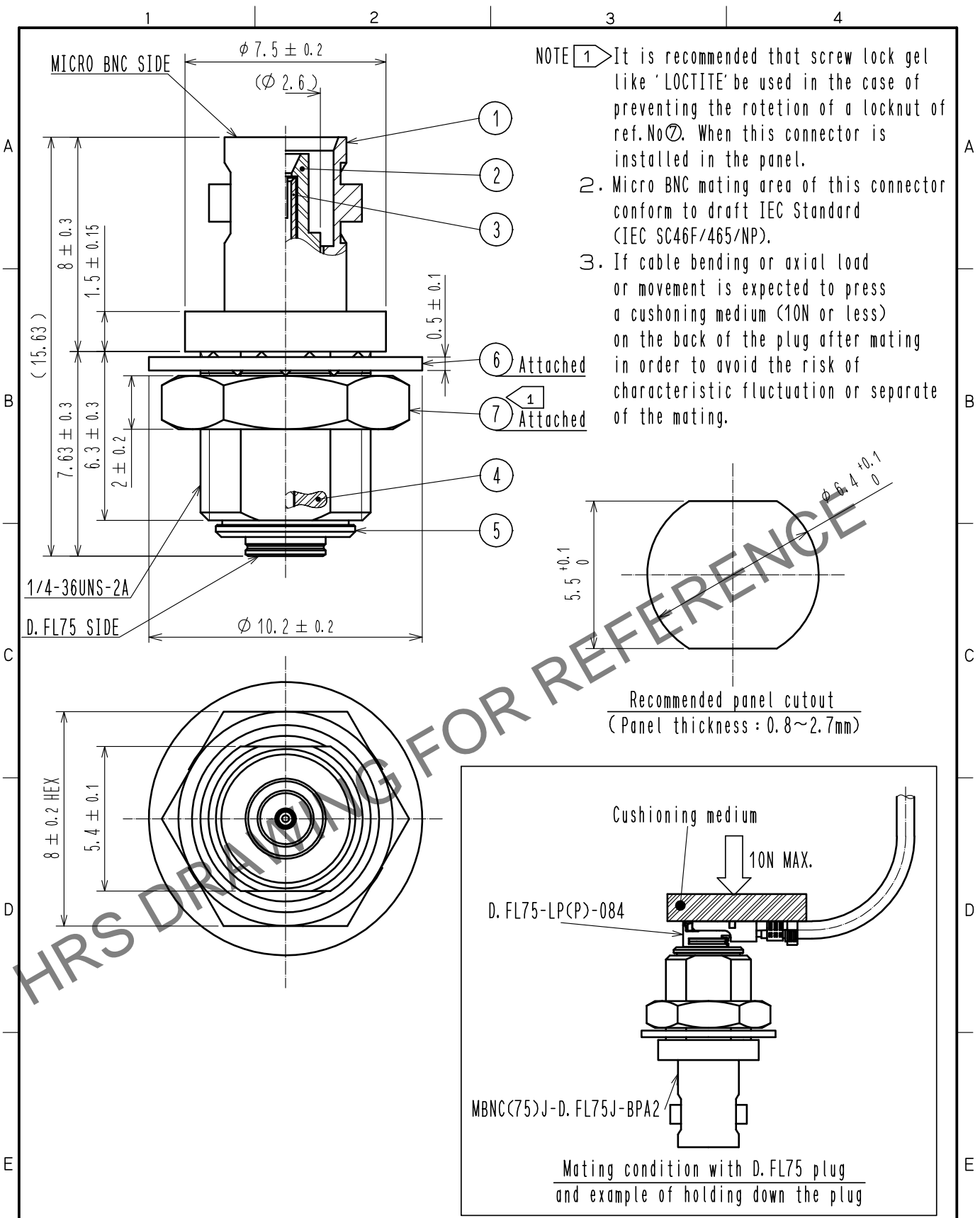


Nov.1.2024 Copyright 2024 HIROSE ELECTRIC CO., LTD. All Rights Reserved.
In case of consideration for using Automotive equipment / device which demand high reliability, kindly contact our sales window correspondents.



4	PTFE						
3	PHOSPHOR BRONZE	GOLD PLATING		7	BRASS	NICKEL PLATING	
2	PTFE			6	PHOSPHOR BRONZE	NICKEL PLATING	
1	BRASS	NICKEL PLATING		5	BRASS	NICKEL PLATING	
NO.	MATERIAL	FINISH	REMARKS	NO.	MATERIAL	FINISH	REMARKS
UNITS mm		SCALE 5 : 1	COUNT 	DESCRIPTION OF REVISIONS		DESIGNED	CHECKED
HIROSE ELECTRIC CO., LTD.		APPROVED : NK. NINOMIYA	20241010	DRAWING NO.		EDC-402857-00-01	
		CHECKED : NK. NINOMIYA	20241010	PART NO.		MBNC(75)J-D. FL75J-BPA2	
		DESIGNED : SR. AIHARA	20241010	CODE NO.		CL0311-0042-0-00	
		DRAWN : SR. AIHARA	20241010			1/1	