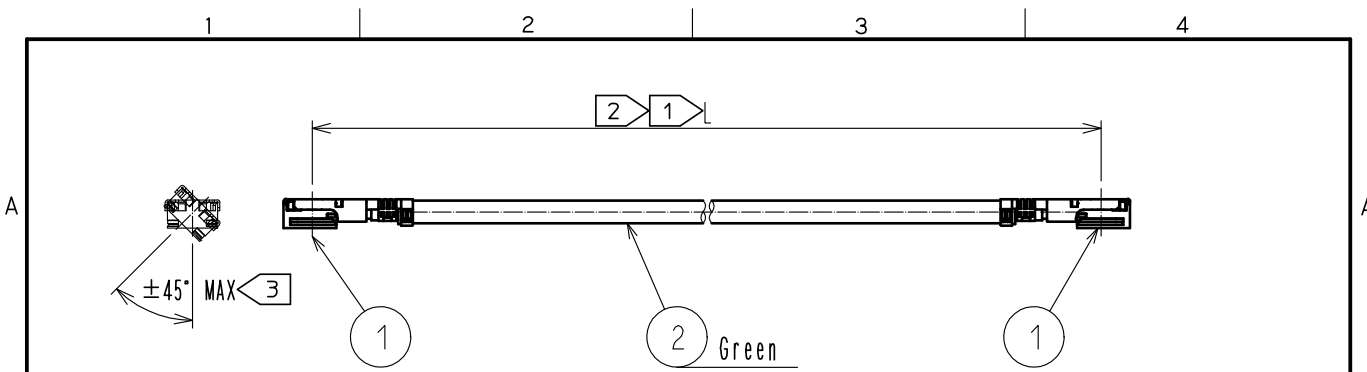


Mar.1.2025 Copyright 2025 HIROSE ELECTRIC CO., LTD. All Rights Reserved.
 In case of consideration for using Automotive equipment / device which demand high reliability, kindly contact our sales window correspondents.



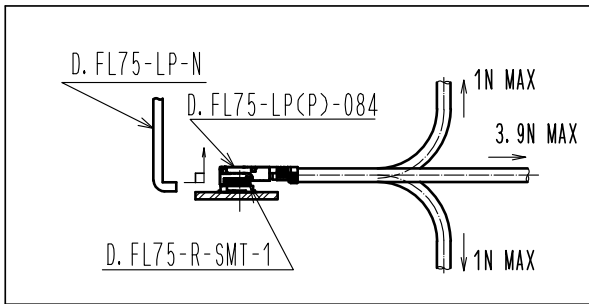
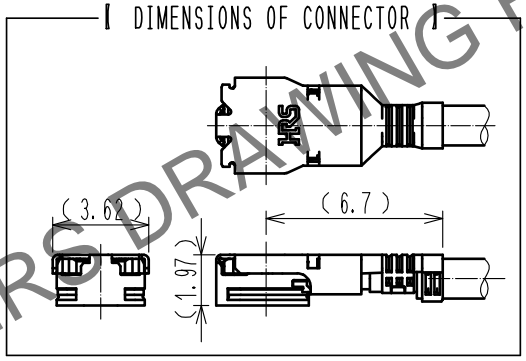
NOTE ① We indicate the length of the harness on the last of product name, 'L' part.

② Tolerance for [L]

Length L [mm]	Tolerance [mm]
50 ≦ L ≦ 200	±4
200 < L ≦ 500	±8
500 < L ≦ 1000	±12
1000 < L	±1.5%

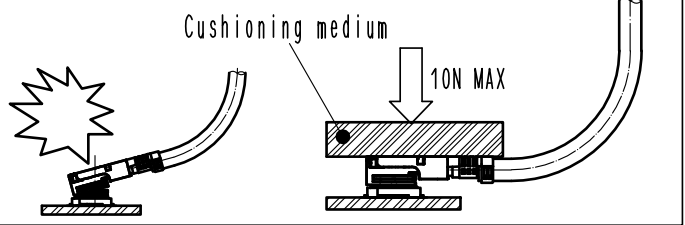
③ Connector rotation angle is within ±45 degree from the above image. For long length in the case of L > 500, the angle is optional.

4. Specifications are subject to change without notice.



[PRECAUTIONS FOR HANDLING]

- ◆ Connector insertion and extraction
 - a. Connector shall be extracted vertically by specialised extraction JIG. Part No. :D.FL75-LP-N. Never hold the cable when extracting the cable because it damages the connector.
 - b. Insert the connector as perpendicularly to the mating surface as possible by aligning the mating axes of both connectors. Do not excessively slant the connectors when inserting.
- ⚠ Allowable loads on the cable after the connectors are mated. The left figure below show the maximum allowable loadson the cable. Do not apply loads exceeding these values to the cable.
- ◆ Please don't apply the power of the direction which lifts a cable. There is a danger that the inserted-in plug will Separate. When you perform wiring which curves a cable as shown in the middle figure below, please be careful.
- ◆ In the case of short products (100mm or less) or when the cable is bent during routing, it is recommended to press a cushioning medium (10N or less) on the back of the plug after mating in order to avoid the risk of characteristic fluctuation or separate of the mating.



HALOGEN FREE

1	D.FL75-LP(P)-084	CL331-0078-0-00	2	1.5Dia coaxical cable (Green)			
NO.	PART NO.	CODE NO.	NO.	PART NO.			
UNITS mm		SCALE FREE	COUNT 1	DESCRIPTION OF REVISIONS DIS-D-00010015	DESIGNED YK. KIUCHI	CHECKED MT. KANEKO	DATE 20211209
HIROSE ELECTRIC CO., LTD.		APPROVED :NK. NINOMIYA	20200131	DRAWING NO.			
		CHECKED :NK. NINOMIYA	20200131	PART NO.			
		DESIGNED :YK. KIUCHI	20200131	D.FL75-2LPP-084N9D-A-L			
		DRAWN :YK. KIUCHI	20200131	CODE NO.			
				1/1			