

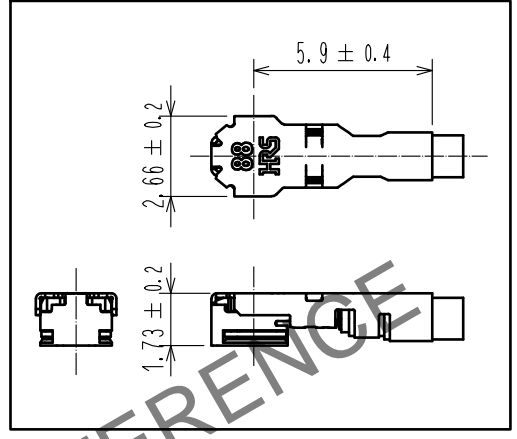
NOTE 1 We indicate the length of the harness on the last of product name, "L" part.

2 The angle is optional for long length in the case of  $L > 250$ .

3 Tolerance for [L]

| Length L [mm]         | Tolerance [mm] |
|-----------------------|----------------|
| $100 \leq L \leq 200$ | $\pm 4$ mm     |
| $200 < L \leq 500$    | $\pm 8$ mm     |
| $500 < L \leq 1000$   | $\pm 12$ mm    |

**【 DIMENSIONS OF CONNECTOR 】**



⚠️ \* For L longer than 1000mm or shorter than 100mm, please contact our representatives.

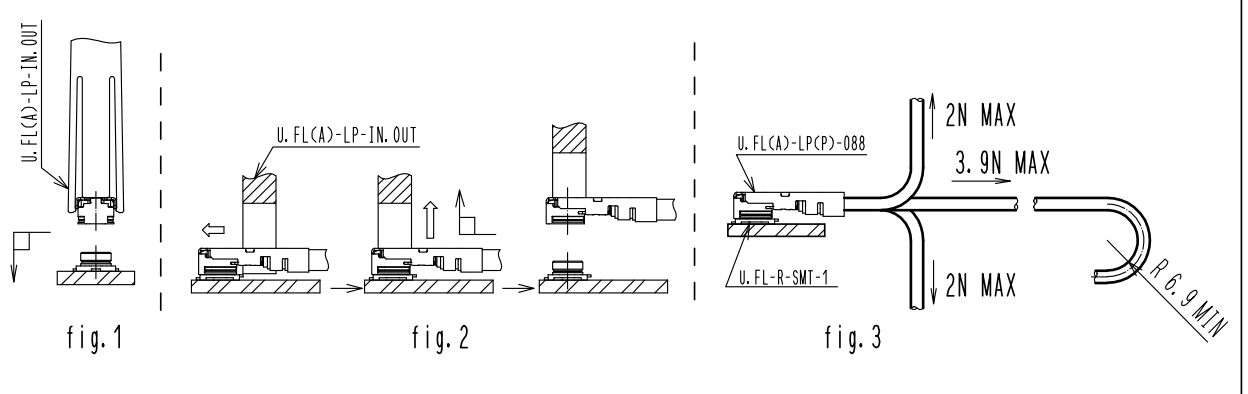
4. Specifications are subject to change without notice.

**【 PRECAUTIONS FOR HANDLING 】**

- Connector insertion and extraction
  - Insert the connector as perpendicularly to the mating surface as possible with aligning the mating axes of both connectors by specialised insertion JIG. Part No.: U.FL(A)-LP-IN.OUT(CL331-2401-0) (fig.1)
    - Do not excessively slant the connectors when inserting.
  - Connector shall be extracted by specialised extraction JIG. Part No.: U.FL(A)-LP-IN.OUT(CL331-2401-0) (fig.2)
    - Never hold the cable when extracting the cable because it damages the connector.
- Allowable loads on the cable after the connectors are mated.
 

The below figures show the maximum allowable loads on the cable. (fig.3)

  - Do not apply loads exceeding these values to the cable.



|     |                   |              |     |                         |
|-----|-------------------|--------------|-----|-------------------------|
| 1   | U.FL(A)-LP(P)-088 | CL331-2400-0 | 2   | 1.37 Dia. coaxial cable |
| No. | Part No.          | Code No.     | No. | Part No.                |

HALOGEN FREE

| UNITS<br>mm                      | SCALE<br>FREE | COUNT<br>2 | DESCRIPTION OF REVISIONS<br>DIS-D-00006986 | DESIGNED<br>MS. MATSUMOTO | CHECKED<br>MT. KANEKO | DATE<br>20210323 |
|----------------------------------|---------------|------------|--|---------------------------|-----------------------|------------------|
| APPROVED : NK. NINOMIYA 20200220 |               |            | DRAWING NO.                                |                           |                       |                  |
| CHECKED : MT. KANEKO 20200220    |               |            | PART NO. UFL-2LPA-088Y*T-A-L               |                           |                       |                  |
| DESIGNED : MK. INOUE 20200220    |               |            | CODE NO.                                   |                           |                       |                  |
| DRAWN : MK. INOUE 20200220       |               |            | 1/1  |                           |                       |                  |