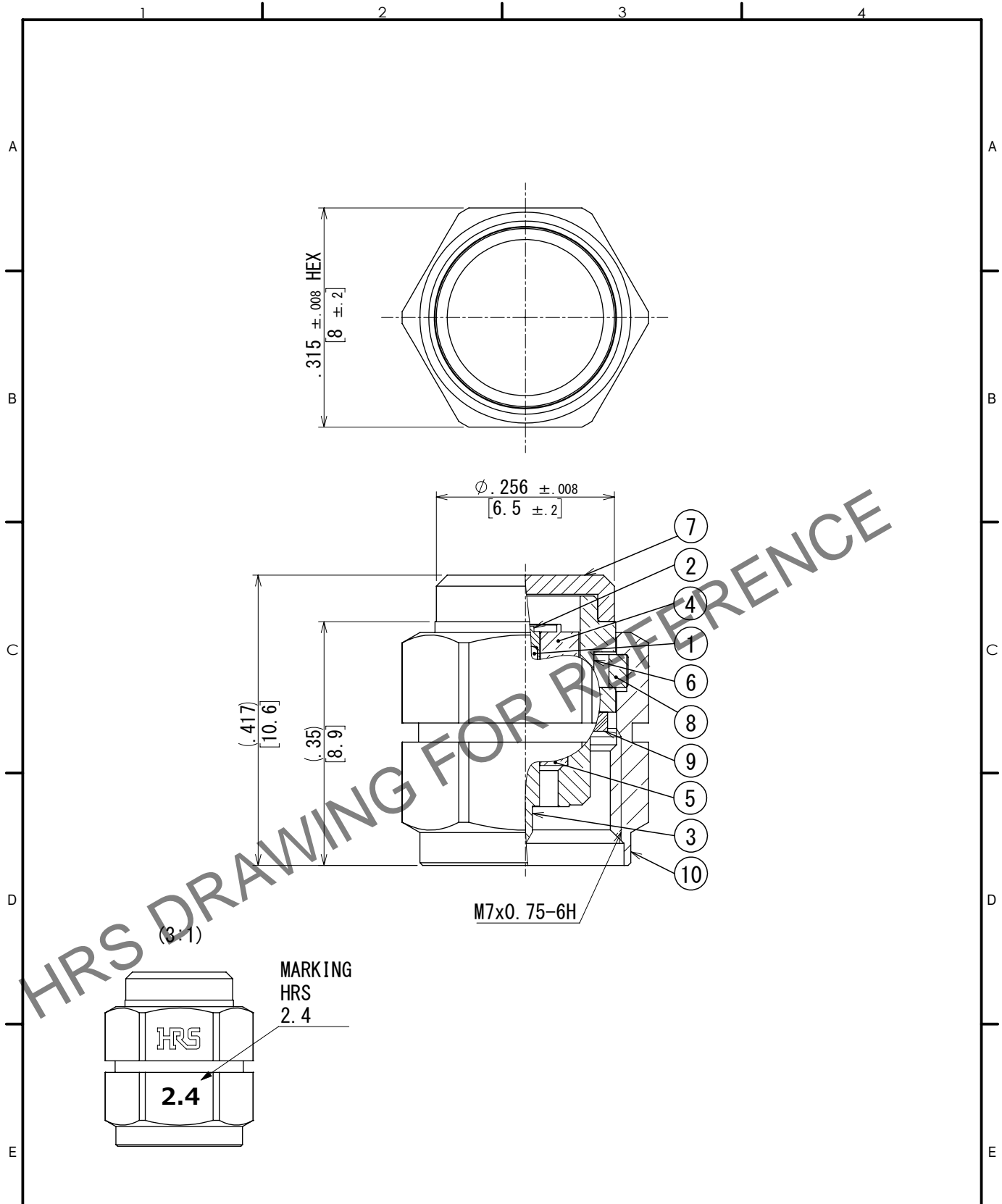


Mar.1.2024 Copyright 2024 HIROSE ELECTRIC CO., LTD. All Rights Reserved.  
 In case of consideration for using Automotive equipment / device which demand high reliability, kindly contact our sales window correspondents.



5	PTFE		10	STAINLESS STEEL	PASSIVATE		
4	BRASS	GOLD PLATING	9	SILICONE RUBBER			
3	BRASS	GOLD PLATING	8	BERYLLIUM COPPER	NICKEL PLATING		
2	BRASS	GOLD PLATING	7	BRASS	NICKEL PLATING		
1	RESISTOR	50 OHMS	6	STAINLESS STEEL	PASSIVATE		
NO.	MATERIAL	FINISH	REMARKS	NO.	MATERIAL	FINISH	REMARKS

HIROSE ELECTRIC CO., LTD.	APPROVED : TS. NAKAGAWA 2021. 06. 01	DRAWING NO. EDC-393908-00-00 PART NO. H2. 4-TMP CODE NO. CL0353-0174-0-00
	CHECKED : AH. MARUYAMA 2021. 06. 01	
	DESIGNED : TS. KANEKO 2021. 06. 01	SCALE 5:1 COUNT DESCRIPTION OF REVISIONS DESIGNED CHECKED DATE
	DRAWN : TS. KANEKO 2021. 06. 01	