

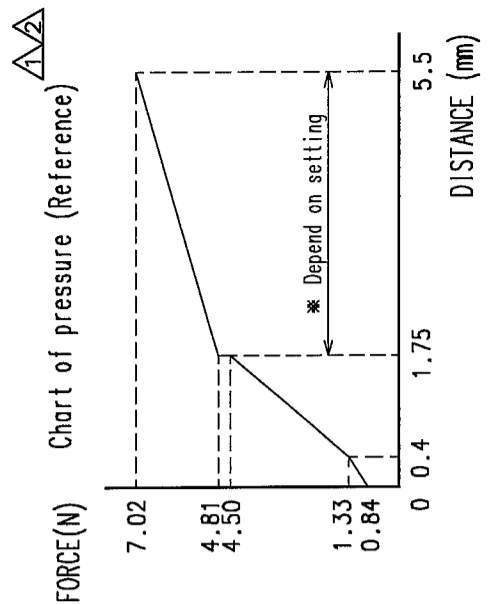
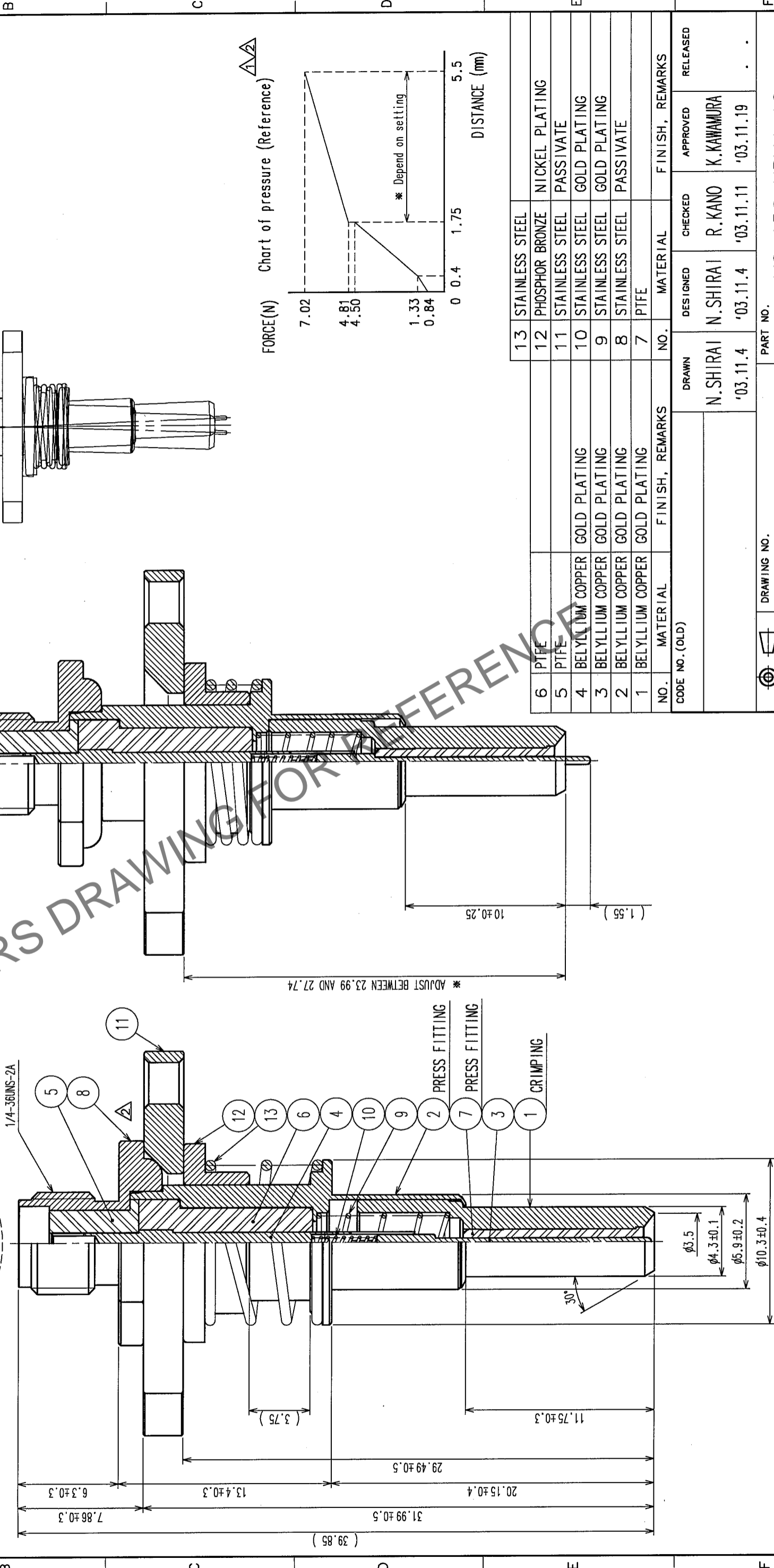
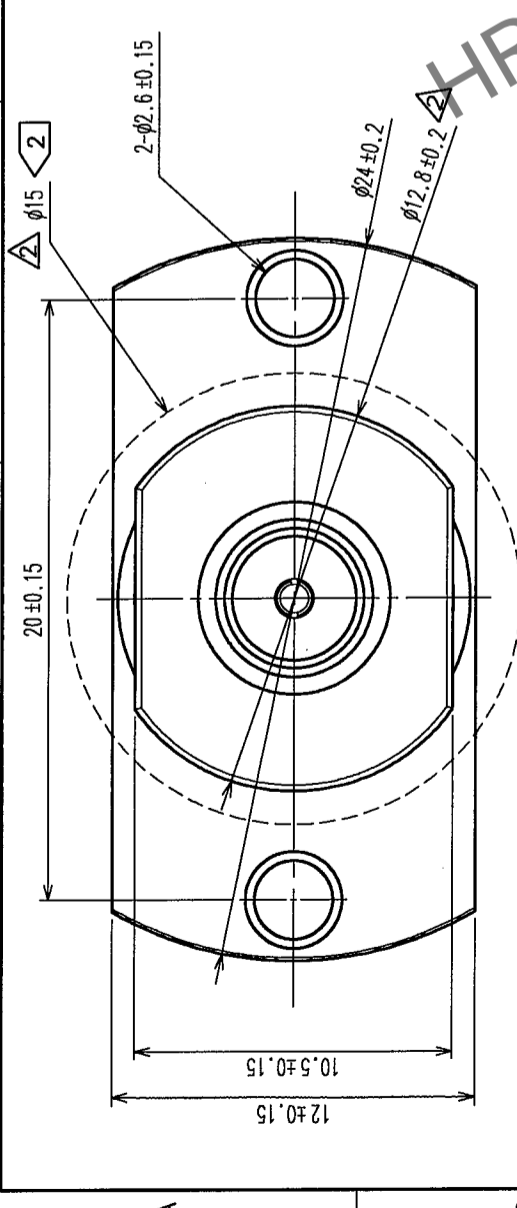
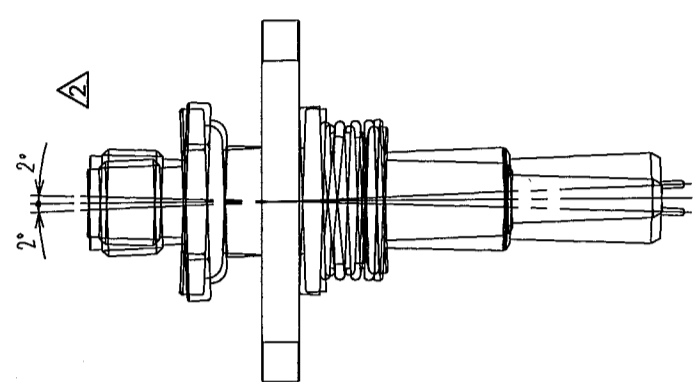
2 In case of consideration for using Automotive equipment / device which demand high reliability, kindly contact our sales window correspondents.

Jul.1.2024 Copyright 2024 HIROSE ELECTRIC CO., LTD. All Rights Reserved.

COUNT	DESCRIPTION OF REVISIONS	BY	CHKD	DATE	COUNT	DESCRIPTION OF REVISIONS	BY	CHKD	DATE
1	RE-J-02130	N.S.R.K		'04.2.9					
5	RE-J-02188	N.S.R.K		'04.6.21					

1 FIGURE 1 (2:1)

FLOATING AMOUNT ±0.75mm



NO.	MATERIAL	FINISH, REMARKS	NO.	MATERIAL	FINISH, REMARKS
6	PTFE		13	STAINLESS STEEL	
5	PTFE		12	PHOSPHOR BRONZE	NICKEL PLATING
4	BERYLLIUM COPPER	GOLD PLATING	11	STAINLESS STEEL	PASSIVATE
3	BERYLLIUM COPPER	GOLD PLATING	10	STAINLESS STEEL	GOLD PLATING
2	BERYLLIUM COPPER	GOLD PLATING	9	STAINLESS STEEL	GOLD PLATING
1	BERYLLIUM COPPER	GOLD PLATING	8	STAINLESS STEEL	PASSIVATE
			7	PTFE	

CODE NO. (OLD)	DRAWN	DESIGNED	CHECKED	APPROVED	RELEASED
	N. SHIRAI	N. SHIRAI	R. KANO	K. KAWAMURA	
	'03.11.4	'03.11.4	'03.11.11	'03.11.19	

DRAWING NO.	PART NO.
EDC3-180384	MS-156-HRMJ-12

SCALE	UNITS	CODE NO.
4 : 1	MM	CL358-0196-6

NOTE 1 Mating angle which is less than 2 degree is acceptable. (Refer to fig.1)
2 No obstacles in this area.

TO	
RFD	