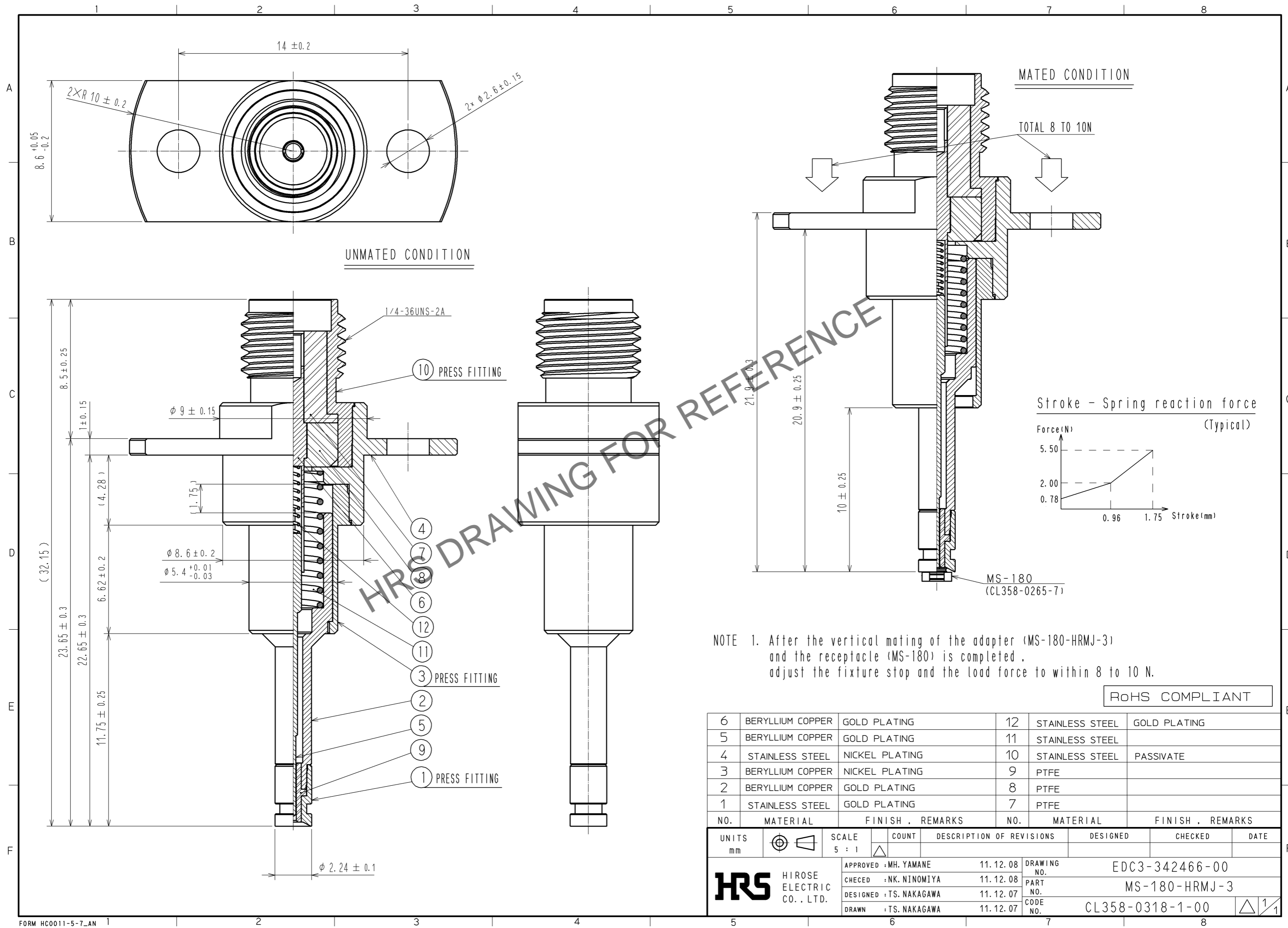


Jun.1.2024 Copyright 2024 HIROSE ELECTRIC CO., LTD. All Rights Reserved.  
In case of consideration for using Automotive equipment / device which demand high reliability, kindly contact our sales window correspondents.



NOTE 1. After the vertical mating of the adapter (MS-180-HRMJ-3) and the receptacle (MS-180) is completed, adjust the fixture stop and the load force to within 8 to 10 N.

RoHS COMPLIANT

NO.	MATERIAL	FINISH . REMARKS	NO.	MATERIAL	FINISH . REMARKS
6	BERYLLIUM COPPER	GOLD PLATING	12	STAINLESS STEEL	GOLD PLATING
5	BERYLLIUM COPPER	GOLD PLATING	11	STAINLESS STEEL	
4	STAINLESS STEEL	NICKEL PLATING	10	STAINLESS STEEL	PASSIVATE
3	BERYLLIUM COPPER	NICKEL PLATING	9	PTFE	
2	BERYLLIUM COPPER	GOLD PLATING	8	PTFE	
1	STAINLESS STEEL	GOLD PLATING	7	PTFE	

UNITS	SCALE	COUNT	DESCRIPTION OF REVISIONS	DESIGNED	CHECKED	DATE
mm	5 : 1	△				
APPROVED : MH. YAMANE			11.12.08	DRAWING NO. EDC3-342466-00		
CHECKED : NK. NINOMIYA			11.12.08	PART NO. MS-180-HRMJ-3		
DESIGNED : TS. NAKAGAWA			11.12.07	CODE NO. CL358-0318-1-00		
DRAWN : TS. NAKAGAWA			11.12.07	△ 1/1		