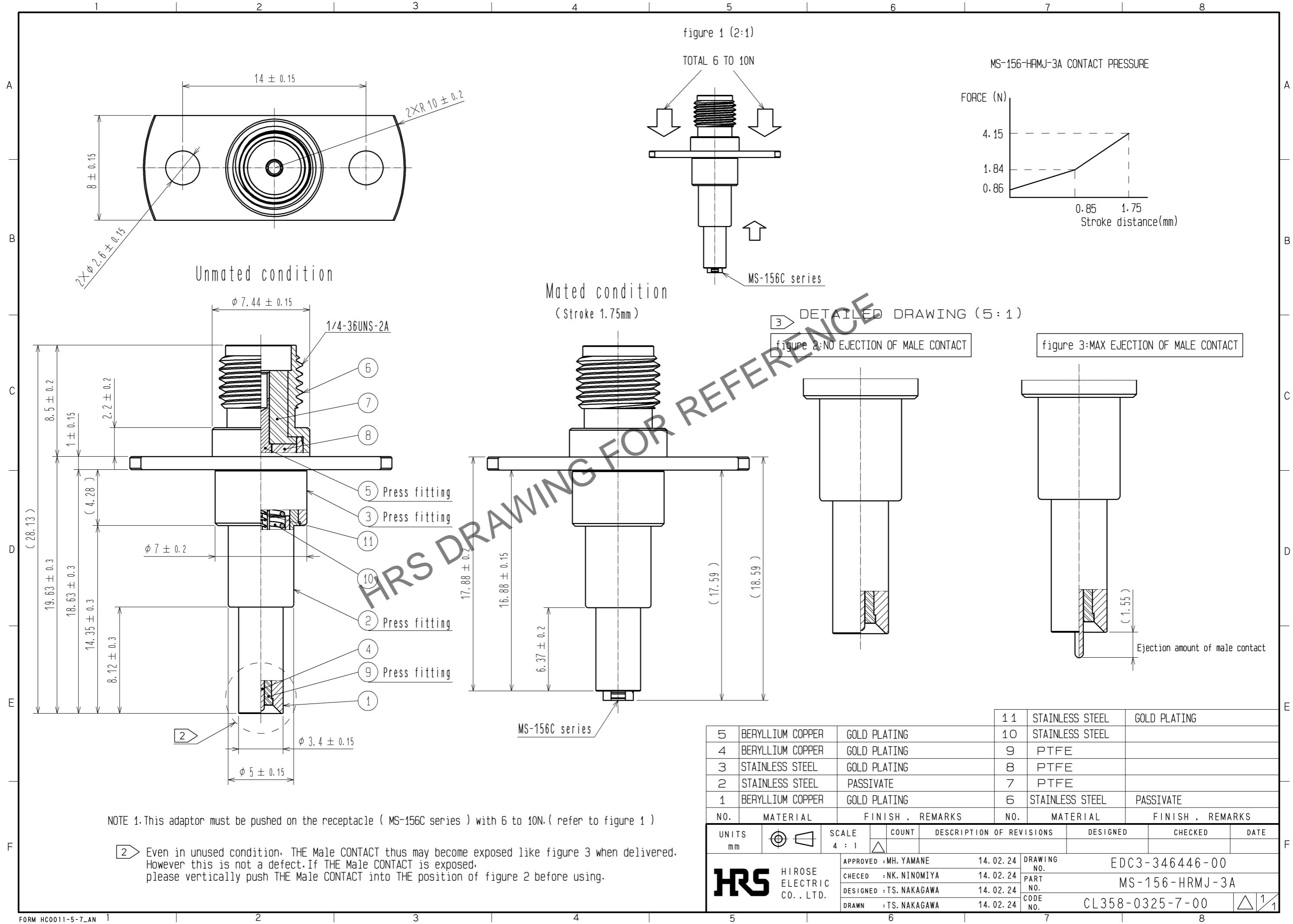


Jul.1.2024 Copyright 2024 HIROSE ELECTRIC CO., LTD. All Rights Reserved.
 In case of consideration for using Automotive equipment / device which demand high reliability, kindly contact our sales window correspondents.



NOTE 1. This adaptor must be pushed on the receptacle (MS-156C series) with 6 to 10N. (refer to figure 1)

2 Even in unused condition, THE Male CONTACT thus may become exposed like figure 3 when delivered. However this is not a defect. If THE Male CONTACT is exposed, please vertically push THE Male CONTACT into THE position of figure 2 before using.

5	BERYLLIUM COPPER	GOLD PLATING	11	STAINLESS STEEL	GOLD PLATING
4	BERYLLIUM COPPER	GOLD PLATING	10	STAINLESS STEEL	
3	STAINLESS STEEL	GOLD PLATING	9	PTFE	
2	STAINLESS STEEL	PASSIVATE	8	PTFE	
1	BERYLLIUM COPPER	GOLD PLATING	7	PTFE	
			6	STAINLESS STEEL	PASSIVATE
NO.	MATERIAL	FINISH . REMARKS	NO.	MATERIAL	FINISH . REMARKS

UNITS mm		SCALE 4 : 1	COUNT 	DESCRIPTION OF REVISIONS	DESIGNED	CHECKED	DATE
APPROVED : MH. YAMANE 14.02.24				DRAWING NO.	EDC3-346446-00		
CHECKED : NK. NINOMIYA 14.02.24				PART NO.	MS-156-HRMJ-3A		
DESIGNED : TS. NAKAGAWA 14.02.24				CODE NO.	CL358-0325-7-00		
DRAWN : TS. NAKAGAWA 14.02.24				1/1			