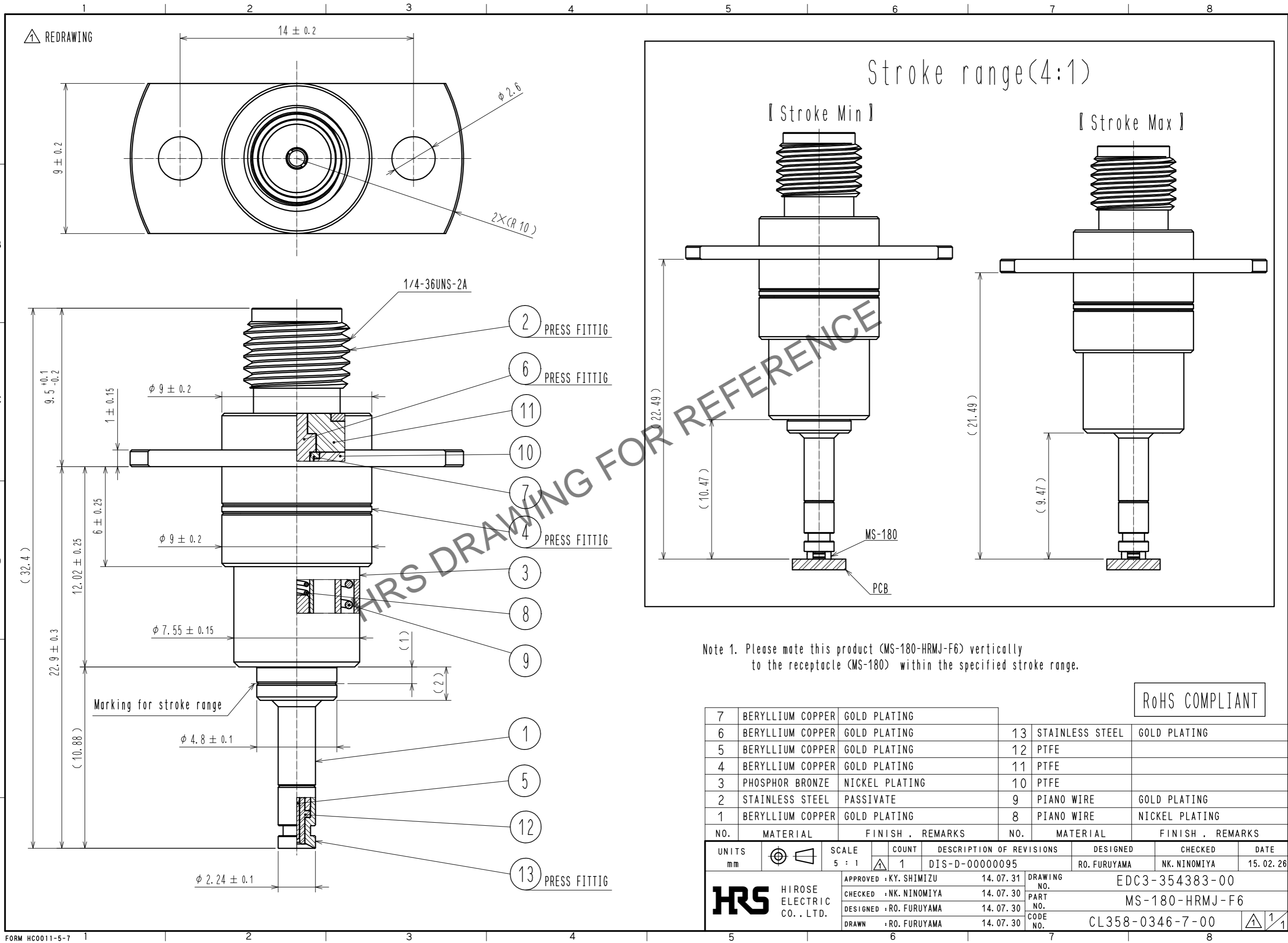


Jun.1.2024 Copyright 2024 HIROSE ELECTRIC CO., LTD. All Rights Reserved.
In case of consideration for using Automotive equipment / device which demand high reliability, kindly contact our sales window correspondents.



Note 1. Please mate this product (MS-180-HRMJ-F6) vertically to the receptacle (MS-180) within the specified stroke range.

RoHS COMPLIANT

NO.	MATERIAL	FINISH .	REMARKS	NO.	MATERIAL	FINISH .	REMARKS
7	BERYLLIUM COPPER	GOLD PLATING		13	STAINLESS STEEL	GOLD PLATING	
6	BERYLLIUM COPPER	GOLD PLATING		12	PTFE		
5	BERYLLIUM COPPER	GOLD PLATING		11	PTFE		
4	BERYLLIUM COPPER	GOLD PLATING		10	PTFE		
3	PHOSPHOR BRONZE	NICKEL PLATING		9	PIANO WIRE	GOLD PLATING	
2	STAINLESS STEEL	PASSIVATE		8	PIANO WIRE	NICKEL PLATING	
1	BERYLLIUM COPPER	GOLD PLATING					

UNITS mm		SCALE 5 : 1	COUNT 1	DESCRIPTION OF REVISIONS DIS-D-00000095	DESIGNED RO. FURUYAMA	CHECKED NK. NINOMIYA	DATE 15.02.26
APPROVED : KY. SHIMIZU 14.07.31				DRAWING NO. EDC3-354383-00			
CHECKED : NK. NINOMIYA 14.07.30				PART NO. MS-180-HRMJ-F6			
DESIGNED : RO. FURUYAMA 14.07.30				CODE NO. CL358-0346-7-00			
DRAWN : RO. FURUYAMA 14.07.30							