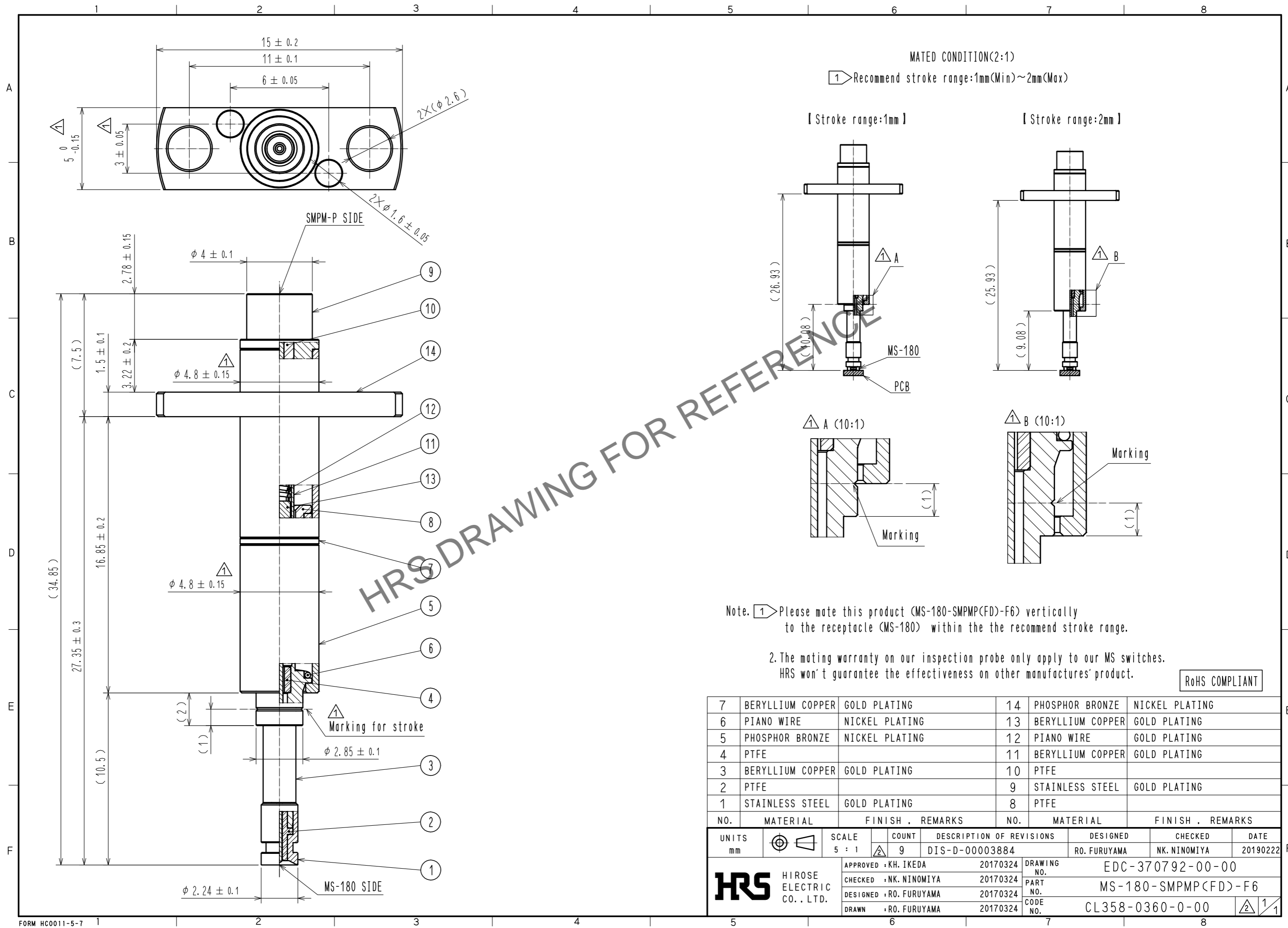


Jun.1.2024 Copyright 2024 HIROSE ELECTRIC CO., LTD. All Rights Reserved.  
 In case of consideration for using Automotive equipment / device which demand high reliability, kindly contact our sales window correspondents.



Note. 1 Please mate this product (MS-180-SMPMP(FD)-F6) vertically to the receptacle (MS-180) within the the recommend stroke range.

2. The mating warranty on our inspection probe only apply to our MS switches. HRS won't guarantee the effectiveness on other manufactures' product.

RoHS COMPLIANT

7	BERYLLIUM COPPER	GOLD PLATING	14	PHOSPHOR BRONZE	NICKEL PLATING
6	PIANO WIRE	NICKEL PLATING	13	BERYLLIUM COPPER	GOLD PLATING
5	PHOSPHOR BRONZE	NICKEL PLATING	12	PIANO WIRE	GOLD PLATING
4	PTFE		11	BERYLLIUM COPPER	GOLD PLATING
3	BERYLLIUM COPPER	GOLD PLATING	10	PTFE	
2	PTFE		9	STAINLESS STEEL	GOLD PLATING
1	STAINLESS STEEL	GOLD PLATING	8	PTFE	
NO.	MATERIAL	FINISH . REMARKS	NO.	MATERIAL	FINISH . REMARKS

UNITS mm		SCALE 5 : 1	COUNT 9	DESCRIPTION OF REVISIONS DIS-D-00003884	DESIGNED RO. FURUYAMA	CHECKED NK. NINOMIYA	DATE 20190222
APPROVED : KH. IKEDA 20170324				DRAWING NO. EDC-370792-00-00			
CHECKED : NK. NINOMIYA 20170324				PART NO. MS-180-SMPMP(FD)-F6			
DESIGNED : RO. FURUYAMA 20170324				CODE NO. CL358-0360-0-00			
DRAWN : RO. FURUYAMA 20170324				1/1			