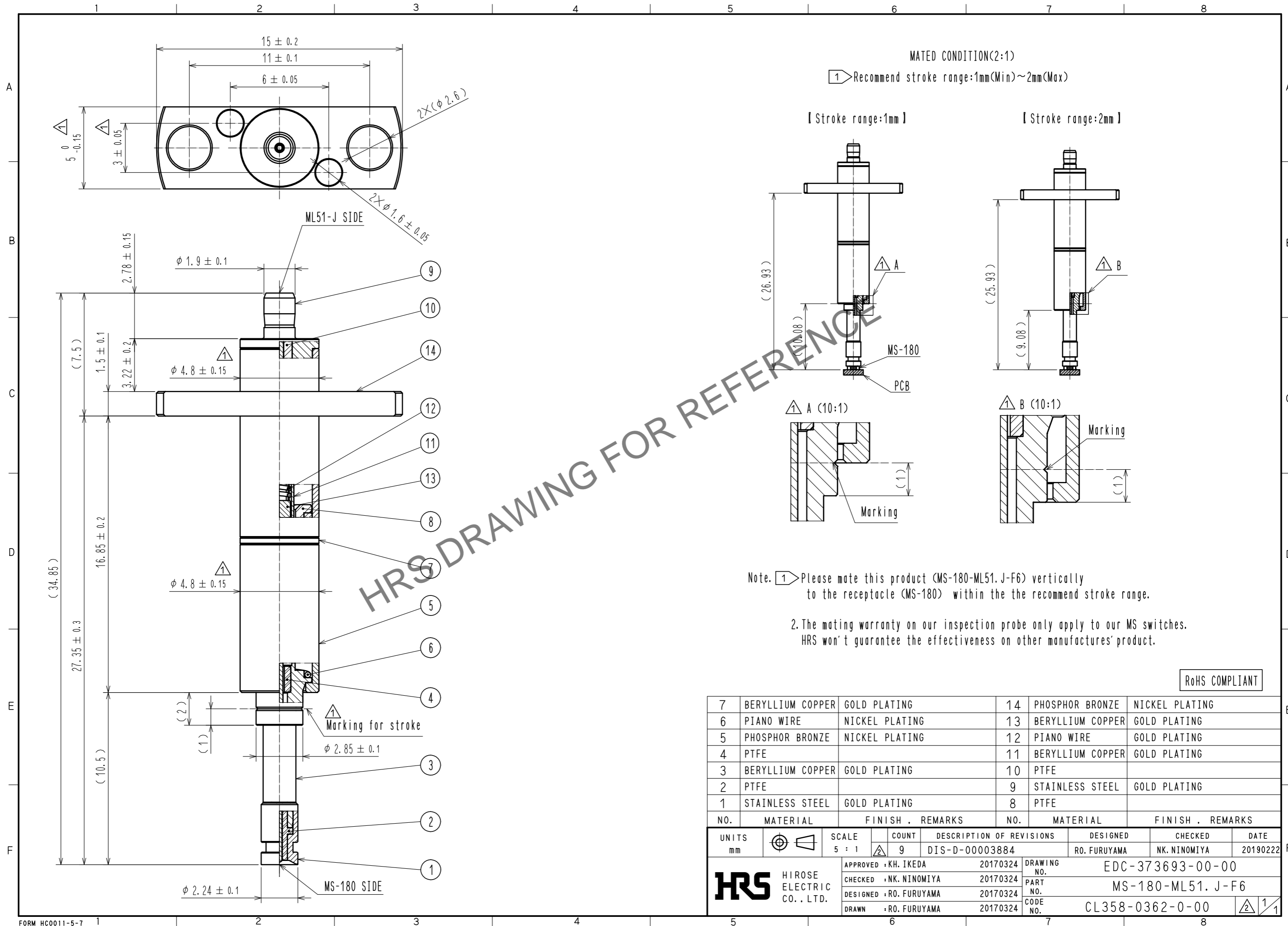


May.1.2024 Copyright 2024 HIROSE ELECTRIC CO., LTD. All Rights Reserved.  
In case of consideration for using Automotive equipment / device which demand high reliability, kindly contact our sales window correspondents.



HRS DRAWING FOR REFERENCE

7	BERYLLIUM COPPER	GOLD PLATING	14	PHOSPHOR BRONZE	NICKEL PLATING
6	PIANO WIRE	NICKEL PLATING	13	BERYLLIUM COPPER	GOLD PLATING
5	PHOSPHOR BRONZE	NICKEL PLATING	12	PIANO WIRE	GOLD PLATING
4	PTFE		11	BERYLLIUM COPPER	GOLD PLATING
3	BERYLLIUM COPPER	GOLD PLATING	10	PTFE	
2	PTFE		9	STAINLESS STEEL	GOLD PLATING
1	STAINLESS STEEL	GOLD PLATING	8	PTFE	
NO.	MATERIAL	FINISH . REMARKS	NO.	MATERIAL	FINISH . REMARKS

UNITS mm		SCALE 5 : 1	COUNT 9	DESCRIPTION OF REVISIONS DIS-D-00003884	DESIGNED RO. FURUYAMA	CHECKED NK. NINOMIYA	DATE 20190222
APPROVED : KH. IKEDA 20170324				DRAWING NO. EDC-373693-00-00			
CHECKED : NK. NINOMIYA 20170324				PART NO. MS-180-ML51. J-F6			
DESIGNED : RO. FURUYAMA 20170324				CODE NO. CL358-0362-0-00			
DRAWN : RO. FURUYAMA 20170324				1/1			

RoHS COMPLIANT