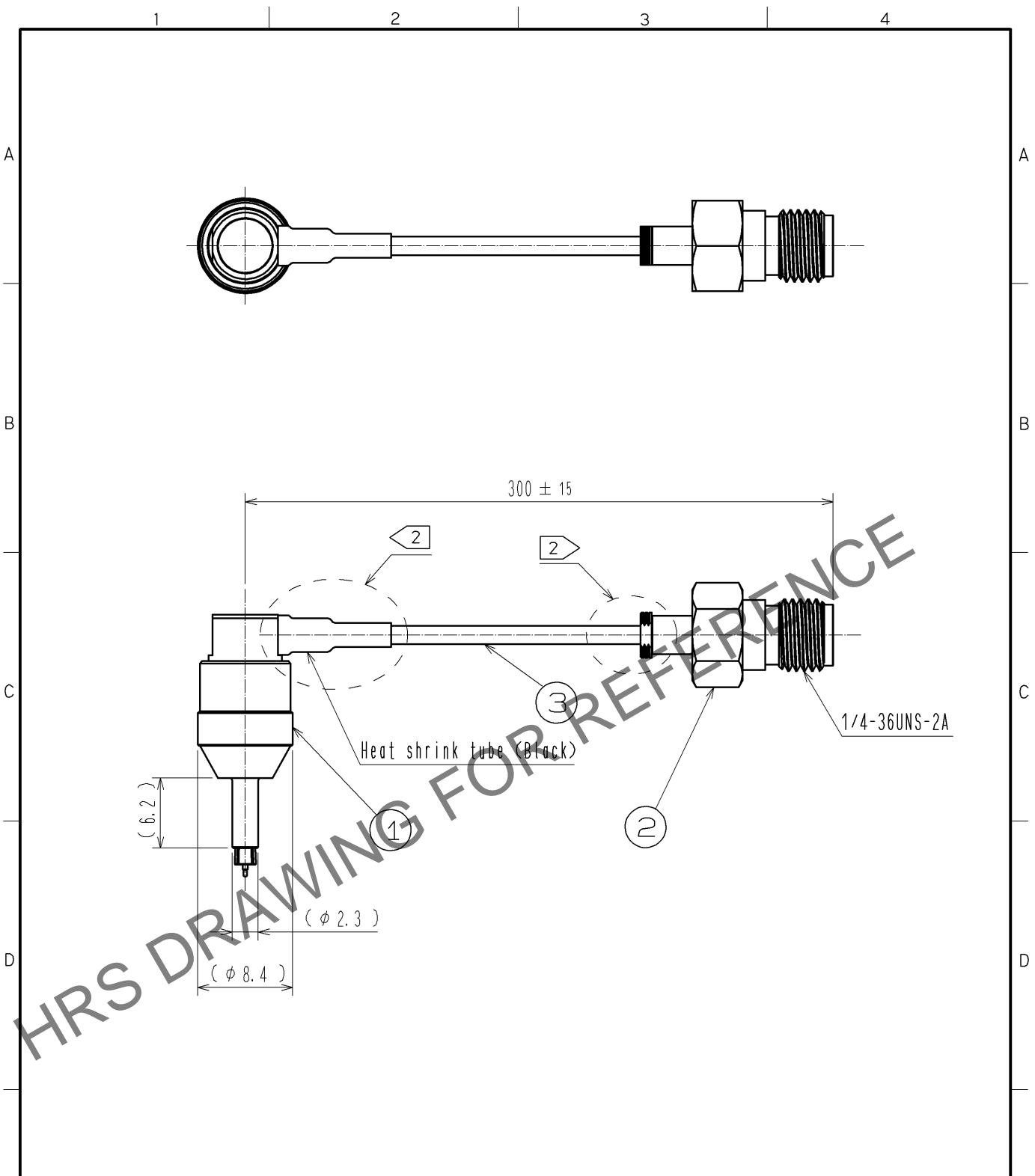


Jun.1.2024 Copyright 2024 HIROSE ELECTRIC CO., LTD. All Rights Reserved.  
 In case of consideration for using Automotive equipment / device which demand high reliability, kindly contact our sales window correspondents.



Note 1 Lead-Free Solder (Sn3.0Ag0.5Cu) is used.  
 2 Please do not overload the cable assembly portion of A when removing the connector.

2	HRM-200-088JBN(40)							
1	MS-180-088LP-H1		3	Coaxial Cable	DFS111-UL1979			
NO.	MATERIAL	FINISH .	REMARKS	NO.	MATERIAL	FINISH .	REMARKS	
UNITS mm		SCALE FREE	COUNT 	DESCRIPTION OF REVISIONS		DESIGNED	CHECKED	DATE
<b>HRS</b> HIROSE ELECTRIC CO., LTD.	APPROVED : KY. SHIMIZU	10.08.05	DRAWING NO.	EDC4-180960-00				
	CHECKED : TY. OZAKI	10.08.05	PART NO.	MS180LH1-HRMJ-088V300				
	DESIGNED : TS. NAKAGAWA	10.08.05	CODE NO.	CL362-0165-1-00				
	DRAWN : TS. NAKAGAWA	10.08.05		1/1				