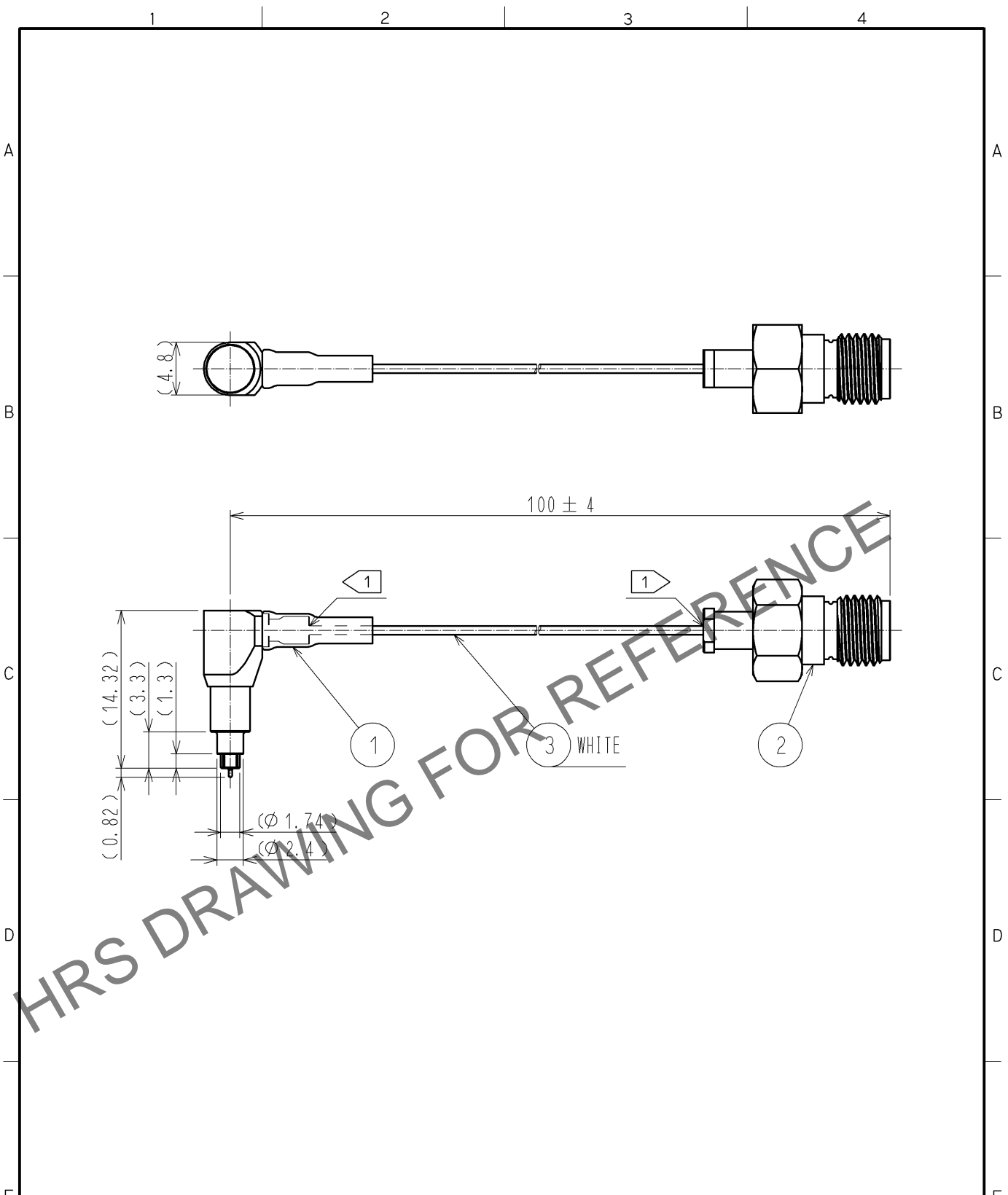


Apr.1.2024 Copyright 2024 HIROSE ELECTRIC CO., LTD. All Rights Reserved.
 In case of consideration for using Automotive equipment / device which demand high reliability, kindly contact our sales window correspondents.



HRS DRAWING FOR REFERENCE

NOTE 1 Do not apply any excessive stress to the cable assembly position.

RoHS COMPLIANT

2	HRM-200-040JBN(40)	CL323-0792-9-40			
1	MS-180-040LP-H3	CL358-0319-4-00	3	RF-MF5010(WHITE)	NISSEI ELECTRIC CO., LTD.
NO.	PART NO.	CODE NO.	NO.	PART NO.	MANUFACTURER

UNITS mm		SCALE FREE	COUNT 	DESCRIPTION OF REVISIONS	DESIGNED	CHECKED	DATE
HRS HIROSE ELECTRIC CO., LTD.		APPROVED : TS. NOBE	14. 02. 26	DRAWING NO.	EDC4-349312-01		
		CHECKED : MT. KANEKO	14. 02. 25	PART NO.	MS180LH3-HRMJ-040V100		
		DESIGNED : MS. MATSUMOTO	14. 02. 25	CODE NO.	CL362-0224-9-01	1/1	
		DRAWN : MS. MATSUMOTO	14. 02. 25				