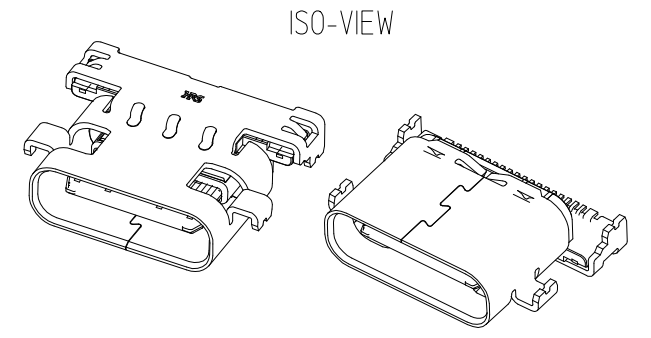
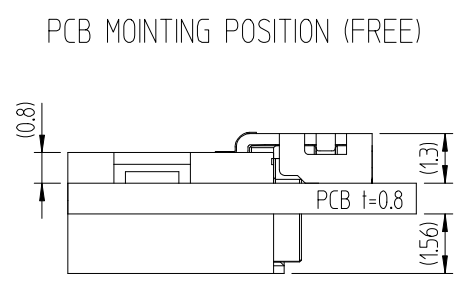
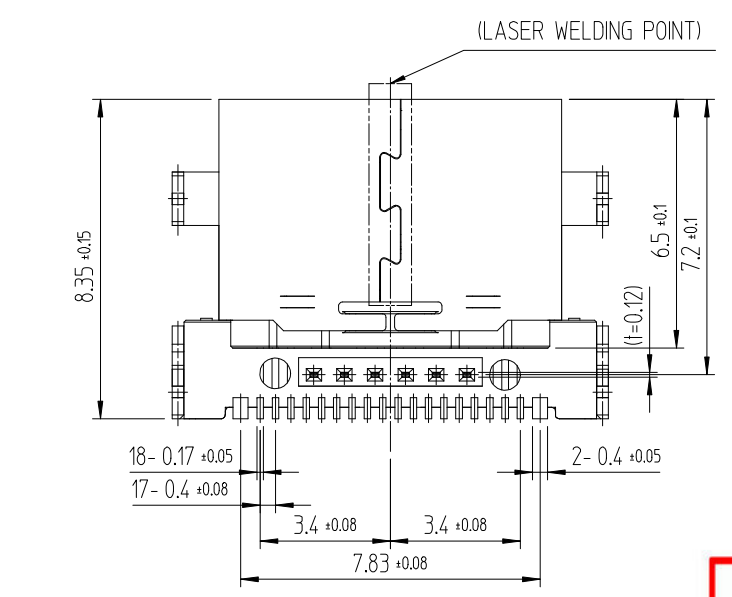
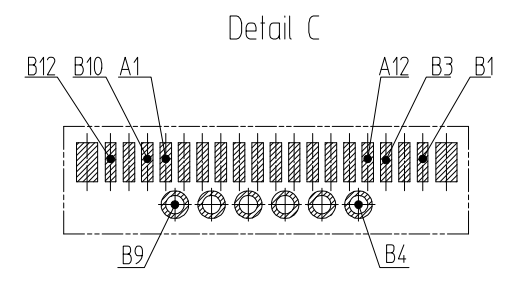
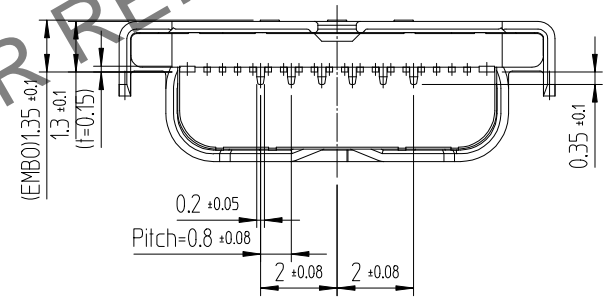
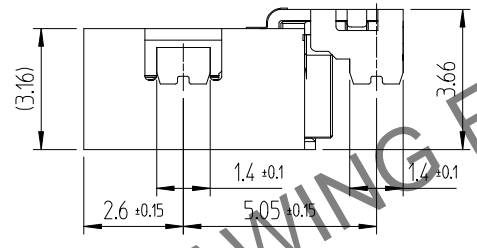
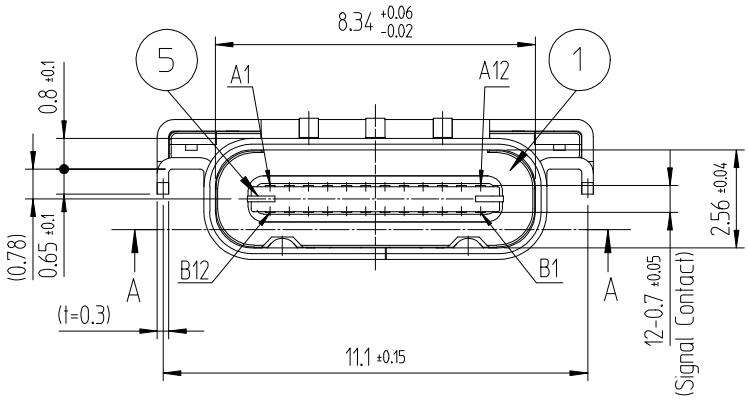
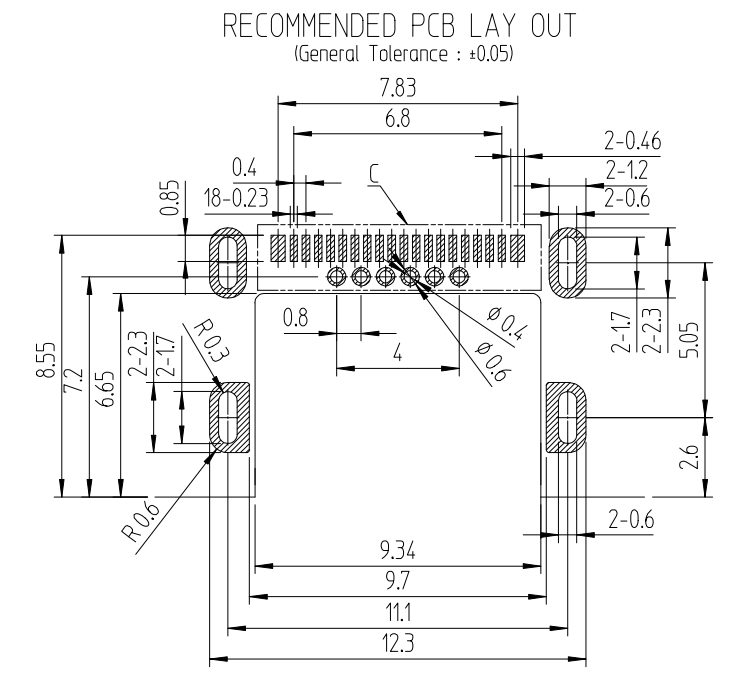
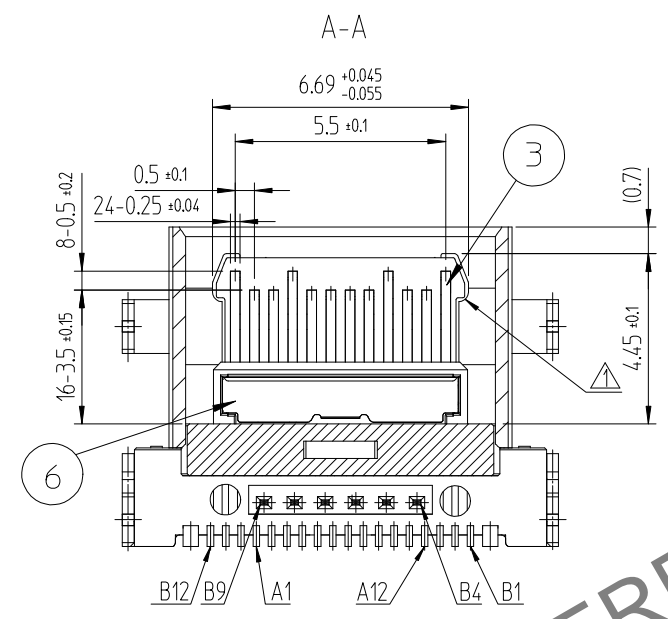
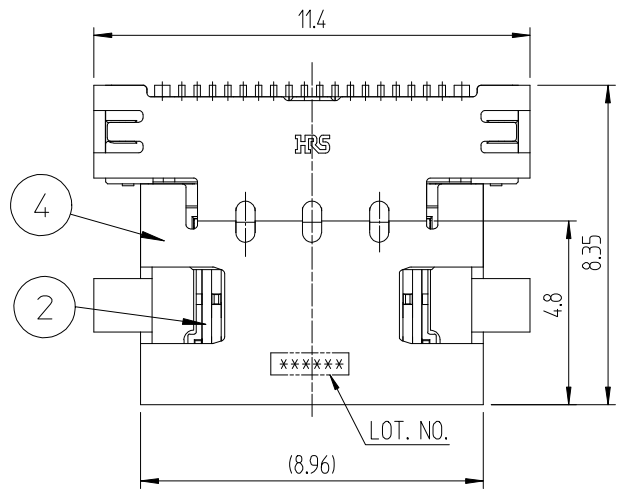


May.1.2024 Copyright 2024 HIROSE ELECTRIC CO., LTD. All Rights Reserved.
In case of consideration for using Automotive equipment / device which demand high reliability, kindly contact our sales window correspondents.

△數 COUNT	訂正事項 DISCRIPTION OF REVISIONS	擔當 B	檢圖 CHKD	年月日 DATE	△數 COUNT	訂正事項 DISCRIPTION OF REVISIONS	擔當 B	檢圖 CHKD	年月日 DATE
1	[RE-2-0831]	LCE	LHJ	15.12.10					



NOTE) 1. LEAD CO-PLANARITY SHALL BE 0.08MAX.
2. PER REEL : 1,500 CONNECTORS.
3. GENERAL TOLERANCE : ±0.15

4	STAINLESS STEEL	Ni1-5	8	PS	COVER TAPE
3	COPPER ALLOY	Contact : Ni1-5+Pd-Ni0.75Min+Au0.05Min Lead : Ni1-5+Au0.05Min	7	PS	EMBOSS CARRIER TAPE
2	COPPER ALLOY	Contact : Ni1-5+Pd-Ni0.75Min+Au0.05Min Lead : Ni1-5+Au0.05Min	6	STAINLESS STEEL	Ni1-5
1	LCP	UL94V-0,COLOR BLACK	5	STAINLESS STEEL	Other Ni1-5 / LEAD Ni1-5+Au 0.03Min
NO.	MATERIAL	FINISH,REMARKS	NO.	MATERIAL	FINISH,REMARKS

REMARK	DRAWN	DESIGNED	CHECKED	APPROVED	RELEASED
	C.E.LIM 15.09.04	C.E.LIM 15.09.04	H.J.LEE 15.09.04	T.SKANG 15.09.04	ENG 15.12.11 DEPT

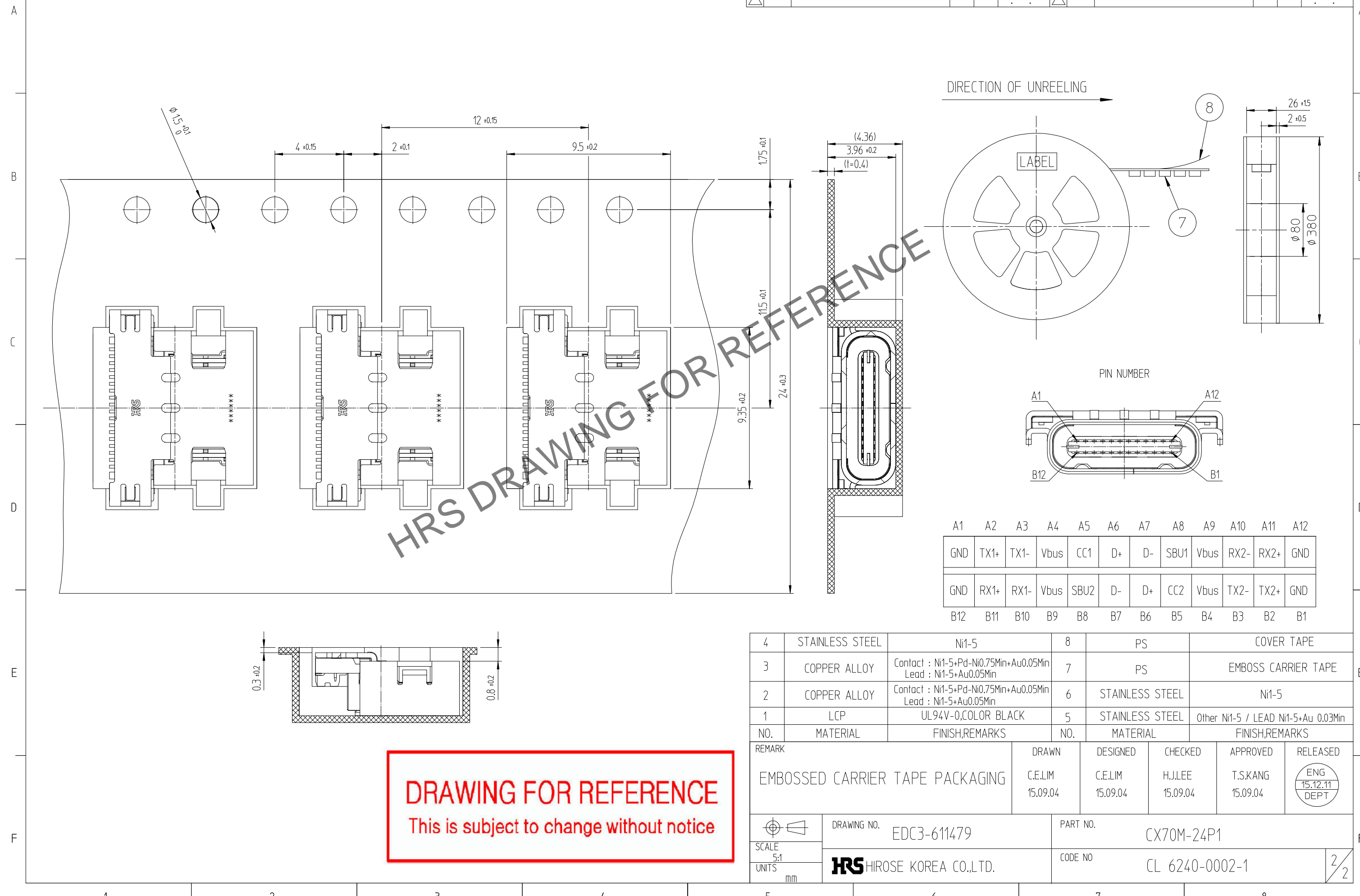
	DRAWING NO. EDC3-611479	PART NO. CX70M-24P1
SCALE 5:1 UNITS mm	HRS HIROSE KOREA CO.,LTD.	CODE NO CL 6240-0002-1

DRAWING FOR REFERENCE
This is subject to change without notice

HRS DRAWING FOR REFERENCE

May.1.2024 Copyright 2024 HIROSE ELECTRIC CO., LTD. All Rights Reserved.
In case of consideration for using Automotive equipment / device which demand high reliability, kindly contact our sales window correspondents.

△數 COUNT	訂正事項 DISCRIPTION OF REVISIONS	擔當 B	檢圖 CHKD	年月日 DATE	△數 COUNT	訂正事項 DISCRIPTION OF REVISIONS	擔當 B	檢圖 CHKD	年月日 DATE
△				. .	△				. .
△				. .	△				. .
△				. .	△				. .



DRAWING FOR REFERENCE

DRAWING FOR REFERENCE
This is subject to change without notice

A1	A2	A3	A4	A5	A6	A7	A8	A9	A10	A11	A12
GND	TX1+	TX1-	Vbus	CC1	D+	D-	SBU1	Vbus	RX2-	RX2+	GND
GND	RX1+	RX1-	Vbus	SBU2	D-	D+	CC2	Vbus	TX2-	TX2+	GND
B12	B11	B10	B9	B8	B7	B6	B5	B4	B3	B2	B1

4	STAINLESS STEEL	Ni1-5	8	PS	COVER TAPE
3	COPPER ALLOY	Contact : Ni1-5+Pd-Ni0.75Min+Au0.05Min Lead : Ni1-5+Au0.05Min	7	PS	EMBOSS CARRIER TAPE
2	COPPER ALLOY	Contact : Ni1-5+Pd-Ni0.75Min+Au0.05Min Lead : Ni1-5+Au0.05Min	6	STAINLESS STEEL	Ni1-5
1	LCP	UL94V-0,COLOR BLACK	5	STAINLESS STEEL	Other Ni1-5 / LEAD Ni1-5+Au 0.03Min
NO.	MATERIAL	FINISH,REMARKS	NO.	MATERIAL	FINISH,REMARKS
REMARK EMBOSS CARRIER TAPE PACKAGING			DRAWN C.E.LIM 15.09.04	DESIGNED C.E.LIM 15.09.04	CHECKED H.J.LEE 15.09.04
			APPROVED T.SKANG 15.09.04	RELEASED ENG 15.12.11 DEPT	
DRAWING NO. EDC3-611479			PART NO. CX70M-24P1		
SCALE 5:1 UNITS mm			CODE NO CL 6240-0002-1		
HRS HIROSE KOREA CO.,LTD.			2/2		